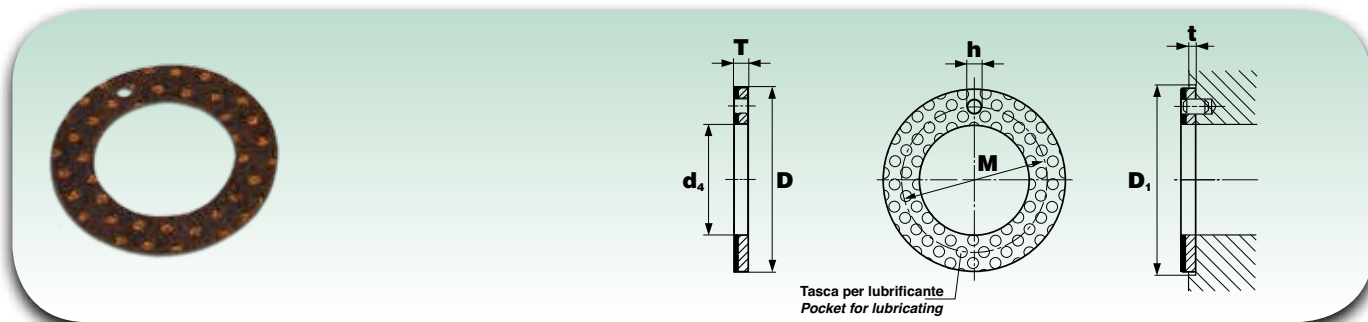



**Ralle WC SF-2 (superficie alveolata) - Misure metriche - WC SF-2 Thrust washers (honey cones surface) - Metric sizes**


| Sigla<br>Designation | Dimensioni (mm)<br>Dimensions (mm) |             |             |                | Dimensioni di montaggio (mm)<br>Mounting dimensions (mm) |               |               |
|----------------------|------------------------------------|-------------|-------------|----------------|----------------------------------------------------------|---------------|---------------|
|                      | $d_4^{+0,25}$                      | $D^{-0,25}$ | $T^{-0,05}$ | $M^{\pm 0,15}$ | $h^{+0,4}_{+0,1}$                                        | $t^{\pm 0,2}$ | $D_1^{+0,12}$ |
| WC-2 10              | 10                                 | 20          | 1.5         | 15             | 1,5                                                      | 1             | 20            |
| WC-2 12              | 12                                 | 24          | 1.5         | 18             | 1,5                                                      | 1             | 24            |
| WC-2 14              | 14                                 | 26          | 1.5         | 20             | 2                                                        | 1             | 26            |
| WC-2 16              | 16                                 | 30          | 1.5         | 23             | 2                                                        | 1             | 30            |
| WC-2 18              | 18                                 | 32          | 1.5         | 25             | 2                                                        | 1             | 32            |
| WC-2 20              | 20                                 | 36          | 1.5         | 28             | 3                                                        | 1             | 36            |
| WC-2 22              | 22                                 | 38          | 1.5         | 30             | 3                                                        | 1             | 38            |
| WC-2 24              | 24                                 | 42          | 1.5         | 33             | 3                                                        | 1             | 42            |
| WC-2 26              | 26                                 | 44          | 1.5         | 35             | 3                                                        | 1             | 44            |
| WC-2 28              | 28                                 | 48          | 1.5         | 38             | 4                                                        | 1             | 48            |
| WC-2 32              | 32                                 | 54          | 1.5         | 43             | 4                                                        | 1             | 54            |
| WC-2 38              | 38                                 | 62          | 1.5         | 50             | 4                                                        | 1             | 62            |
| WC-2 42              | 42                                 | 66          | 1.5         | 54             | 4                                                        | 1             | 66            |
| WC-2 48              | 48                                 | 74          | 2           | 61             | 4                                                        | 1,5           | 74            |
| WC-2 52              | 52                                 | 78          | 2           | 65             | 4                                                        | 1,5           | 78            |
| WC-2 62              | 62                                 | 90          | 2           | 76             | 4                                                        | 1,5           | 90            |

**Per ordinare specificare: sigla**
**To order, please specify: designation**
**Le tolleranze riportate in questa pagina rispettano la norma  
ISO 6525:1983**
**The tolerance values given on this page comply with standard  
ISO 6525:1983**