

# Universal micrometers

Thanks to the seven interchangeable measuring inserts, which are available as an option, you are very flexible with these micrometers.

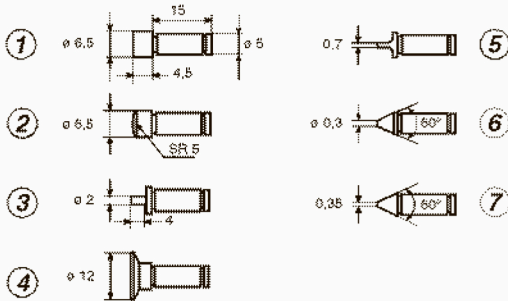
- Measuring range: 0 - 200 mm.
- Analog: graduation 0.01 mm, digital: resolution 0.001 mm.
- Non-rotating spindle.
- Insert shaft:  $\varnothing 5$  mm.

## Digital

- mm/inch conversion.
- ABS/INC switchable.
- On/off switch.
- Preset (except 909.785).
- Power supply: 1 battery type V357.



**NEW**



Item No.	Measuring range/mm	Accuracy mm
<b>Analog, without measuring inserts:</b>		
906.780	0 - 25	$\pm 0.004$
906.781	25 - 50	$\pm 0.004$
906.782	50 - 75	$\pm 0.005$
906.783	75 - 100	$\pm 0.005$
906.784	100 - 125	$\pm 0.008$
906.785	125 - 150	$\pm 0.008$
906.786	150 - 175	$\pm 0.009$
906.787	175 - 200	$\pm 0.009$
<b>Digital, without measuring inserts:</b>		
909.785	0 - 25	$\pm 0.004$
909.786	25 - 50	$\pm 0.004$
909.787	50 - 75	$\pm 0.005$
909.788	75 - 100	$\pm 0.005$
909.789	100 - 125	$\pm 0.008$
909.790	125 - 150	$\pm 0.008$
909.791	150 - 175	$\pm 0.009$
909.792	175 - 200	$\pm 0.009$
<b>Option:</b>		
836.535	Spare battery	

No. Item No. Description  
measuring faces

### Measuring inserts, per pair:

- ① 906.788 flat
- ② 906.789 spherical
- ③ 906.790 small
- ④ 906.791 disc
- ⑤ 906.792 knife/flat
- ⑥ 906.793 point
- ⑦ 906.794 knife

906.795 Set of 7 pairs