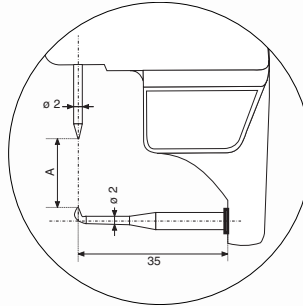


Digital thickness gauge

This digital thickness gauge has special, pointed measuring faces for measuring in hard-to-reach places of metal parts.

- Measuring range: 0- 15 mm.
- Resolution: 0.01 mm.
- Accuracy: ± 0.03 mm.
- mm/inch conversion.
- On/off switch.
- Reset.
- Weight: 100 g.
- Power supply:
1 battery type V357.



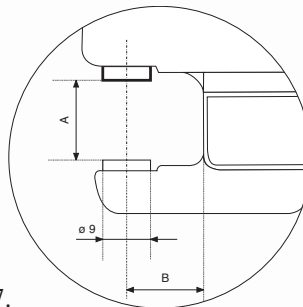
Item No.	Measuring face	Throat depth/mm	Price EUR
906.450	Pointed	35	83.00
Option:			
836.535	Spare battery		1.90



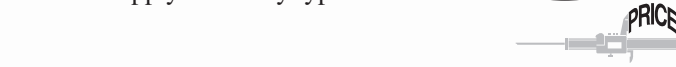
Digital thickness gauges

The shape of the measuring faces makes this digital thickness gauge especially suitable for measuring metal or plastic film, leather, paper, etc.

- Measuring range: 0- 25 mm.
- Resolution: 0.01 mm.
- Accuracy:
0- 15 mm: ± 0.03 mm,
0- 25 mm: ± 0.04 mm.
- mm/inch conversion.
- On/off switch.
- Reset.
- Weight: 100 g.
- Power supply: 1 battery type V357.



906.451



Item No.	Measuring range/mm	Measuring face ϕ /mm	Throat depth/mm	Price EUR
906.451	0- 15	9	15.0	79.00
906.452	0- 25	9	14.5	107.00
Option:				
836.535	Spare battery			1.90