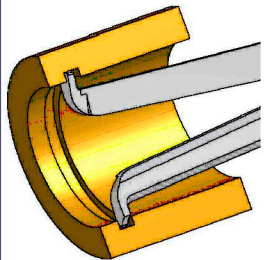


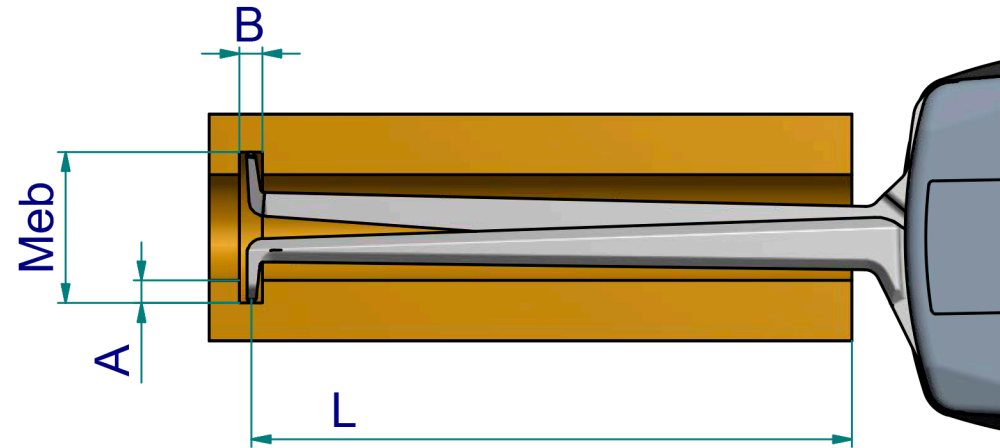
subject to technical alterations



type: G
range: .20 - .59 INCH
range of indication: .1850 - .6024 INCH
digital step: .0002 INCH
scale interval: -
measuring force: 0,8 - 1,2 N
weight: 230 g

acceptable deviations
VDI/VDE/DGQ 2618 Bl. 12.1/13.1)
max. permissible errors "G": .0008 INCH
repeatability "r": .0002 INCH
reference temperature: 20° C
operation temperature: 10° C - 30° C
storage temperature: -10° C - 50° C

scale: 1:1
drawing-nr.: DAB-G105_KR_I
date of issue: 07.01.09
name: M. Balzer
revision status: 001
revision date: 08.03.10



measuring capacity

		measuring range Meb [inch]										
		.20	.24	.28	.31	.35	.39	.43	.47	.51	.55	.59
groove depth A [inch]	0	0 / 1.31	0 / 1.31	0 / 1.31	0 / 1.33	0 / 1.34	0 / 1.35	0 / 1.37	0 / 1.38	0 / 1.39	0 / 1.40	0 / 1.41
	.008		.03 / 1.28	.03 / 1.29	.03 / 1.31	.03 / 1.33	.03 / 1.34	.03 / 1.36	.03 / 1.37	.03 / 1.38	.03 / 1.39	.03 / 1.40
	.016		.04 / 1.20	.03 / 1.20	.03 / 1.33	.03 / 1.31	.03 / 1.33	.03 / 1.34	.03 / 1.36	.03 / 1.37	.03 / 1.39	.03 / 1.40
	.024			.04 / 1.10	.04 / 1.19	.04 / 1.28	.04 / 1.31	.04 / 1.33	.04 / 1.35	.04 / 1.36	.04 / 1.38	.04 / 1.39
	.031			.04 / .95	.04 / 1.04	.04 / 1.16	.04 / 1.28	.04 / 1.32	.04 / 1.33	.04 / 1.35	.04 / 1.37	.04 / 1.38
	.039			.05 / .84	.05 / .90	.04 / 1.00	.04 / 1.15	.04 / 1.31	.04 / 1.32	.04 / 1.34	.04 / 1.36	.04 / 1.37
	.047				.05 / .76	.05 / .84	.04 / .96	.04 / 1.16	.04 / 1.29	.04 / 1.32	.04 / 1.35	.04 / 1.36
	.055				.06 / .61	.05 / .68	.05 / .78	.05 / .94	.04 / 1.19	.04 / 1.30	.04 / 1.33	.04 / 1.35
	.063					.06 / .52	.05 / .60	.05 / .72	.05 / .91	.05 / 1.26	.04 / 1.31	.04 / 1.34
	.071					.07 / .36	.06 / .41	.05 / .50	.05 / .63	.05 / .89	.05 / 1.28	.05 / 1.32
	.079					.08 / .20	.07 / .23	.06 / .30	.06 / .35	.06 / .50	.05 / .84	.05 / 1.30
	.087						.09 / .05	.08 / .06	.07 / .07	.07 / .11	.05 / .18	.06 / .65
	B / L											

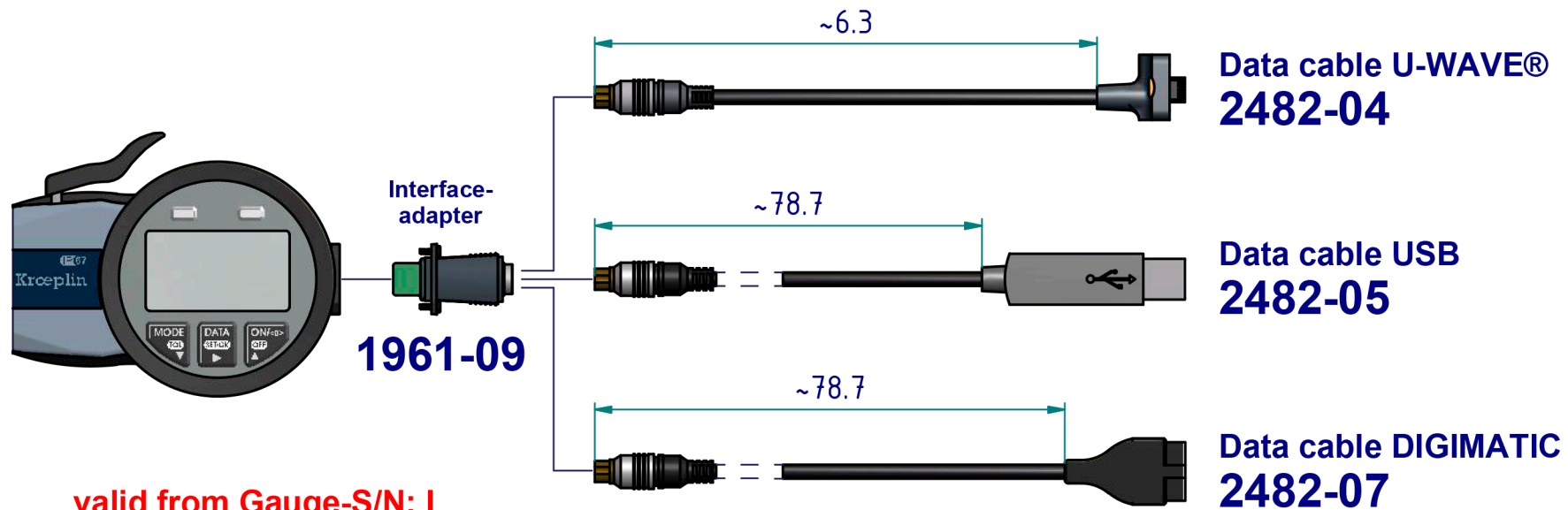
subject to technical alterations

drawing-nr.: DAB-G105_KR_I
 date of issue: 07.01.09
 name: M. Balzer

revision status:
 revision date:

B = minimum groove width [inch]
L = maximum usable arm length [inch]
 Example: Meb = .31 B = .03
 A = .016 L = 1.33

interface as accessories available:



valid from Gauge-S/N: I
Always specify serial number
when ordering Interfaces or accessories!

subject to technical alterations

drawing-nr.:	DAB-G105_KR_I
date of issue:	07.01.09
name:	M. Balzer
revision status:	2043
revision date:	27.02.12