

FKD[®] 海蓝轴承
BEARING 外球面带座轴承专业制造商

FKD[®]
BEARING



河北海蓝轴承制造有限公司

HEBEI HAILAN BEARING MANUFACTURE CO.,LTD

地址：河北省临西县河西镇工业园区 054901

ADD: Hexi Town Industrial Park, Linxi County, Hebei, China

电话/TEL: 0086-319-8542274(Factory)

0086-319-8542291(Factory)

0086-319-3725658(Factory)

传真/FAX: 0086-319-8542290(Factory)

0086-635-2970300(Int'l Dept)

0086-635-2970399(Int'l Dept)

0086-311-66689635(Int'l Dept)

0086-635-2970355(Int'l Dept)

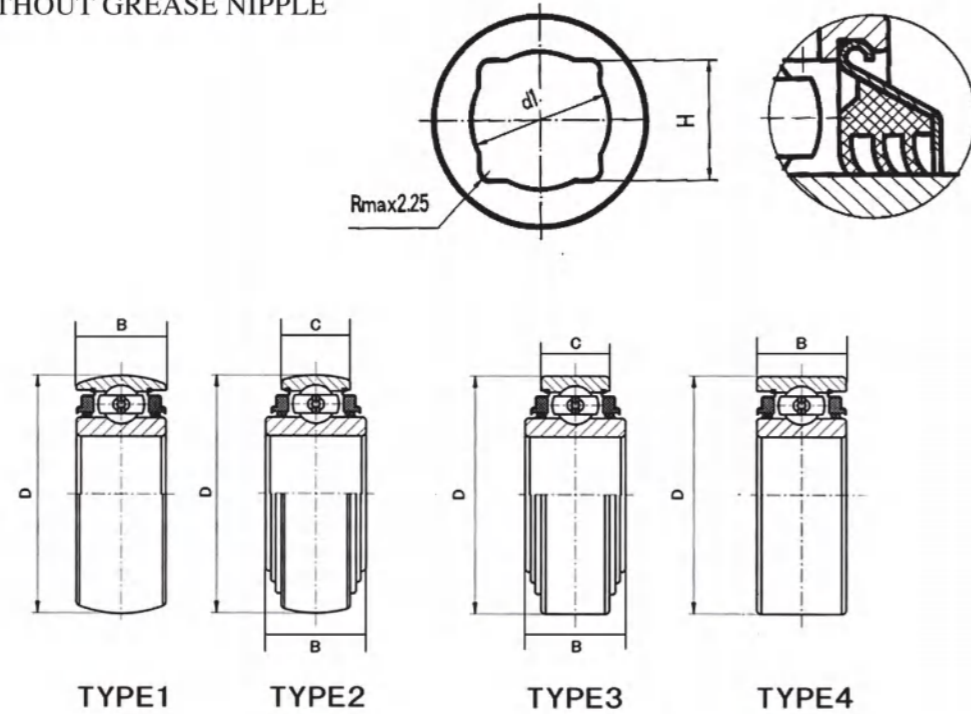
网址/Web: <http://www.ok-bearing.com>

E-mail: fkd.services@ok-bearing.com

河北海蓝轴承制造有限公司

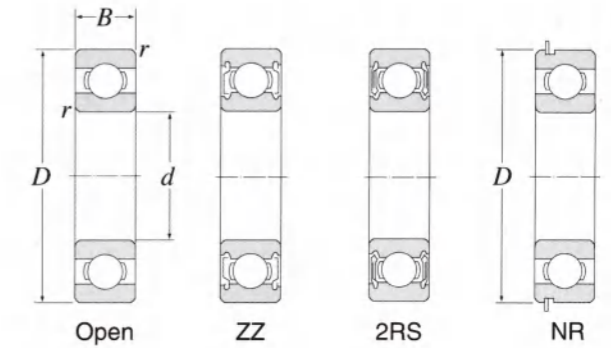
HEBEI HAILAN BEARING MANUFACTURE CO.,LTD

农机轴承
AGRI-BEARING
SQUARE BORE WITHOUT GREASE NIPPLE



轴承代号 Bearing No.	型号 Type	外形尺寸(毫米) Dimensions (mm)					额定动负荷 Basic Load Rating CR (KN)	额定静负荷 Basic Statie Load Rating COR (KN)	重量 Weight (KG)
		H	d1	D	C	B			
W208PPB13	1	22.970	24.000	80.000	18.00	36.53	22.71	15.94	0.690
W208PPB6	1	26.000	28.000	80.000	18.00	36.53	22.71	15.94	0.652
W208PP6	3	26.000	32.000	80.000	18.00	36.53	22.71	15.94	0.662
W208PPB5	1	29.970	32.000	80.000	18.00	36.53	22.71	15.94	0.590
W208PPB8	1	29.970	32.000	80.000	30.18	36.53	22.71	15.94	0.735
W208PP5	3	29.970	32.000	80.000	18.00	36.53	22.71	15.94	0.600
W208PP20	3	29.970	32.000	80.000	18.00	36.53	22.71	15.94	0.681
W208PP8	3	29.970	32.000	80.000	30.18	36.53	22.71	15.94	0.709
W209PPB5	1	33.000	32.000	85.000	30.18	36.53	24.36	17.11	0.945
W210PP4	4	29.970	32.000	100.000	30.18	30.18	27.50	20.20	1.049
W210PPB6	1	29.970	32.000	90.000	30.18	36.53	27.50	20.20	0.733
W210PPB4	2	29.970	32.000	90.000	30.18	30.18	27.50	20.20	0.846
W211PPB3	2	38.890	42.000	100.000	33.34	33.34	33.40	25.10	1.208
W211PP3	4	38.890	42.000	100.000	33.34	33.34	33.40	25.10	1.271
W211PP5	3	38.890	42.000	101.600	44.45	44.45	33.40	25.10	1.302
20414	3	30.1	31	80	18	36.53	25.09	19.82	0.652

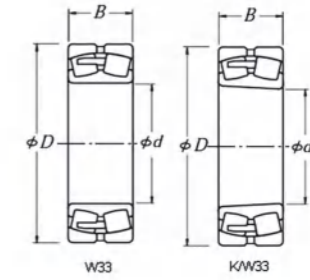
深沟球轴承
Deep Groove Ball Bearing



型号 Bearing No.				主要尺寸 Boundary dimensions (mm)				基本负荷 Basic load ratings (KN)		重量 Weight
OPEN	ZZ	2RS	NR	d	D	B	rsmin	Cr	Cor	kg
6000	ZZ	2RS	NR	10	26	8	0.3	4.55	1.96	0.019
6001	ZZ	2RS	NR	12	28	8	0.3	5.10	2.39	0.021
6002	ZZ	2RS	NR	15	32	9	0.3	5.60	2.84	0.030
6003	ZZ	2RS	NR	17	35	10	0.3	6.80	3.35	0.039
6004	ZZ	2RS	NR	20	42	12	0.6	9.40	5.05	0.069
6005	ZZ	2RS	NR	25	47	12	0.6	10.10	5.85	0.080
6006	ZZ	2RS	NR	30	55	13	1	13.20	8.30	0.116
6007	ZZ	2RS	NR	35	62	14	1	16.0	10.3	0.155
6008	ZZ	2RS	NR	40	68	15	1	16.8	11.5	0.190
6009	ZZ	2RS	NR	45	75	16	1	21.0	15.1	0.237
6010	ZZ	2RS	NR	50	80	16	1	21.8	16.6	0.261
6011	ZZ	2RS	NR	55	90	18	1.1	28.3	21.2	0.388
6012	ZZ	2RS	NR	60	95	18	1.1	29.5	23.2	0.414
6013	ZZ	2RS	NR	65	100	18	1.1	30.5	25.2	0.421
6014	ZZ	2RS	NR	70	110	20	1.1	38.0	31.0	0.604
6015	ZZ	2RS	NR	75	115	20	1.1	39.5	33.5	0.649
6016	ZZ	2RS	NR	80	125	22	1.1	47.5	40.0	0.854
6017	ZZ	2RS	NR	85	130	22	1.1	49.5	43.0	0.890
6018	ZZ	2RS	NR	90	140	24	1.5	58.0	49.5	1.02
6019	ZZ	2RS	NR	95	145	24	1.5	60.5	54.0	1.08
6020	ZZ	2RS	NR	100	150	24	1.5	60.0	54.0	1.15
6021	ZZ	2RS	NR	105	160	26	2	72.5	65.5	1.59
6022	ZZ	2RS	NR	110	170	28	2	82.0	73.0	1.96
6024	ZZ	2RS	NR	120	180	28	2	85.0	79.5	2.07
6026	ZZ	2RS	NR	130	200	33	2	106.0	101.0	3.16
6028	ZZ	2RS	NR	140	210	33	2	110.0	109.0	3.35
6200	ZZ	2RS	NR	10	30	9	0.6	5.1	2.39	0.032
6201	ZZ	2RS	NR	12	32	10	0.6	6.1	2.75	0.037
6202	ZZ	2RS	NR	15	35	11	0.6	7.75	3.60	0.045
6203	ZZ	2RS	NR	17	40	12	0.6	9.60	4.60	0.066
6204	ZZ	2RS	NR	20	47	14	1	12.80	6.65	0.106
6205	ZZ	2RS	NR	25	52	15	1	14.0	7.85	0.128
6206	ZZ	2RS	NR	30	62	16	1	19.5	11.3	0.199
6207	ZZ	2RS	NR	35	72	17	1.1	25.7	15.3	0.288
6208	ZZ	2RS	NR	40	80	18	1.1	29.1	17.8	0.366
6209	ZZ	2RS	NR	45	85	19	1.1	32.5	20.4	0.398
6210	ZZ	2RS	NR	50	90	20	1.1	35.0	23.2	0.454
6211	ZZ	2RS	NR	55	100	21	1.5	43.5	29.2	0.601
6212	ZZ	2RS	NR	60	110	22	1.5	52.5	36.0	0.783
6213	ZZ	2RS	NR	65	120	23	1.5	57.5	40.0	0.990
6214	ZZ	2RS	NR	70	125	24	1.5	62.0	44.0	1.07
6215	ZZ	2RS	NR	75	130	25	1.5	66.0	49.5	1.18
6216	ZZ	2RS	NR	80	140	26	2	72.5	53.0	1.40
6217	ZZ	2RS	NR	85	150	28	2	83.5	64.0	1.79

型号 OPEN	型号 ZZ 2RS NR			主要尺寸 Boundary dimensions (mm)				基本负荷 Basic load ratings (KN)		重量 kg
	ZZ	2RS	NR	d	D	B	r _{smin}	Cr	Cor	
6218	ZZ	2RS	NR	90	160	30	2	96.0	71.5	2.15
6219	ZZ	2RS	NR	95	170	32	2.1	109.0	82.0	2.62
6220	ZZ	2RS	NR	100	180	34	2.1	122.0	93.0	3.14
6221	ZZ	2RS	NR	105	190	36	2.1	133.0	105.0	3.7
6222	ZZ	2RS	NR	110	200	38	2.1	155.0	117.0	4.36
6224	ZZ	2RS	NR	120	215	40	2.1	167.0	131.0	5.15
6226	ZZ	2RS	NR	130	230	40	3	167.0	146.0	5.82
6300	ZZ	2RS	NR	10	35	11	0.6	8.2	3.5	0.053
6301	ZZ	2RS	NR	12	37	12	1	9.7	4.2	0.060
6302	ZZ	2RS	NR	15	42	13	1	11.4	5.45	0.082
6303	ZZ	2RS	NR	17	47	14	1	13.5	6.55	0.115
6304	ZZ	2RS	NR	20	52	15	1.1	15.9	7.9	0.144
6305	ZZ	2RS	NR	25	62	17	1.1	21.2	10.9	0.232
6306	ZZ	2RS	NR	30	72	19	1.1	26.7	15.0	0.360
6307	ZZ	2RS	NR	35	80	21	1.5	33.5	19.1	0.457
6308	ZZ	2RS	NR	40	90	23	1.5	40.5	24	0.630
6309	ZZ	2RS	NR	45	100	25	1.5	53.0	32.0	0.814
6310	ZZ	2RS	NR	50	110	27	2	62.0	38.5	1.07
6311	ZZ	2RS	NR	55	120	29	2	71.5	45.0	1.37
6312	ZZ	2RS	NR	60	130	31	2.1	82.0	52.0	1.73
6313	ZZ	2RS	NR	65	140	33	2.1	92.5	60.0	2.08
6314	ZZ	2RS	NR	70	150	35	2.1	104.0	68.0	2.52
6315	ZZ	2RS	NR	75	160	37	2.1	113.0	77.0	3.02
6316	ZZ	2RS	NR	80	170	39	2.1	123.0	86.5	3.59
6317	ZZ	2RS	NR	85	180	41	3	133.0	97.0	4.23
6318	ZZ	2RS	NR	90	190	43	3	143.0	107.0	4.91
6319	ZZ	2RS	NR	95	200	45	3	153.0	119.0	5.67
6320	ZZ	2RS	NR	100	215	47	3	173.0	141.0	7.00
6321	ZZ	2RS	NR	105	225	49	3	184.0	153.0	8.05
6322	ZZ	2RS	NR	110	240	50	3	205.0	179.0	9.54
6324	ZZ	2RS	NR	120	260	55	3	207.0	185.0	12.4
6326	ZZ	2RS	NR	130	280	58	4	229.0	214.0	15.3
6328	ZZ	2RS	NR	140	300	62	4	253.0	246.0	18.5
6403	ZZ	2RS	NR	17	62	17	1.1	22.7	10.8	0.270
6404	ZZ	2RS	NR	20	72	19	1	28.5	13.9	0.400
6405	ZZ	2RS	NR	25	80	21	1.1	34.5	17.5	0.530
6406	ZZ	2RS	NR	30	90	23	5	43.5	23.9	0.735
6407	ZZ	2RS	NR	35	100	25	1.5	55.0	31.0	0.952
6408	ZZ	2RS	NR	40	110	27	2	63.5	36.5	1.23
6409	ZZ	2RS	NR	45	120	29	2	77.0	45.0	1.53
6410	ZZ	2RS	NR	50	130	31	2.1	83.0	49.5	1.88
6411	ZZ	2RS	NR	55	140	33	2.1	89.0	54.0	2.29
6412	ZZ	2RS	NR	60	150	35	2.1	102.0	64.5	2.77
6413	ZZ	2RS	NR	65	160	37	2.1	111.0	72.5	3.30
6414	ZZ	2RS	NR	70	180	42	3	128.0	89.5	4.83
6415	ZZ	2RS	NR	75	190	45	3	138.0	99.0	5.72
6416	ZZ	2RS	NR	80	200	48	3	164.0	125.0	6.76
6417	ZZ	2RS	NR	85	210	52	4	165.0	128.0	7.95
6418	ZZ	2RS	NR	90	225	54	4	184.0	149.0	11.4

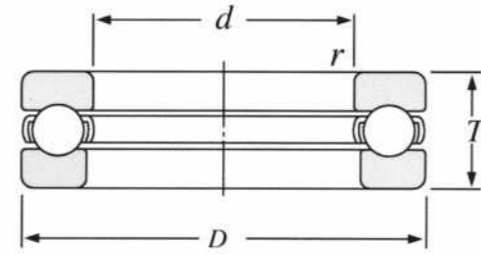
调心滚子轴承
SPHERICAL ROLLER BEARING



型号 Cylindrical Bore		主要尺寸 Boundary dimensions (mm)			重量 Weight (kg)
型号 Tapered Bore	d	D	B		
22206	22206K	30	62	20	0.26
22207	22207K	35	72	23	0.39
22208	22208K	40	80	23	0.48
22209	22209K	45	85	23	0.53
22210	22210K	50	90	23	0.57
22211	22211K	55	100	25	0.76
22212	22212K	60	110	28	1.04
22213	22213K	65	120	31	1.43
22214	22214K	70	125	31	1.51
22215	22215K	75	130	31	1.59
22216	22216K	80	140	33	1.93
22217	22217K	85	150	36	2.41
22218	22218K	90	160	40	3.11
22219	22219K	95	170	43	3.82
22220	22220K	100	180	46	4.62
22222	22222K	110	200	53	6.78
22224	22224K	120	215	58	8.45
22226	22226K	130	230	64	10.5
22228	22228K	140	250	68	14.5
22230	22230K	150	270	73	18.4
22308	22308K	40	90	33	0.96
22309	22309K	45	100	36	1.28
22310	22310K	50	110	40	1.67
22311	22311K	55	120	43	2.19
22312	22312K	60	130	46	2.72
22313	22313K	65	140	48	3.34
22314	22314K	70	150	51	4.04
22315	22315K	75	160	55	4.96
22316	22316K	80	170	58	5.91

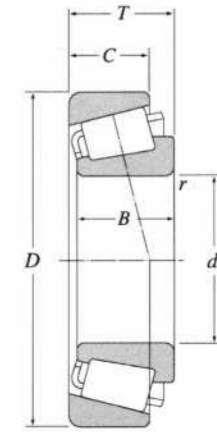
型号 Cylindrical Bore		主要尺寸 Boundary dimensions (mm)			重量 Weight (kg)
型号 Tapered Bore	d	D	B		
22317	22317K	85	180	60	6.72
22318	22318K	90	190	64	8.06
22319	22319K	95	200	67	9.3
22320	22320K	100	215	73	12.2
22322	22322K	110	240	80	17
22324	22324K	120	260	86	22.2
22326	22326K	130	280	93	27.4
22328	22328K	140	300	102	34.3
22330	22330K	150	320	108	41.7
23022	23022K	110	170	45	3.75
23024	23024K	120	180	46	4.11
23122	23122K	110	180	56	5.7
23124	23124K	120	200	62	7.84
23126	23126K	130	210	64	8.68
23128	23128K	140	225	68	10.5
23130	23130K	150	250	80	15.8
23132	23132K	160	270	86	20.3
23134	23134K	170	280	88	21.8
23136	23136K	180	300	96	27.5
23138	23138K	190	320	104	34.5
23140	23140K	200	340	112	42.6
23218	23218K	90	160	52.4	4.52
23220	23220K	100	180	60.3	6.6
23222	23222K	110	200	69.8	9.54
23224	23224K	120	215	76	12.1
23226	23226K	130	230	80	14.3
23228	23228K	140	250	88	18.8
23230	23230K	150	270	96	24.2

推力球轴承
Thrust Ball Bearing



型号 Bearing No.	主要尺寸(mm) Boundary dimensions				基本负荷 Basic load ratings (KN)		重量 Weight kg
	d	D	T	r _{min}	Cr	Cor	
51100	10	24	9	0.3	10	14	0.021
51101	12	26	9	0.3	10.3	15.4	0.023
51102	15	28	9	0.3	10.5	16.8	0.024
51103	17	30	9	0.3	10.8	18.2	0.026
51104	20	35	10	0.3	14.2	24.7	0.040
51105	25	42	11	0.6	19.6	37.0	0.060
51106	30	47	11	0.6	20.4	42.0	0.069
51107	35	52	12	0.6	20.4	44.5	0.085
51108	40	60	13	0.6	26.9	63.0	0.125
51109	45	65	14	0.6	27.9	69.0	0.148
51110	50	70	14	0.6	28.8	75.5	0.161
51111	55	78	16	0.6	35.0	93.0	0.226
51112	60	85	17	1	41.5	113.0	0.296
51113	65	90	18	1	41.5	117.0	0.338
51114	70	95	18	1	43.0	127.0	0.356
51115	75	100	19	1	44.5	136.0	0.399
51116	80	105	19	1	44.5	141.0	0.422
51117	85	110	19	1	46.0	150.0	0.444
51118	90	120	22	1	29.5	190.0	0.687
51120	100	135	25	1	85.0	268.0	0.987
51122	110	145	25	1	87	288	1.07
51124	120	155	25	1	89	310	1.11
51126	130	170	30	1	104	350	1.73
51128	140	180	31	1	107	375	1.90
51130	150	190	31	1	109	400	2.00
51132	160	200	31	1	112	425	2.10
51134	170	215	34	1.1	134	510	2.77
51136	180	225	34	1.1	135	525	2.92
51138	190	240	37	1.1	170	655	3.75
51140	200	250	37	1.1	172	675	3.92
51144	220	270	37	1.1	177	740	4.27
51148	240	300	45	1.5	228	935	6.87
51152	260	320	45	1.5	232	990	7.38
51156	280	350	53	1.5	305	1270	11.8
51160	300	280	62	2	355	1560	17.2

圆锥滚子轴承
Tapered Roller Bearing



型号 Bearing No.	主要尺寸(mm) Boundary dimensions						基本负荷 Basic load ratings (KN)		重量 Weight kg
	d	D	T	B	C	r _{min}	Cr	Cor	
30203	17	40	13.25	12	11	1	20.5	20.3	0.080
30204	20	47	15.25	14	12	1	28.2	28.7	0.127
30205	25	52	16.25	15	13	1	31.5	34	0.154
30206	30	62	17.25	16	14	1	43.5	48	0.241
30207	35	72	18.25	17	15	1.5	55.5	61.5	0.344
30208	40	80	19.75	18	16	1.5	61	67	0.435
30209	45	85	20.75	19	16	1.5	67.5	78.5	0.495
30210	50	90	21.75	20	17	1.5	77	93	0.563
30211	55	100	22.75	21	18	2	93	111	0.74
30212	60	110	23.75	22	19	2	105	125	0.949
30213	65	120	24.75	23	20	2	123	148	1.18
30214	70	125	26.25	24	21	2	131	162	1.26
30215	75	130	27.25	25	22	2	139	175	1.41
30216	80	140	28.25	26	22	2.5	160	200	1.72
30217	85	150	30.5	28	24	2.5	183	232	2.14
30218	90	160	32.5	30	26	2.5	208	267	2.66
30219	95	170	34.5	32	27	3	226	290	3.07
30220	100	180	37	34	29	3	258	335	3.78
30221	105	190	39	36	30	3	287	380	4.39
30222	110	200	41	38	32	3	325	435	5.18
30224	120	215	43.5	40	34	3	345	470	6.23
30226	130	230	43.75	40	34	4	375	505	7.25
30303	17	47	15.25	14	12	1	28.9	26.3	0.134
30304	20	52	16.25	15	13	1.5	35.5	34	0.160
30305	25	62	18.25	17	15	1.5	48.5	47.5	0.272
30306	30	72	20.75	19	16	1.5	60	61	0.408
30307	35	80	22.75	21	18	2	75	77	0.540
30308	40	90	25.25	23	20	2	91.5	102	0.769
30309	45	100	27.25	25	22	2	111	126	1.01
30310	50	110	29.25	27	23	2.5	133	152	1.31
30311	55	120	31.5	29	25	2.5	155	179	1.66
30312	60	130	33.5	31	22	3	180	210	2.06
30313	65	140	36	33	28	3	203	238	2.55
30314	70	150	38	35	30	3	230	272	3.06
30315	75	160	40	37	31	3	255	305	3.57
30316	80	170	42.5	39	33	3	291	350	4.41
30317	85	180	44.5	41	34	4	305	365	5.20
30318	90	190	46.5	43	36	4	335	405	6.03
30319	95	200	49.5	45	38	4	365	445	6.98