

**FKD<sup>®</sup> 海蓝轴承**  
BEARING 外球面带座轴承专业制造商

**FKD<sup>®</sup>**  
BEARING



**河北海蓝轴承制造有限公司**

HEBEI HAILAN BEARING MANUFACTURE CO.,LTD

地址：河北省临西县河西镇工业园区 054901

ADD: Hexi Town Industrial Park, Linxi County, Hebei,China

电话/TEL: 0086-319-8542274(Factory)

0086-319-8542291(Factory)

0086-319-3725658(Factory)

传真/FAX: 0086-319-8542290(Factory)

0086-635-2970300(Int'l Dept)

0086-635-2970399(Int'l Dept)

0086-311-66689635(Int'l Dept)

0086-635-2970355(Int'l Dept)

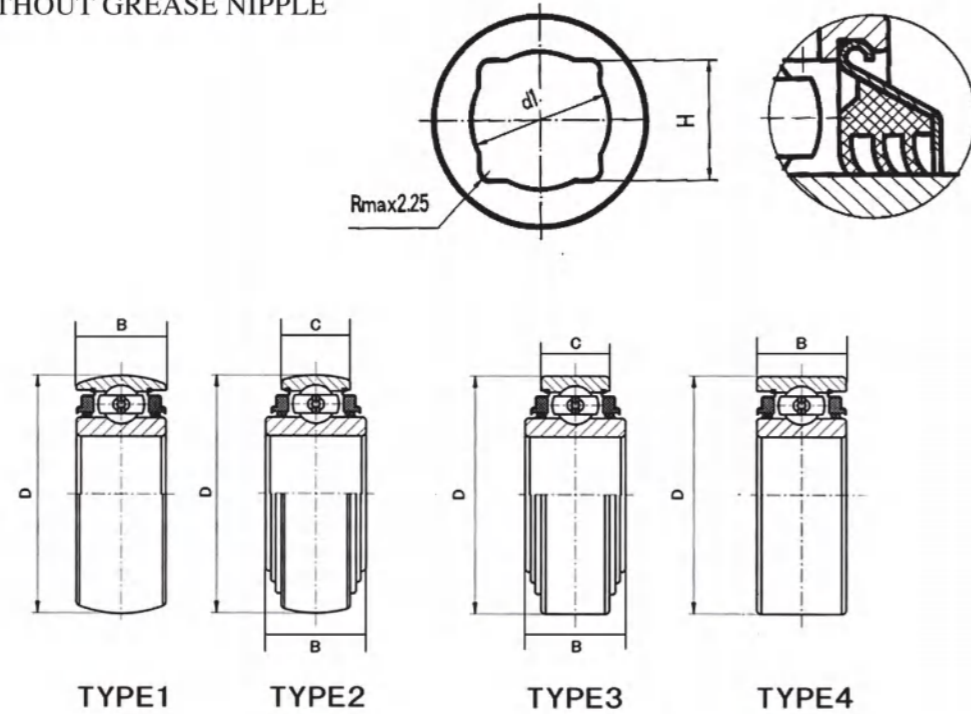
网址/Web: <http://www.ok-bearing.com>

E-mail: [fkd.services@ok-bearing.com](mailto:fkd.services@ok-bearing.com)

**河北海蓝轴承制造有限公司**

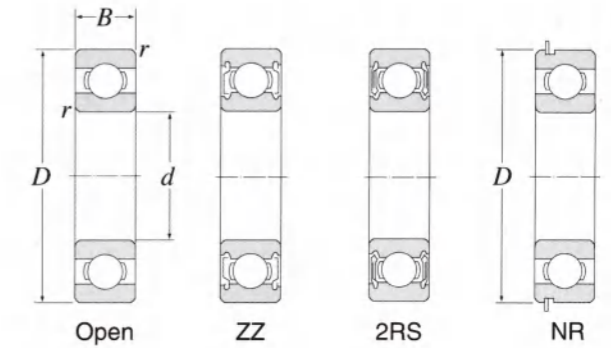
HEBEI HAILAN BEARING MANUFACTURE CO.,LTD

农机轴承  
AGRI-BEARING  
SQUARE BORE WITHOUT GREASE NIPPLE



轴承代号 Bearing No.	型号 Type	外形尺寸(毫米) Dimensions (mm)					额定动负荷 Basic Load Rating CR (KN)	额定静负荷 Basic Statie Load Rating COR (KN)	重量 Weight (KG)
		H	d1	D	C	B			
W208PPB13	1	22.970	24.000	80.000	18.00	36.53	22.71	15.94	0.690
W208PPB6	1	26.000	28.000	80.000	18.00	36.53	22.71	15.94	0.652
W208PP6	3	26.000	32.000	80.000	18.00	36.53	22.71	15.94	0.662
W208PPB5	1	29.970	32.000	80.000	18.00	36.53	22.71	15.94	0.590
W208PPB8	1	29.970	32.000	80.000	30.18	36.53	22.71	15.94	0.735
W208PP5	3	29.970	32.000	80.000	18.00	36.53	22.71	15.94	0.600
W208PP20	3	29.970	32.000	80.000	18.00	36.53	22.71	15.94	0.681
W208PP8	3	29.970	32.000	80.000	30.18	36.53	22.71	15.94	0.709
W209PPB5	1	33.000	32.000	85.000	30.18	36.53	24.36	17.11	0.945
W210PP4	4	29.970	32.000	100.000	30.18	30.18	27.50	20.20	1.049
W210PPB6	1	29.970	32.000	90.000	30.18	36.53	27.50	20.20	0.733
W210PPB4	2	29.970	32.000	90.000	30.18	30.18	27.50	20.20	0.846
W211PPB3	2	38.890	42.000	100.000	33.34	33.34	33.40	25.10	1.208
W211PP3	4	38.890	42.000	100.000	33.34	33.34	33.40	25.10	1.271
W211PP5	3	38.890	42.000	101.600	44.45	44.45	33.40	25.10	1.302
20414	3	30.1	31	80	18	36.53	25.09	19.82	0.652

深沟球轴承  
Deep Groove Ball Bearing



型号 Bearing No.				主要尺寸 Boundary dimensions (mm)				基本负荷 Basic load ratings (KN)		重量 Weight
OPEN	ZZ	2RS	NR	d	D	B	rsmin	Cr	Cor	kg
6000	ZZ	2RS	NR	10	26	8	0.3	4.55	1.96	0.019
6001	ZZ	2RS	NR	12	28	8	0.3	5.10	2.39	0.021
6002	ZZ	2RS	NR	15	32	9	0.3	5.60	2.84	0.030
6003	ZZ	2RS	NR	17	35	10	0.3	6.80	3.35	0.039
6004	ZZ	2RS	NR	20	42	12	0.6	9.40	5.05	0.069
6005	ZZ	2RS	NR	25	47	12	0.6	10.10	5.85	0.080
6006	ZZ	2RS	NR	30	55	13	1	13.20	8.30	0.116
6007	ZZ	2RS	NR	35	62	14	1	16.0	10.3	0.155
6008	ZZ	2RS	NR	40	68	15	1	16.8	11.5	0.190
6009	ZZ	2RS	NR	45	75	16	1	21.0	15.1	0.237
6010	ZZ	2RS	NR	50	80	16	1	21.8	16.6	0.261
6011	ZZ	2RS	NR	55	90	18	1.1	28.3	21.2	0.388
6012	ZZ	2RS	NR	60	95	18	1.1	29.5	23.2	0.414
6013	ZZ	2RS	NR	65	100	18	1.1	30.5	25.2	0.421
6014	ZZ	2RS	NR	70	110	20	1.1	38.0	31.0	0.604
6015	ZZ	2RS	NR	75	115	20	1.1	39.5	33.5	0.649
6016	ZZ	2RS	NR	80	125	22	1.1	47.5	40.0	0.854
6017	ZZ	2RS	NR	85	130	22	1.1	49.5	43.0	0.890
6018	ZZ	2RS	NR	90	140	24	1.5	58.0	49.5	1.02
6019	ZZ	2RS	NR	95	145	24	1.5	60.5	54.0	1.08
6020	ZZ	2RS	NR	100	150	24	1.5	60.0	54.0	1.15
6021	ZZ	2RS	NR	105	160	26	2	72.5	65.5	1.59
6022	ZZ	2RS	NR	110	170	28	2	82.0	73.0	1.96
6024	ZZ	2RS	NR	120	180	28	2	85.0	79.5	2.07
6026	ZZ	2RS	NR	130	200	33	2	106.0	101.0	3.16
6028	ZZ	2RS	NR	140	210	33	2	110.0	109.0	3.35
6200	ZZ	2RS	NR	10	30	9	0.6	5.1	2.39	0.032
6201	ZZ	2RS	NR	12	32	10	0.6	6.1	2.75	0.037
6202	ZZ	2RS	NR	15	35	11	0.6	7.75	3.60	0.045
6203	ZZ	2RS	NR	17	40	12	0.6	9.60	4.60	0.066
6204	ZZ	2RS	NR	20	47	14	1	12.80	6.65	0.106
6205	ZZ	2RS	NR	25	52	15	1	14.0	7.85	0.128
6206	ZZ	2RS	NR	30	62	16	1	19.5	11.3	0.199
6207	ZZ	2RS	NR	35	72	17	1.1	25.7	15.3	0.288
6208	ZZ	2RS	NR	40	80	18	1.1	29.1	17.8	0.366
6209	ZZ	2RS	NR	45	85	19	1.1	32.5	20.4	0.398
6210	ZZ	2RS	NR	50	90	20	1.1	35.0	23.2	0.454
6211	ZZ	2RS	NR	55	100	21	1.5	43.5	29.2	0.601
6212	ZZ	2RS	NR	60	110	22	1.5	52.5	36.0	0.783
6213	ZZ	2RS	NR	65	120	23	1.5	57.5	40.0	0.990
6214	ZZ	2RS	NR	70	125	24	1.5	62.0	44.0	1.07
6215	ZZ	2RS	NR	75	130	25	1.5	66.0	49.5	1.18
6216	ZZ	2RS	NR	80	140	26	2	72.5	53.0	1.40
6217	ZZ	2RS	NR	85	150	28	2	83.5	64.0	1.79