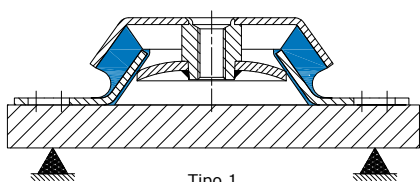
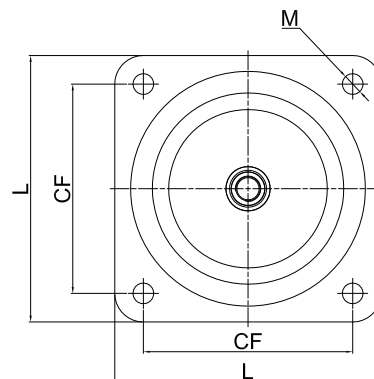
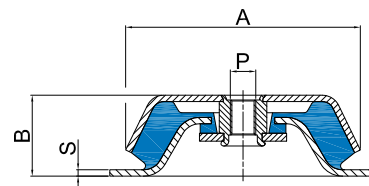


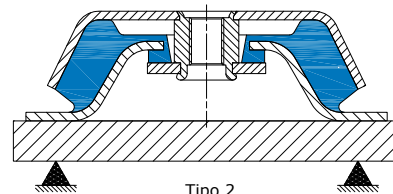
Carico
Load



Tipo 1
Type 1



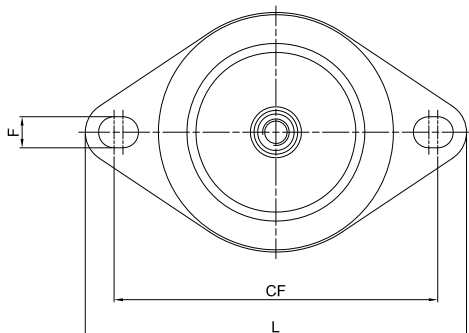
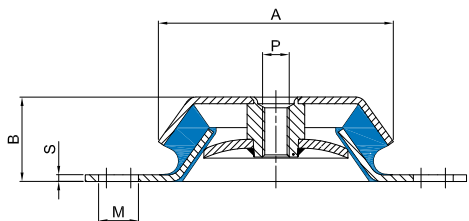
Carico
Load



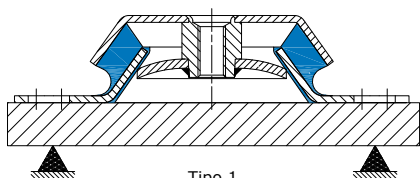
Tipo 2
Type 2

Le nostre campane soft possono sopportare una trazione continua di 2g ed occasionalmente di 5g riferito al carico senza deformazione permanente.
Soft bell mounts can withstand up to 2g of shock forces or 5g occasional shock forces with regard to the load without permanent deformation or falling.

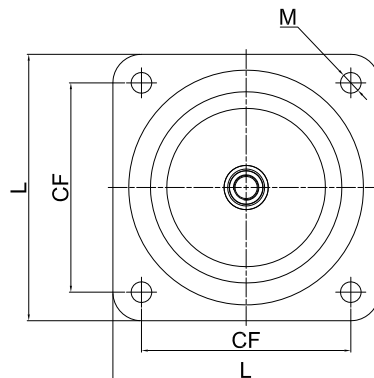
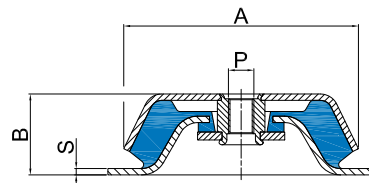
Codice	Durezza (IRHD)	A	B	P	FxM	CF	L	S	Rigidezza Media (daN/mm)	Carico Max (daN)	Defles. Max (mm)	Tipo
Item	Hardness (IRHD)	A	B	P	FxM	CF	L	S	Average Stiffness (daN/mm)	Max Load (daN)	Max Deflec. (mm)	Type
ZB823510W	45	82	35	M10	11	110	127	2	12,0	70,0	6,0	1
ZB823510M	60								22,0	130,0	5,8	
ZB823510H	70								28,0	160,0	5,5	
ZB823512W	45	82	35	M12	11	110	127	2	12,0	70,0	6,0	1
ZB823512M	60								22,0	130,0	5,8	
ZB823512H	70								28,0	160,0	5,5	
ZB1063812XW	35	106	38	M12	14X18	138 146	172	2	40,0	150,0	3,7	1
ZB1063812W	45								55,0	192,5	3,5	
ZB1063812M	60								100,0	350,0	3,5	
ZB1063812H	70								150,0	450,0	3,0	



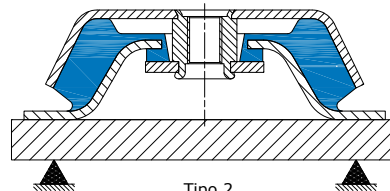
Carico
Load



Tipo 1
Type 1



Carico
Load



Tipo 2
Type 2

Le nostre campane soft possono sopportare una trazione continua di 2g ed occasionalmente di 5g riferito al carico senza deformazione permanente.
Soft bell mounts can withstand up to 2g of shock forces or 5g occasional shock forces with regard to the load without permanent deformation or falling.

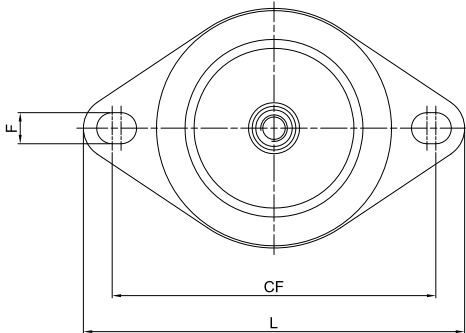
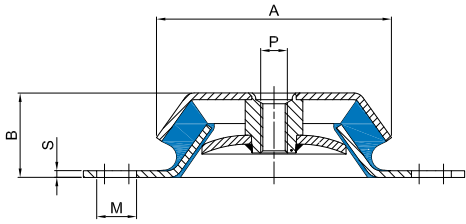
Codice	Durezza (IRHD)	A	B	P	FxM	CF	L	S	Rigidezza Media (daN/mm)	Carico Max (daN)	Defles. Max (mm)	Tipo
Item	Hardness (IRHD)	A	B	P	FxM	CF	L	S	Average Stiffness (daN/mm)	Max Load (daN)	Max Deflec. (mm)	Type
ZB1063816XW	35	106	38	M16	14X18	138 146	172	3	40,0	150,0	3,7	1
ZB1063816W	45								55,0	192,5	3,5	
ZB1063816M	60								100,0	350,0	3,5	
ZB1063816H	70								150,0	450,0	3,0	
ZB1064212W	45	106	42	M12	14X18	138 146	172	3	28,0	140,0	5,0	1
ZB1064212M	60								55,0	275,0	5,0	
ZB1064212H	70								85,0	425,0	5,0	
ZB1064212XH	75								120,0	600,0	5,0	
ZB1064216W	45	106	42	M16	14X18	138 146	172	3	28,0	140,0	5,0	1
ZB1064216M	60								55,0	275,0	5,0	
ZB1064216H	70								85,0	425,0	5,0	
ZB1064216XH	75								120,0	600,0	5,0	

A CAMPANA CON FLANGIA CONICAL WITH FLANGES

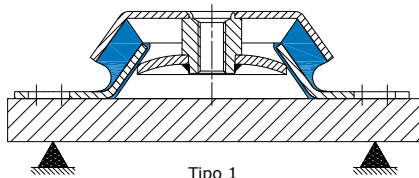
sale@technobearing.ru

TECHNOBEARING.RU

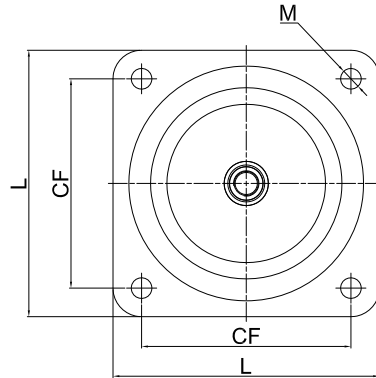
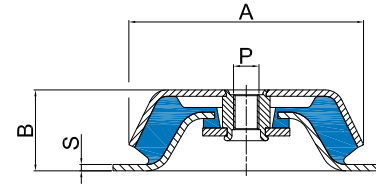
8 (800) 700-72-07



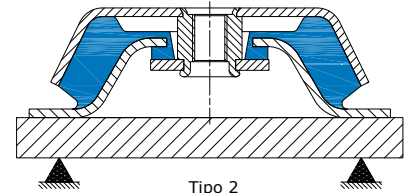
Carico
Load



Tipo 1
Type 1



Carico
Load



Tipo 2
Type 2

Le nostre campane soft possono sopportare una trazione continua di 2g ed occasionalmente di 5g riferito al carico senza deformazione permanente.
Soft bell mounts can withstand up to 2g of shock forces or 5g occasional shock forces with regard to the load without permanent deformation or failing.

Codice	Durezza (IRHD)	A	B	P	FxM	CF	L	S	Rigidezza Media (daN/mm)	Carico Max (daN)	Defles. Max (mm)	Tipo
Item	Hardness (IRHD)	A	B	P	FxM	CF	L	S	Average Stiffness (daN/mm)	Max Load (daN)	Max Deflec. (mm)	Type
ZB1214216W	45	121	42	M16	13,5	158	188	3	125,0	500,0	4,0	1
ZB1214216M	60								190,0	760,0	4,0	
ZB1214216H	70								290,0	1160,0	4,0	
ZB1444816XW	35	144	48	M16	14X18	179 186	216	4	85,0	527,0	6,0	1
ZB1444816W	45								100,0	700,0	7,0	
ZB1444816M	60								200,0	1340,0	6,7	
ZB1444816H	70								300,0	1950,0	6,5	
ZB1505016W	45	150	51	M16	n°4X13	132	168	4	110,0	440,0	4,0	2
ZB1505016M	60								210,0	880,0	4,2	
ZB1505016H	70								310,0	1240,0	4,0	

sale@technobearing.ru

TECHNOBEARING.RU

8 (800) 700-72-07

