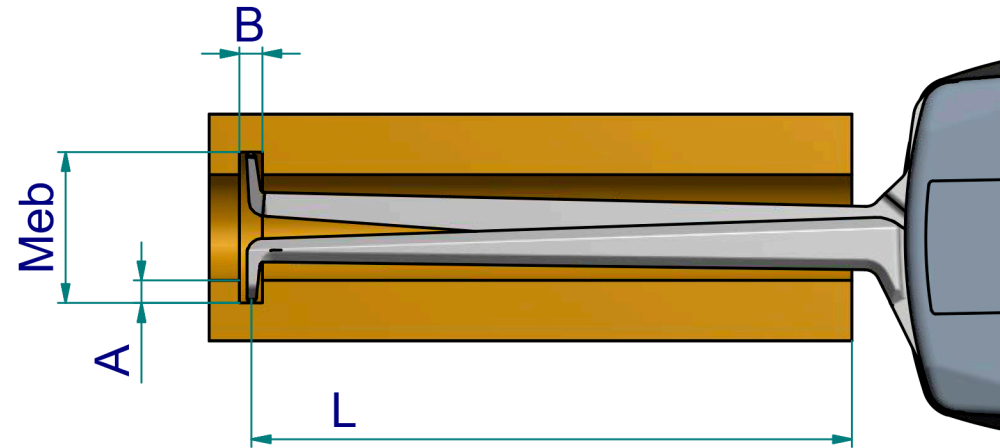


subject to technical alterations

**type:** G  
**range:** .39 - 1.18 INCH  
**range of indication:** .3740 - 1.2010 INCH  
**digital step:** .0005 INCH  
**scale interval:** -  
**measuring force:** 1,1 - 1,6 N  
**weight:** 250 g

acceptable deviations  
 VDI/VDE/DGQ 2618 Bl. 12.1/13.1)  
**max. permissible errors "G":** .0015 INCH  
**repeatability "r":** .0005 INCH  
**reference temperature:** 20° C  
**operation temperature:** 10° C - 30° C  
**storage temperature:** -10° C - 50° C

**scale:** 1:1  
**drawing-nr.:** DAB-G210\_KR\_I  
**date of issue:** 07.01.09  
**name:** M. Balzer  
**revision status:** 001  
**revision date:** 08.03.10



measuring capacity

		measuring range Meb [inch]								
		.39	.47	.55	.63	.71	.79	.87	.98	1.18
groove depth A [inch]	0	0 / 3.26	0 / 3.29	0 / 3.29	0 / 3.30	0 / 3.30	0 / 3.31	0 / 3.33	0 / 3.35	0 / 3.38
	.039		.07 / 3.23	.06 / 3.27	.06 / 3.28	.06 / 3.28	.06 / 3.30	.06 / 3.31	.06 / 3.33	.06 / 3.36
	.079			.07 / 3.22	.07 / 3.22	.07 / 3.23	.07 / 3.24	.06 / 3.25	.06 / 3.31	.06 / 3.34
	.118				.08 / 3.01	.07 / 3.23	.07 / 3.26	.07 / 3.27	.07 / 3.28	.07 / 3.32
	.157					.09 / 2.05	.08 / 2.79	.07 / 3.23	.07 / 3.26	.07 / 3.30
	.177						.10 / 1.68	.09 / 2.80	.08 / 3.26	.07 / 3.29
	.197						.16 / .06	.13 / .94	.11 / 3.23	.09 / 3.28
		B / L								

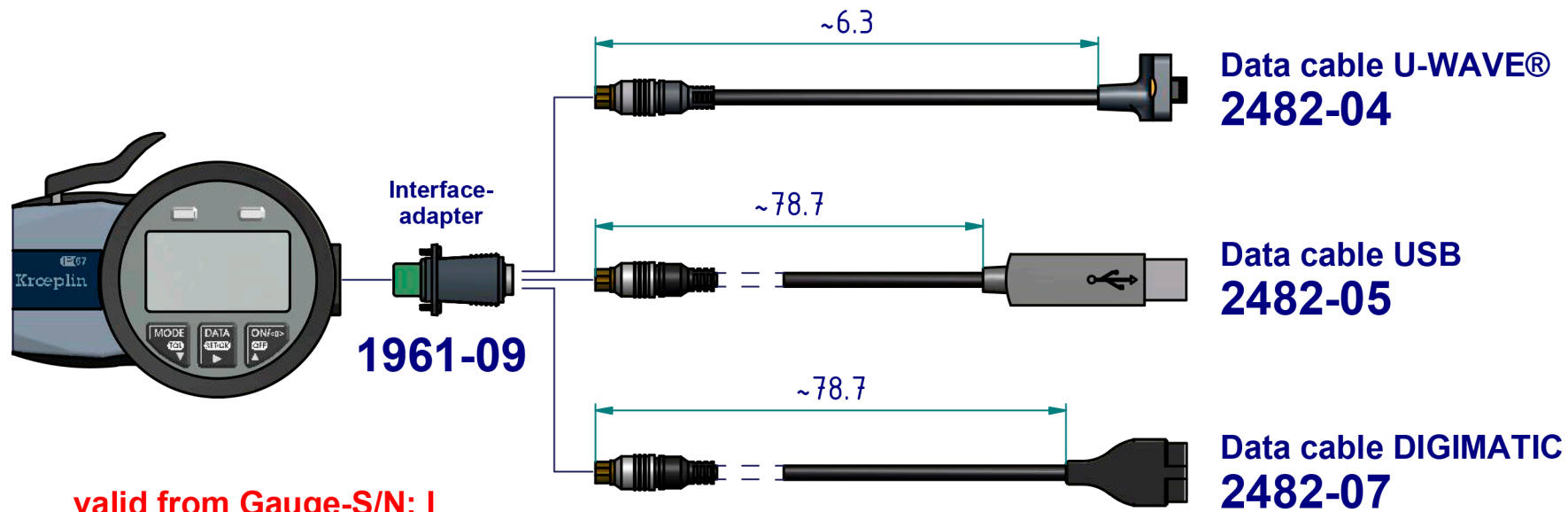
subject to technical alterations

**B = minimum groove width [inch]**  
**L = maximum usable arm length [inch]**

Example: Meb = .63    B = .07  
              A = .079    L = 3.22

drawing-nr.: DAB-G210\_KR\_I  
date of issue: 07.01.09  
name: M. Balzer  
  
revision status:  
revision date:

interface as accessories available:



**valid from Gauge-S/N: I**  
**Always specify serial number**  
**when ordering Interfaces or accessories!**

subject to technical alterations

drawing-nr.:	DAB-G210_KR_I
date of issue:	07.01.09
name:	M. Balzer
revision status:	2043
revision date:	27.02.12