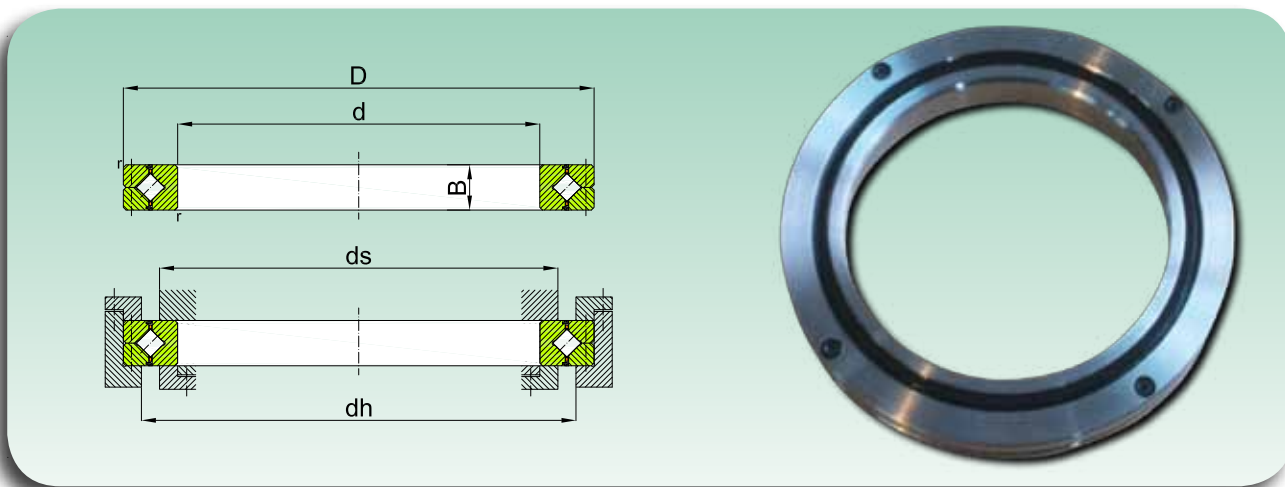




CRBC - CRB

KREUZROLLENLAGERREIHE FÜR PRÄZISIONSDREHVERBINDUNGEN

ПРЕЦИЗИОННАЯ СЕРИЯ С ПЕРЕКРЕСТНЫМИ РОЛИКАМИ



| Wellen- durchmesser Диаметр вала | Code/Код | | Abmessungen Размеры | | | | Auflagedurchmesser Диаметр опор | | CRBC | | CRB | | Gewicht Масса |
|--|----------------------------|---|------------------------|------|------|-------|------------------------------------|------|--|--|--|--|------------------|
| | | | d | D | B | r min | ds | dh | Last-Koeff. Коэффициент нагрузки | Last-Koeff. Коэффициент нагрузки | Last-Koeff. Коэффициент нагрузки | Last-Koeff. Коэффициент нагрузки | |
| | Mit Käfig С сепаратором | Vollrollig Бессепараторный с макс. числом тел качения | [mm] | [mm] | [mm] | [mm] | [mm] | [mm] | C | Co | C | Co | |
| 50 | CRBC 5013 | CRB 5013 | 50 | 80 | 13 | 0.6 | 55 | 71 | 10,7 | 12,6 | 14,2 | 18,4 | 0.29 |
| 60 | CRBC 6013 | CRB 6013 | 60 | 90 | 13 | 0.6 | 64 | 81 | 11,6 | 14,6 | 15,4 | 21,5 | 0.33 |
| 70 | CRBC 7013 | CRB 7013 | 70 | 100 | 13 | 0.6 | 75 | 91 | 12,3 | 16,7 | 17,0 | 25,5 | 0.38 |
| 80 | CRBC 8016 | CRB 8016 | 80 | 120 | 16 | 0.6 | 86 | 107 | 18,2 | 25,5 | 24,3 | 37,5 | 0.74 |
| 90 | CRBC 9016 | CRB 9016 | 90 | 130 | 16 | 1 | 98 | 118 | 19,4 | 28,6 | 25,9 | 42,1 | 0.81 |
| 100 | CRBC 10020 | CRB 10020 | 100 | 150 | 20 | 1 | 108 | 134 | 31,5 | 45,1 | 39,4 | 61,1 | 1.45 |
| 110 | CRBC 11020 | CRB 11020 | 110 | 160 | 20 | 1 | 118 | 144 | 33,5 | 50,7 | 41,2 | 66,7 | 1.56 |
| 120 | CRBC 12025 | CRB 12025 | 120 | 180 | 25 | 1.5 | 132 | 164 | 47,7 | 70,5 | 59,9 | 95,4 | 2.62 |
| 130 | CRBC 13025 | CRB 13025 | 130 | 190 | 25 | 1.5 | 140 | 172 | 49,2 | 74,8 | 61,0 | 99,8 | 2.82 |
| 140 | CRBC 14025 | CRB 14025 | 140 | 200 | 25 | 1.5 | 151 | 183 | 50,7 | 79,2 | 64,1 | 108,0 | 2.96 |
| 150 | CRBC 15025 | CRB 15025 | 150 | 210 | 25 | 1.5 | 160 | 192 | 53,8 | 87,7 | 65,0 | 113,0 | 3.16 |
| | CRBC 15030 | CRB 15030 | 150 | 230 | 30 | 1.5 | 166 | 202 | 69,2 | 108,0 | 85,9 | 144,0 | 5.3 |
| 200 | CRBC 20025 | CRB 20025 | 200 | 260 | 25 | 2 | 208 | 239 | 60,2 | 110,0 | 75,3 | 148,0 | 4 |
| | CRBC 20030 | CRB 20030 | 200 | 280 | 30 | 2 | 218 | 262 | 108,0 | 178,0 | 133,0 | 234,0 | 6.7 |
| | CRBC 20035 | CRB 20035 | 200 | 295 | 35 | 2 | 221 | 274 | 137,0 | 215,0 | 168,0 | 282,0 | 9.58 |
| 250 | CRBC 25025 | CRB 25025 | 250 | 310 | 25 | 2.5 | 259 | 290 | 67,2 | 136,0 | 83,9 | 183,0 | 4.97 |
| | CRBC 25030 | CRB 25030 | 250 | 330 | 30 | 2.5 | 265 | 310 | 116,0 | 208,0 | 146,0 | 283,0 | 8.1 |
| | CRBC 25040 | CRB 25040 | 250 | 355 | 40 | 2.5 | 271 | 330 | 179,0 | 299,0 | 215,0 | 382,0 | 14.8 |
| 300 | CRBC 30025 | CRB 30025 | 300 | 360 | 25 | 2.5 | 310 | 341 | 73,8 | 162,0 | 91,9 | 217,0 | 5.88 |
| | CRBC 30035 | CRB 30035 | 300 | 395 | 35 | 2.5 | 318 | 372 | 163,0 | 299,0 | 205,0 | 408,0 | 13.4 |
| | CRBC 30040 | CRB 30040 | 300 | 405 | 40 | 2.5 | 321 | 381 | 194,0 | 351,0 | 235,0 | 451,0 | 17.2 |
| 400 | CRBC 40035 | CRB 40035 | 400 | 480 | 35 | 2.5 | 414 | 457 | 133,0 | 300,0 | 165,0 | 400,0 | 14.5 |
| | CRBC 40040 | CRB 40040 | 400 | 510 | 40 | 2.5 | 423 | 483 | 222,0 | 455,0 | 270,0 | 590,0 | 23.5 |
| | CRBC 40070 | CRB 40070 | 400 | 580 | 70 | 2.5 | 430 | 532 | 470,0 | 811,0 | 576,0 | 1060,0 | 72.4 |