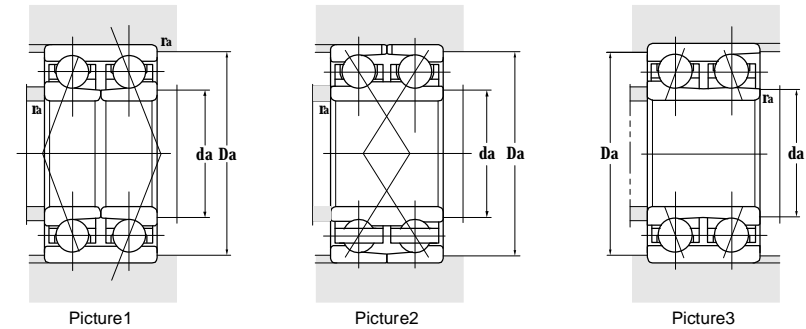
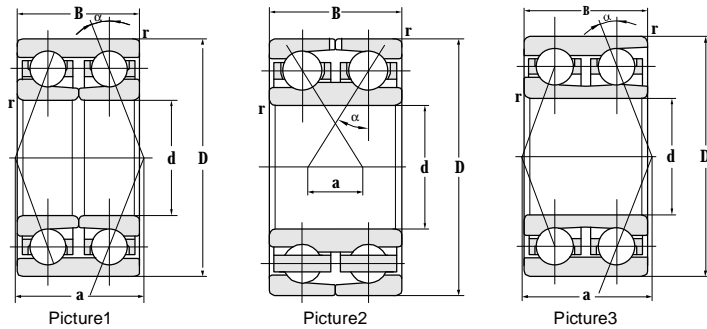


Double-row Angular Contact Ball Bearing

d 25–80 mm



Principal dimensions				Basic load ratings		Limit speed ratings	
d	D	B	r	C <sub>r</sub>	C <sub>or</sub>	Grease	Oil
mm				kN		r/min	
<b>25</b>	52	20.6	1	16.1	11.8	6500	8000
	62	25.4	1.1	26.0	17.9	6500	8000
<b>30</b>	62	23.8	1	28.6	20.8	7000	9500
<b>35</b>	72	27	1.1	32.5	35.0	6500	8000
	72	27	1.1	37.7	27.5	6000	8000
	80	34.9	1.5	52	48.0	5600	7500
<b>40</b>	80	30.2	1.1	48	41	5600	7500
	90	36.5	1.5	57.5	55.0	5300	6700
<b>45</b>	85	30.2	1.1	50.7	46.0	5000	6700
	85	30.2	1.1	50.7	46.0	5000	6700
	100	39.7	1.5	63	68.0	4800	6300
<b>50</b>	110	44.4	2	75	83.0	4300	5600
<b>55</b>	100	33.3	1.5	54.0	47.0	4500	5800
<b>60</b>	110	36.5	1.5	82.6	81.0	3800	5000
<b>65</b>	120	38.1	1.5	91.0	96.0	3600	4500
	120	38.1	1.5	51.0	60.0	3600	4500
	140	58.74	2.1	164	150	3200	4300
	140	58.7	2.1	135	146	3200	4300
<b>70</b>	150	63.5	2.1	180	168	3200	4300
<b>75</b>	130	41.3	1.5	111	119	3200	4300
	130	41.3	1.5	107	115	3200	4300
	160	68.3	2.1	208	197	3000	4100
	160	68.3	2.1	203	191	3000	4100
<b>80</b>	170	68.3	2.1	221	216	2800	3600

Designations	Contact points a	Abutment and fillet dimensions			Weight kg
		d <sub>amin</sub>	D <sub>amax</sub>	r <sub>amax</sub>	
		mm			
<b>3205ATN1</b>	31.7	31.3	46	1	0.185
<b>3305ATN1</b>	36.2	33	54	1	0.359
<b>3206ATN1-2RS</b>	36.5	36.5	57	1	0.293
<b>3207M</b>	46.3	39	68	1	0.51
<b>3207ATN1</b>	42.5	43	64	1	0.457
<b>3307M</b>	49	44	71	1.5	0.87
<b>3208M</b>	47	47	73	1	0.68
<b>3308M</b>	52	49	81	1.5	1.1
<b>3209M</b>	53.5	52	78	1	0.719
<b>3209F1/C3</b>	53.5	52	78	1	0.710
<b>3309M</b>	58	54	91	1.5	1.540
<b>3310M</b>	64	61	99	2	2.040
<b>3211ATN1/V1</b>	60.2	63	96	1.5	0.990
<b>3212M</b>	69.7	69	101	1.5	1.47
<b>3213YM</b>	64.7	74	111	1.5	1.84
<b>3213ATN1/V1</b>	71.8	74	111	1.5	1.70
<b>3313DYM</b>	79.4	77	128	2	4.89
<b>3313M</b>	86	77	128	2	4.34
<b>3314</b>	97.4	87	137	2	5.26
<b>3215DYM</b>	70.6	84	121	1.5	2.81
<b>3215</b>	73	84	121	1.5	2.09
<b>3315DYM</b>	91.5	87	148	2	6.82
<b>3315</b>	103.8	87	148	2	6.27
<b>3316M</b>	105.6	92	158	2	7.21