

Digital external measuring instruments

- Measuring range: 0-25 mm.
- Resolution: 0.01 mm.
- mm/inch conversion.
- On/off switch.
- Reset.
- Different types of inserts.
- Hardened steel measuring faces.
- Other models available on request.

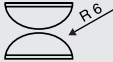
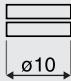
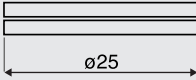
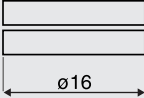
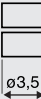
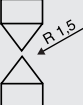


853.074



853.060

Types of inserts

- ① General applications 
- ② Wood, rubber, soft leather 
- ③ Soft rubber 
- ④ Paper, cardboard, fibrous plates 
- ⑤ Rubber rings, round materials 
- ⑥ Metal 

NEW



Item No.	Measuring range/mm	Type of insert	Throat depth/mm	Price EUR
853.072	0-25	①	50	234.00
853.073	0-25	②	50	229.00
853.074	0-25	③	50	229.00
853.075	0-25	④	50	229.00
853.076	0-25	⑤	50	229.00
853.077	0-25	⑥	50	229.00
853.057	0-25	①	200	264.00
853.078	0-25	②	200	259.00
853.079	0-25	③	200	259.00
853.080	0-25	④	200	259.00
853.081	0-25	⑥	200	259.00
853.060	0-25	①	300	280.00
853.091	0-25	②	300	275.00
853.092	0-25	③	300	275.00
853.093	0-25	④	300	275.00
853.094	0-25	⑥	300	275.00