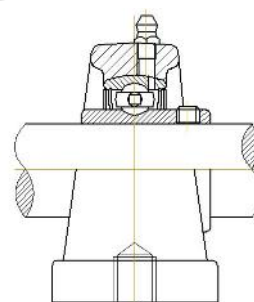
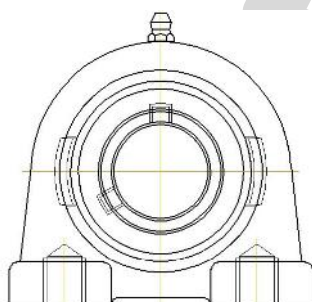
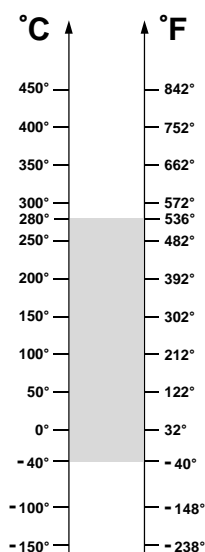
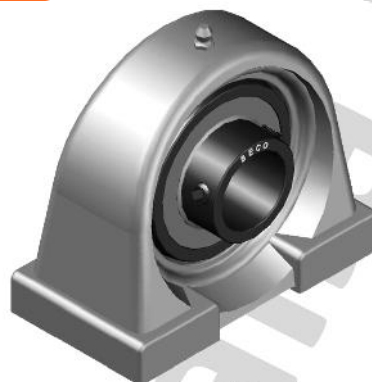


BHTS ZZ 280° (UCPA Serie)

Pillow Block for Extreme Temperature



* Dimensions available at PILLOW BLOCK HOUSINGS Pages

OPERATING RANGE: -40° / 280°C

ECONOMIC OPERATING RANGE: 200° / 280°C

Unit code	Bearing code	Housing code
UCPA 201 BHTS ZZ 280°	UC 201 BHTS ZZ 280°	PA 204 SS
UCPA 202 BHTS ZZ 280°	UC 202 BHTS ZZ 280°	PA 204 SS
UCPA 203 BHTS ZZ 280°	UC 203 BHTS ZZ 280°	PA 204 SS
UCPA 204 BHTS ZZ 280°	UC 204 BHTS ZZ 280°	PA 204 SS
UCPA 205 BHTS ZZ 280°	UC 205 BHTS ZZ 280°	PA 205 SS
UCPA 206 BHTS ZZ 280°	UC 206 BHTS ZZ 280°	PA 206 SS
UCPA 207 BHTS ZZ 280°	UC 207 BHTS ZZ 280°	PA 207 SS
UCPA 208 BHTS ZZ 280°	UC 208 BHTS ZZ 280°	PA 208 SS
UCPA 209 BHTS ZZ 280°	UC 209 BHTS ZZ 280°	PA 209 SS
UCPA 210 BHTS ZZ 280°	UC 210 BHTS ZZ 280°	PA 210 SS

OPERATING RANGE is the correct technical range in which can be used the bearing with good operating result.

ECONOMIC OPERATING RANGE is the range of temperature in which you can find, according to our study experience and know-how, the better relation price - quality life-time.