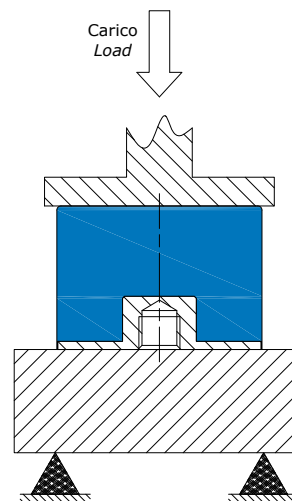
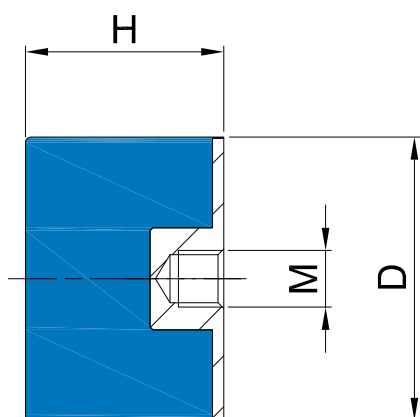
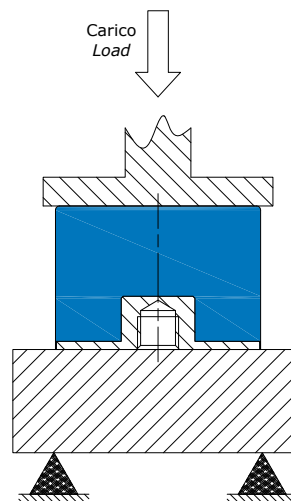
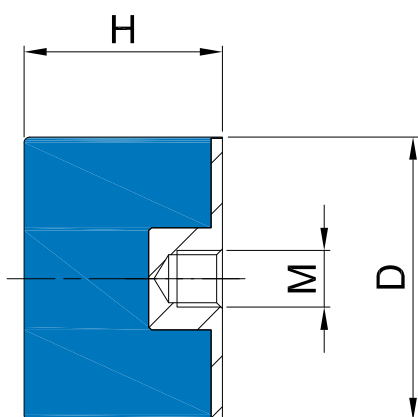


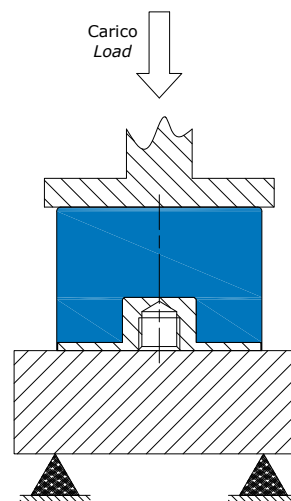
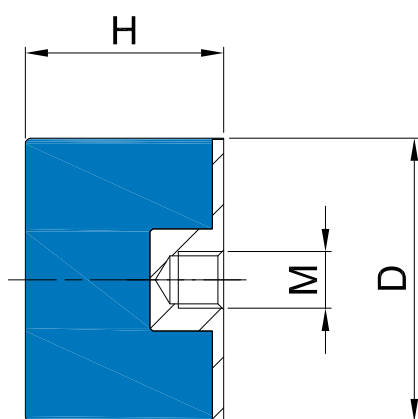
| Codice | D | H | M | Rigidezza 45 IRHD (daN/mm) | Rigidezza 60 IRHD (daN/mm) | Rigidezza 70 IRHD (daN/mm) | Deflessione statica max. (mm) |
|----------|----|----|----|----------------------------------|----------------------------------|----------------------------------|-------------------------------------|
| Item | D | H | M | Stiffness 45 IRHD (daN/mm) | Stiffness 60 IRHD (daN/mm) | Stiffness 70 IRHD (daN/mm) | Max static deflection (mm) |
| PF161004 | 16 | 10 | M4 | 8,1 | 13,3 | 17,9 | 2,0 |
| PF161005 | 16 | 10 | M5 | 8,1 | 13,3 | 17,9 | 2,0 |
| PF161504 | 16 | 15 | M4 | 4,3 | 7,7 | 10,8 | 3,0 |
| PF161505 | 16 | 15 | M5 | 4,3 | 7,7 | 10,8 | 3,0 |
| PF162004 | 16 | 20 | M4 | 2,4 | 4,4 | 6,1 | 4,0 |
| PF162005 | 16 | 20 | M5 | 2,4 | 4,4 | 6,1 | 4,0 |
| PF201506 | 20 | 15 | M6 | 7,0 | 13,3 | 18,4 | 3,0 |
| PF202006 | 20 | 20 | M6 | 4,0 | 7,5 | 10,4 | 4,0 |
| PF202506 | 20 | 25 | M6 | 2,9 | 5,5 | 7,7 | 5,0 |
| PF203006 | 20 | 30 | M6 | 2,0 | 3,7 | 5,2 | 6,0 |
| PF251506 | 25 | 15 | M6 | 14,0 | 26,9 | 37,7 | 3,0 |
| PF251706 | 25 | 17 | M6 | 12,1 | 22,6 | 31,4 | 3,4 |
| PF252006 | 25 | 20 | M6 | 9,8 | 18,1 | 24,5 | 4,0 |
| PF252008 | 25 | 20 | M8 | 9,8 | 18,1 | 24,5 | 4,0 |
| PF252208 | 25 | 22 | M8 | 7,9 | 14,5 | 20,0 | 4,4 |
| PF252506 | 25 | 25 | M6 | 5,5 | 10,3 | 14,3 | 5,0 |
| PF252508 | 25 | 25 | M8 | 5,5 | 10,3 | 14,3 | 5,0 |
| PF253008 | 25 | 30 | M8 | 4,0 | 7,6 | 10,0 | 6,0 |



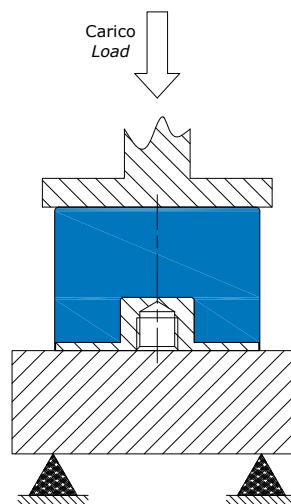
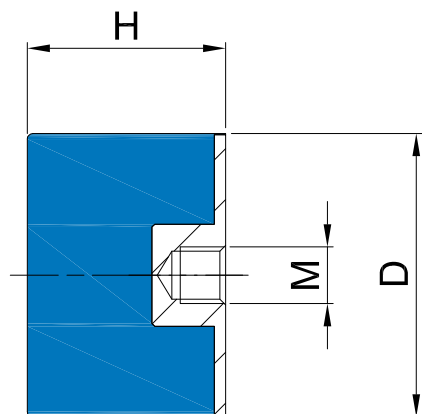
| Codice | D | H | M | Rigidezza 45 IRHD (daN/mm) | Rigidezza 60 IRHD (daN/mm) | Rigidezza 70 IRHD (daN/mm) | Deflessione statica max. (mm) |
|----------|----|----|-----|----------------------------------|----------------------------------|----------------------------------|-------------------------------------|
| Item | D | H | M | Stiffness 45 IRHD (daN/mm) | Stiffness 60 IRHD (daN/mm) | Stiffness 70 IRHD (daN/mm) | Max static deflection (mm) |
| PF301508 | 30 | 15 | M8 | 18,3 | 34,2 | 47,7 | 3,0 |
| PF301708 | 30 | 17 | M8 | 14,9 | 29,0 | 39,2 | 3,4 |
| PF302008 | 30 | 20 | M8 | 11,7 | 19,8 | 30,2 | 4,0 |
| PF302208 | 30 | 22 | M8 | 9,8 | 18,0 | 24,8 | 4,4 |
| PF302508 | 30 | 25 | M8 | 6,8 | 12,8 | 16,0 | 5,0 |
| PF303008 | 30 | 30 | M8 | 5,4 | 10,0 | 13,8 | 6,0 |
| PF304008 | 30 | 40 | M8 | 4,0 | 7,3 | 10,1 | 8,0 |
| PF402008 | 40 | 20 | M8 | 24,1 | 45,3 | 62,3 | 4,0 |
| PF402010 | 40 | 20 | M10 | 24,1 | 45,3 | 62,3 | 4,0 |
| PF402510 | 40 | 25 | M10 | 16,9 | 31,7 | 43,7 | 5,0 |
| PF402708 | 40 | 27 | M8 | 14,2 | 26,3 | 36,1 | 5,4 |
| PF402810 | 40 | 28 | M10 | 13,8 | 25,6 | 35,0 | 5,6 |
| PF403008 | 40 | 30 | M8 | 12,1 | 22,6 | 31,5 | 6,0 |
| PF403010 | 40 | 30 | M10 | 12,1 | 22,6 | 31,5 | 6,0 |
| PF403508 | 40 | 35 | M8 | 9,1 | 17,0 | 23,7 | 7,0 |
| PF403510 | 40 | 35 | M10 | 9,1 | 17,0 | 23,7 | 7,0 |
| PF404008 | 40 | 40 | M8 | 6,8 | 14,1 | 19,3 | 8,0 |
| PF404010 | 40 | 40 | M10 | 6,8 | 14,1 | 19,3 | 8,0 |



| Codice | D | H | M | Rigidezza 45 IRHD (daN/mm) | Rigidezza 60 IRHD (daN/mm) | Rigidezza 70 IRHD (daN/mm) | Deflessione statica max. (mm) |
|-----------------|----|----|-----|----------------------------------|----------------------------------|----------------------------------|-------------------------------------|
| Item | D | H | M | Stiffness 45 IRHD (daN/mm) | Stiffness 60 IRHD (daN/mm) | Stiffness 70 IRHD (daN/mm) | Max static deflection (mm) |
| PF404510 | 40 | 45 | M10 | 6,4 | 12,2 | 16,8 | 9,0 |
| PF502110 | 50 | 21 | M10 | 53,6 | 100,0 | 137,7 | 4,2 |
| PF502510 | 50 | 25 | M10 | 37,4 | 69,3 | 95,8 | 5,0 |
| PF503010 | 50 | 30 | M10 | 25,6 | 47,1 | 65,4 | 6,0 |
| PF503510 | 50 | 35 | M10 | 18,5 | 34,5 | 47,5 | 7,0 |
| PF504010 | 50 | 40 | M10 | 13,2 | 24,5 | 33,9 | 8,0 |
| PF504510 | 50 | 45 | M10 | 10,4 | 19,3 | 26,8 | z |
| PF505010 | 50 | 50 | M10 | 8,5 | 15,8 | 21,9 | 10,0 |
| PF582210 | 58 | 22 | M10 | 85,3 | 156,7 | 216,5 | 4,4 |
| PF602510 | 60 | 25 | M10 | 64,0 | 104,1 | 164,4 | 5,0 |
| PF603610 | 60 | 36 | M10 | 34,4 | 64,0 | 88,0 | 7,2 |
| PF603612 | 60 | 36 | M12 | 34,4 | 64,0 | 88,0 | 7,2 |
| PF604010 | 60 | 40 | M10 | 28,1 | 52,2 | 70,9 | 8,0 |
| PF604012 | 60 | 40 | M12 | 28,1 | 52,2 | 70,9 | 8,0 |
| PF604510 | 60 | 45 | M10 | 22,4 | 41,6 | 57,6 | 9,0 |
| PF604512 | 60 | 45 | M12 | 22,4 | 41,6 | 57,6 | 9,0 |
| PF605012 | 60 | 50 | M12 | 17,9 | 33,1 | 45,7 | 10,0 |
| PF605512 | 60 | 55 | M12 | 14,7 | 27,1 | 37,3 | 10,0 |



| Codice | D | H | M | Rigidezza 45 IRHD (daN/mm) | Rigidezza 60 IRHD (daN/mm) | Rigidezza 70 IRHD (daN/mm) | Deflessione statica max. (mm) |
|-----------------|----|----|-----|----------------------------------|----------------------------------|----------------------------------|-------------------------------------|
| Item | D | H | M | Stiffness 45 IRHD (daN/mm) | Stiffness 60 IRHD (daN/mm) | Stiffness 70 IRHD (daN/mm) | Max static deflection (mm) |
| PF653510 | 65 | 35 | M10 | 40,5 | 75,4 | 104,5 | 7,0 |
| PF654512 | 65 | 45 | M12 | 23,5 | 43,6 | 60,4 | 9,0 |
| PF655012 | 65 | 50 | M12 | 18,1 | 33,2 | 46,0 | 10,0 |
| PF703010 | 70 | 30 | M10 | 66,8 | 124,4 | 169,8 | 6,0 |
| PF703012 | 70 | 30 | M12 | 66,8 | 124,4 | 169,8 | 6,0 |
| PF703510 | 70 | 35 | M10 | 48,7 | 96,9 | 133,7 | 7,0 |
| PF703512 | 70 | 35 | M12 | 48,7 | 96,9 | 133,7 | 7,0 |
| PF704010 | 70 | 40 | M10 | 38,5 | 71,6 | 99,0 | 8,0 |
| PF704012 | 70 | 40 | M12 | 38,5 | 71,6 | 99,0 | 8,0 |
| PF704510 | 70 | 45 | M10 | 30,2 | 56,1 | 75,3 | 9,0 |
| PF704512 | 70 | 45 | M12 | 30,2 | 56,1 | 75,3 | 9,0 |
| PF705010 | 70 | 50 | M10 | 24,1 | 45,3 | 62,6 | 10,0 |
| PF705012 | 70 | 50 | M12 | 24,1 | 45,3 | 62,6 | 10,0 |
| PF706010 | 70 | 60 | M10 | 19,9 | 36,4 | 50,3 | 12,0 |
| PF706012 | 70 | 60 | M12 | 19,9 | 36,4 | 50,3 | 12,0 |
| PF707010 | 70 | 70 | M10 | 16,1 | 29,7 | 40,9 | 14,0 |
| PF707012 | 70 | 70 | M12 | 16,1 | 29,7 | 40,9 | 14,0 |
| PF752512 | 75 | 25 | M12 | 109,7 | 208,0 | 286,5 | 5,0 |



| Codice | D | H | M | Rigidezza 45 IRHD (daN/mm) | Rigidezza 60 IRHD (daN/mm) | Rigidezza 70 IRHD (daN/mm) | Deflessione statica max. (mm) |
|-------------------|-----|-----|-----|----------------------------------|----------------------------------|----------------------------------|-------------------------------------|
| Item | D | H | M | Stiffness 45 IRHD (daN/mm) | Stiffness 60 IRHD (daN/mm) | Stiffness 70 IRHD (daN/mm) | Max static deflection (mm) |
| PF754012 | 75 | 40 | M12 | 41,5 | 93,3 | 114,3 | 8,0 |
| PF755012 | 75 | 50 | M12 | 30,8 | 57,3 | 79,2 | 10,0 |
| PF755512 | 75 | 55 | M14 | 24,1 | 45,2 | 62,3 | 11,0 |
| PF803014 | 80 | 30 | M14 | 106,7 | 201,1 | 276,6 | 6,0 |
| PF804014 | 80 | 40 | M14 | 56,6 | 105,6 | 146,2 | 8,0 |
| PF805014 | 80 | 50 | M14 | 37,4 | 70,5 | 97,3 | 10,0 |
| PF806014 | 80 | 60 | M14 | 25,1 | 47,2 | 64,8 | 12,0 |
| PF807014 | 80 | 70 | M14 | 19,4 | 36,1 | 49,6 | 14,0 |
| PF808014 | 80 | 80 | M14 | 15,8 | 29,2 | 40,1 | 16 |
| PF1003016 | 100 | 30 | M16 | 161,9 | 405,3 | 546,7 | 6 |
| PF1004016 | 100 | 40 | M16 | 108,9 | 202,1 | 276,3 | 8 |
| PF1005016 | 100 | 50 | M16 | 68,2 | 127,0 | 175,4 | 10 |
| PF1005516 | 100 | 55 | M16 | 57,2 | 108,0 | 146,8 | 11 |
| PF1006016 | 100 | 60 | M16 | 46,7 | 86,3 | 119,1 | 12 |
| PF10010016 | 100 | 100 | M16 | 15,9 | 29,4 | 40,5 | 20 |