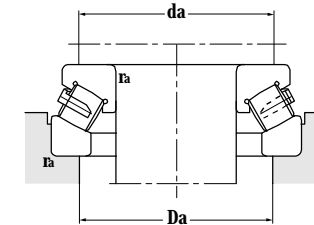
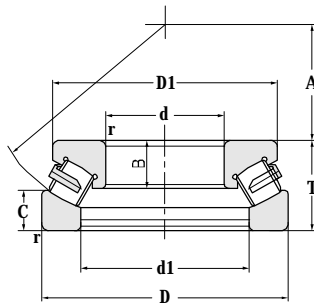


Thrust Spherical Roller Bearing(Symmetrical)

d 280~1320 mm



Principal dimensions				Basic load ratings		Limit speed ratings		Designations
d	D	T	r _{min}	C _r	C _{or}	Grease	Oil	
mm				kN		r/min		
280	440	95	5	1600	6060	530	750	29356/YAD 9069356
	440	95	5	1450	6060	530	750	
340	460	73	3	1250	2440	530	750	29268/YAD 29468A
	620	170	7.5	5050	19000	500	690	
380	600	132	6	3750	15200	500	690	29376/P5YAD
420	580	95	4.7	2060	4150	460	560	29284/YAD
440	780	206	9.5	7150	26000	400	450	29488A
490	655	90	5	2300	12000	400	450	217/490/YAD
500	870	224	9.5	6930	27700	260	340	294/500/YAD
590	755	95	5	2390	13200	260	340	217/590/YAD
630	850	132	6	3580	8350	250	300	292/630F3/YAD
670	900	140	6	3900	20300	200	240	292/670F3/YAD
710	950	145	6	3960	12000	200	240	292/710/YAD
750	1280	315	15	14850	31000	80	100	294/750F1/YAD 294/750F3/YAD
	1280	315	15	14850	31000	80	100	
1320	1540	175	6	6500	48500	60	80	217/1320

Other dimensions					Abutment and fillet dimensions			Weight
d1	D1	B	C	A	d _{amin}	D _{amax}	r _{amax}	
mm					mm			
348	413	64	46	158	355	390	4	49.1
348	413	64	46	158	355	390	4	49.1
388	438	48	36	204	400	422	2.5	31.4
450	520	102	77	201	440	500	6	197
475	561	106.5	61.4	216	480	550	5	131
489	548	62	46	251	500	525	4	78.9
583	650	115	96.5	260	550	630	8	355
552	627	52	40	482	615	635	4	73.7
654	760	140	108	290	685	755	8	462
654	727	55	41.5	570	715	735	4	90
728	800	86	65	338	740	780	5	231
750	830	86	70	365	760	820	5	210
805	895	92	75	380	820	880	5	279
972	1152	160	158	448	1015	1120	12	1340
972	1152	160	158	448	1015	1120	12	1340
1380	1510	98	72	1446	1495	1515	5	514