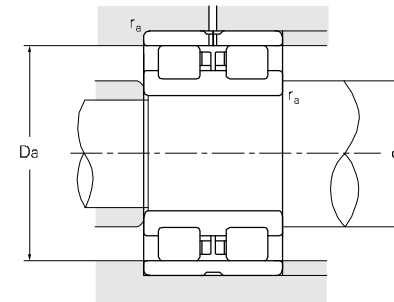
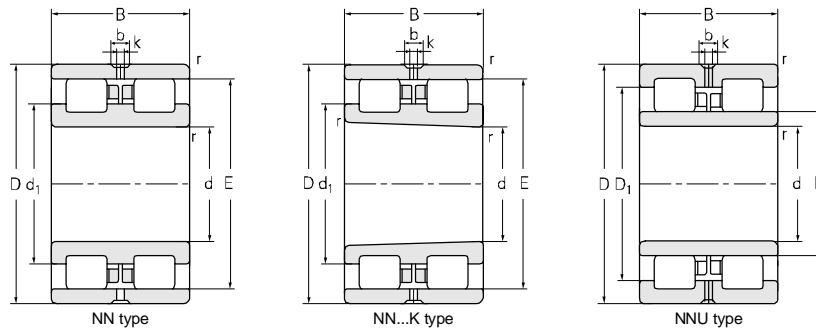


Double-row Cylindrical Roller Bearing

d 380~460 mm



Principal dimensions				Basic load ratings		Limit speed ratings		
d	D	B	r	E,F	C _r	C _{or}	Grease	Oil
mm				kN		r/min		
380	520	140	4.0	426	1640	4280	1300	1500
	520	140	4.0	426	1640	4280	1300	1500
	560	135	5.0	431	1860	3800	1300	1500
	560	135	5.0	515	1800	4100	1300	1500
	620	243	5.0	442	4130	8350	700	850
	620	243	5.0	442	4140	8350	700	850
	620	243	5.0	442	4100	8350	700	850
400	540	140	4	446	1700	4500	950	1000
	540	140	4	502	1700	4500	950	1000
	600	148	5	549	2360	4750	1150	1300
	600	170	5.0	450	2900	6000	800	950
	650	250	6.0	463	4700	9550	1000	1250
	650	250	6.0	463	4700	9550	1000	1250
	650	250	6.0	463	4700	9550	1000	1250
420	560	140	4.0	466	1650	4750	850	1000
	560	140	4.0	466	1810	4750	850	1000
	560	140	4.0	466	1810	4750	850	1000
	580	130	4.0	468	1790	4660	860	1100
	580	130	4.0	468	1790	4660	860	1100
	620	150	5	569	2100	4500	1000	1250
	620	150	5	469	2750	5570	1000	1250
	620	200	5	469	3450	7500	750	900
	620	220	5	469	3250	7810	750	900
	440	640	230	6.0	482	4790	10400	700
650		212	6	487	3850	8250	700	850
650		212	6	487	3850	8250	700	850
720		280	6	511	5650	11500	600	700
720		280	6	511	5650	11500	600	700
460	680	163	6.0	624	2600	6200	1000	1200
	680	163	6	624	2600	6200	1000	1200

Designations	Other dimensions				Contact surface and chamfer dimensions			Weight
	d1	D1	b	k	d _{amin}	D _{amax}	r _{amax}	
	mm				mm			kg
NUU4976K/SPC1W33	471	16.7	9	396	504	4	86.7	
NUU4976K/W33	471	16.7	9	396	504	4	86.7	
NUU3076	498			400	517	4	113.6	
NN3076K/P52W33	448	17.7	12	400	517	4	110	
NUU4176/C9	538			400	580	4	288	
NUU4176	538			400	580	4	288	
NUU4176/C9W33	538	16.7	9	400	580	4	287	
NUU4980K/W33	491	16.7	8	416	524	3	90.6	
NN4980K/SPW33	457	16.7	8	416	524	3	90.4	
NN3080K	472			426	580	4	141	
NUU3080X2/HC	532	22	10	426	580	4	172	
NUU4180	568			426	624	5	328	
NUU4180/W33	568	22.3	12	426	624	5	326	
NUU4180/HG2W33	568	22.3	12	426	624	5	326	
NUU4984K/P52W33	515	17.7	9	436	539	4	93.3	
NUU4984/SPW33	515	17.7	9	436	539	4	94.3	
NUU4984K/SPW33	515	17.7	9	436	600	4	93.3	
NU684ZWF1/YA3	522			563	465	4	110	
NU684ZWF1/C9YA3	522			563	465	4	110	
NN3084K/W33	497	16.7	9	574	539	4	135	
NUU3084	556			574	600	4	152	
NUU4084/W33	556	16.7	9	440	600	4	204	
NUU4084X3/HCEW33X	536	12	6	440	600	4	205	
NNP4088X3/W33	602	16.7	7.5	466	614	5	256	
NUU4088/W33	582	22.3	12	466	624	5	214	
NUU4088K/W33	582	22.3	12	466	624	5	214	
NUU4188K30M/W33	638	22.3	12	466	694	5	452	
NUU4188/W33	638	22.3	12	466	694	5	452	
NN3092K/P52W33	544	20.5	12	486	627	5	198	
NN3092/SPYB5W33	544	20.5	12	486	627	5	199	