

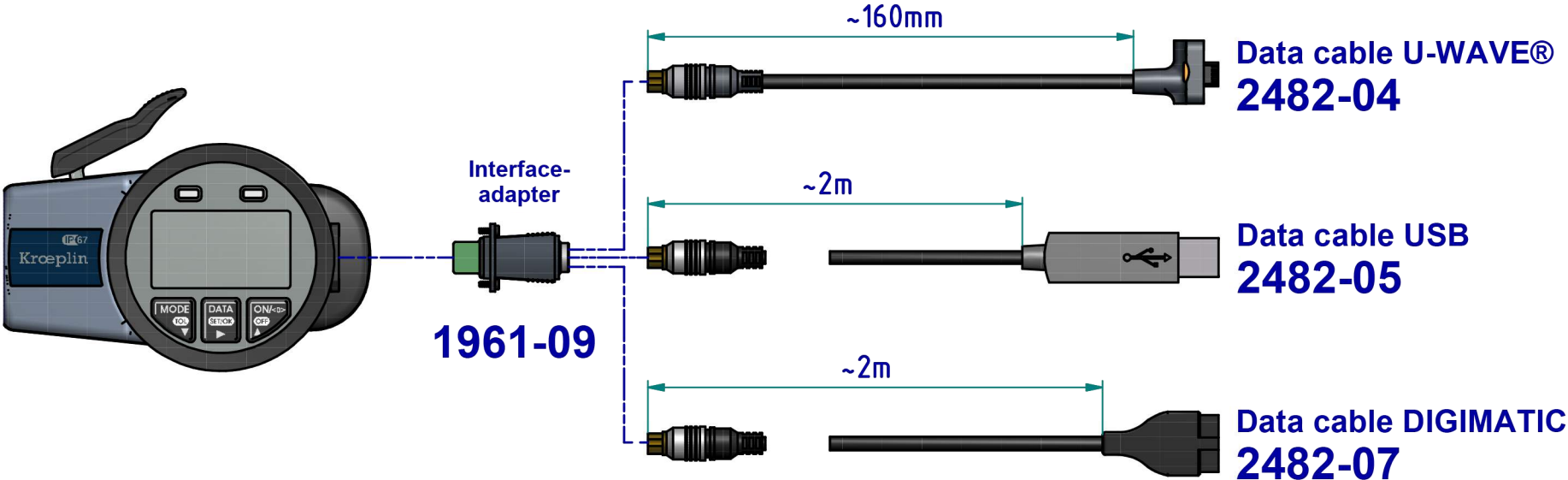
subject to technical alterations

type: E200
range: 15 - 65 mm
range of indication: 14,8 - 65,5 mm
digital step: 0,02 mm
scale interval:
measuring force: 1,0 - 1,8 N
weight: 415 g

acceptable deviations
 VDI/VDE/DGQ 2618 Bl. 12.1/13.1)
max. permissible errors "G": 0,06 mm
repeatability "r": 0,04 mm
reference temperature: 20° C
operation temperature: 10° C - 30° C
storage temperature: -10° C - 50° C

scale: 1 : 2
drawing-nr.: DAB-G415_KR_en
date of issue: 12.04.2013
name: Lange
revision status: 001
revision date: 13.05.2013

interface as accessories available:



subject to technical alterations

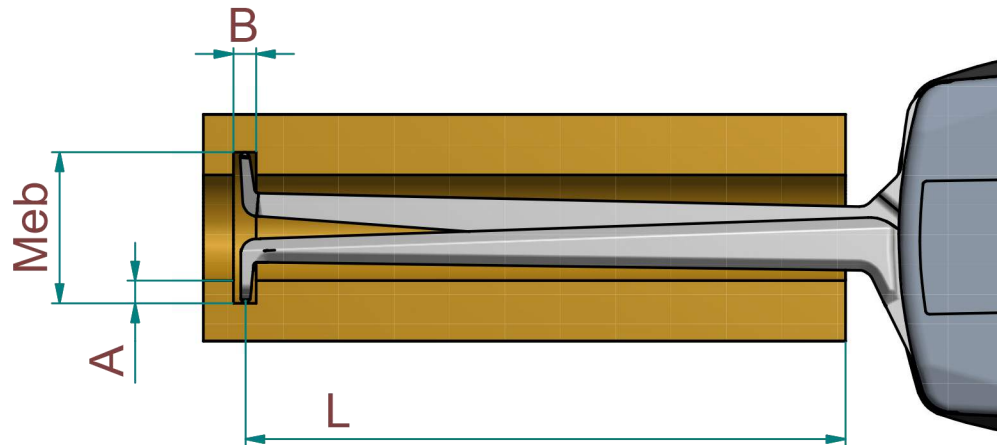
drawing-nr.:	DAB-G415_KR_en
date of issue:	12.04.2013
name:	Lange
revision status:	
revision date:	

measuring capacity

		measuring range M_{eb} [mm]													
		15	17	19	21	23	25	30	35	40	45	50	55	60	65
groove depth A [mm]	0	0 / 178	0 / 182	0 / 186	0 / 187	0 / 188	0 / 188	0 / 188	0 / 188	0 / 188	0 / 188	0 / 188	0 / 188	0 / 188	0 / 188
	1		2,0 / 147	2,0 / 154	2,0 / 166	2,0 / 183	2,0 / 187	2,0 / 188	2,0 / 188	2,0 / 188	2,0 / 188	2,0 / 188	2,0 / 188	2,0 / 188	2,0 / 188
	2			2,0 / 124	2,0 / 133	2,0 / 145	2,0 / 165	2,0 / 188	2,0 / 188	2,0 / 188	2,0 / 188	2,0 / 188	2,0 / 188	2,0 / 188	2,0 / 188
	3				2,1 / 101	2,1 / 111	2,1 / 124	2,1 / 186	2,1 / 188	2,0 / 188	2,1 / 188	2,0 / 188	2,0 / 188	2,1 / 188	2,1 / 188
	4					2,2 / 75	2,2 / 86	2,2 / 127	2,1 / 188	2,1 / 188	2,1 / 188	2,1 / 188	2,1 / 188	2,1 / 188	2,1 / 188
	5						2,2 / 43	2,2 / 66	2,2 / 179	2,1 / 188	2,1 / 188	2,1 / 188	2,1 / 188	2,2 / 188	2,2 / 188
	B / L														

B = minimum groove width [mm]
L = maximum usable arm length [mm]

Example: $M_{eb} = 21$ $B = 2,0$
 $A = 2$ $L = 133$



subject to technical alterations

drawing-nr.: DAB-G415_KR_en
date of issue: 03.07.2013
name: Lange
revision status:
revision date: