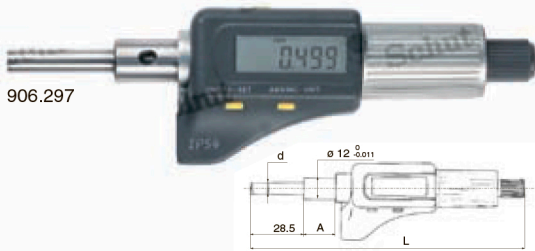
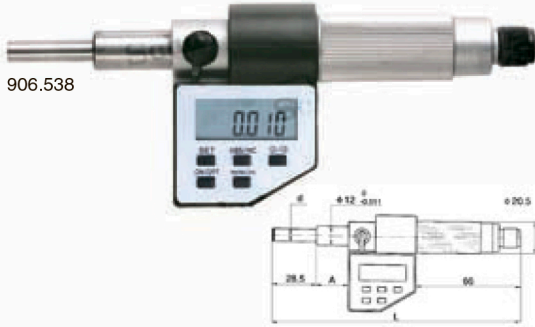


# Digital micrometer heads

Several digital micrometer heads with different possibilities.

- Measuring range: 0-25 mm.
- Resolution: 0.001 mm.
- Accuracy:  $\pm 0.003$  mm.
- mm/inch conversion.

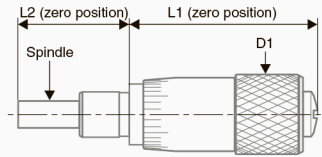
- ABS/INC switchable.
- On/off switch.
- Automatic switch-off.
- Memory absolute measuring value.
- Preset for ABS measurement.
- Friction thimble.
- Tungsten carbide measuring face.
- Protection: IP54 (only 906.297/298).
- Power supply: 1 battery type V357.



Item No.	Meas. range mm	Dimensions mm		
		d	A	L
906.538	0-25	$\phi 6.5$	17.5	153.5
906.539	0-25	$\phi 8$	20.5	156.5
<b>With IP54 protection:</b>				
906.297	0-25	$\phi 6.5$	17.5	149.5
906.298	0-25	$\phi 8$	20	152.5
<b>Option:</b>				
836.535	Spare battery			

# Micrometer heads

- Measuring range: 0-25 mm.
- Graduation: 0.01 mm or vernier 0.002 mm.



Item No.	Measuring range/mm	Graduation mm	Accuracy mm	Spindle $\phi$ /mm	Dimensions/mm clamping			
					D1	L1	L2	
<b>Without friction thimble, steel measuring face:</b>								
906.070	0- 6.5	0.01	$\pm 0.005$	3.5 (flat)	$\phi 6 \times 6$	$\phi 10$	23	14
906.074	0- 6.5	0.01	$\pm 0.005$	3.5 (spherical)	$\phi 6 \times 6$	$\phi 10$	23	14
906.071	0-13	0.01	$\pm 0.004$	5.0 (flat)	$\phi 9.5 \times 9.5$	$\phi 14$	33	26
<b>Friction thimble with spring click in measuring thimble, tungsten carbide measuring face:</b>								
906.072	0-25	0.01	$\pm 0.003$	6.5 (flat)	$\phi 12 \times 17$	$\phi 19$	65	46
906.073	0-25	0.002	$\pm 0.003$	6.5 (flat)	$\phi 12 \times 17$	$\phi 19$	65	46