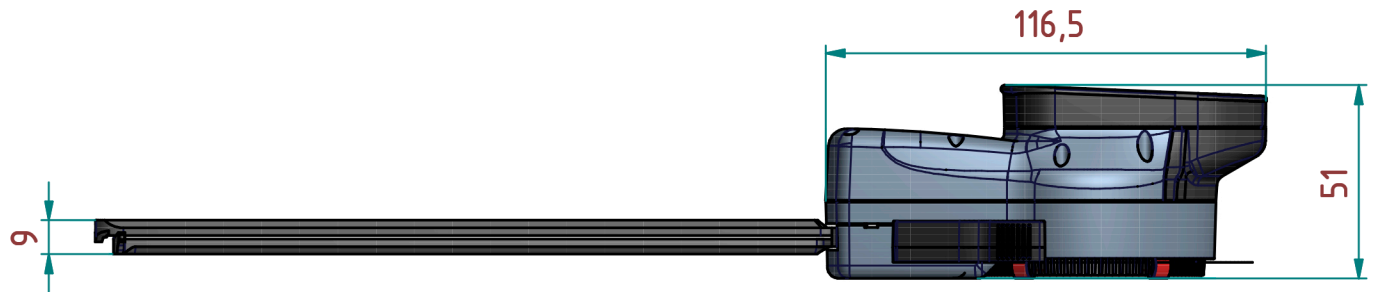
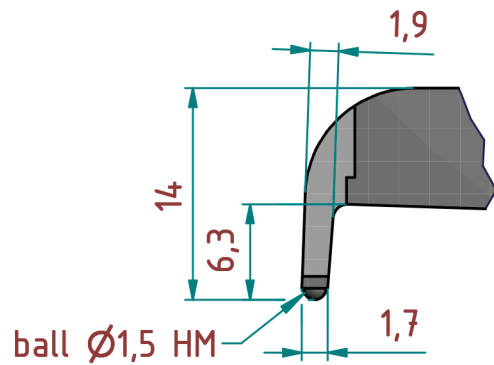


A ( 2 : 1 )



subject to technical alterations

type: M200  
range: 15 - 65 mm  
range of indication: 14,8 - 65,5 mm  
digital step:  
scale interval: 0,050 mm  
measuring force: 0,9 - 1,9 N  
weight: 355 g

acceptable deviations  
VDI/VDE/DGQ 2618 Bl. 12.1/13.1)  
max. permissible  
errors "G": 0,050 mm  
repeatability "r": 0,025 mm  
reference temperature: 20° C  
operation temperature: 10° C - 30° C  
storage temperature: -10° C - 50° C

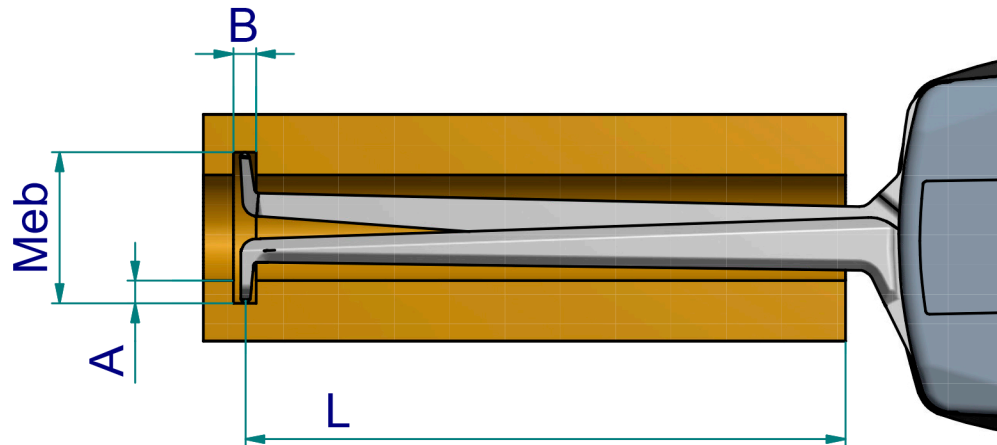
scale: 1 : 2  
drawing-nr.: DAB-H415\_KR\_en  
date of issue: 12.04.2013  
name: Lange  
revision status: 001  
revision date: 13.05.2013

measuring capacity

		measuring range $M_{eb}$ [mm]													
		15	17	19	21	23	25	30	35	40	45	50	55	60	65
groove depth $A$ [mm]	0	0 / 178	0 / 182	0 / 186	0 / 187	0 / 188	0 / 188	0 / 188	0 / 188	0 / 188	0 / 188	0 / 188	0 / 188	0 / 188	0 / 188
	1		2,0 / 147	2,0 / 154	2,0 / 166	2,0 / 183	2,0 / 187	2,0 / 188	2,0 / 188	2,0 / 188	2,0 / 188	2,0 / 188	2,0 / 188	2,0 / 188	2,0 / 188
	2			2,0 / 124	2,0 / 133	2,0 / 145	2,0 / 165	2,0 / 188	2,0 / 188	2,0 / 188	2,0 / 188	2,0 / 188	2,0 / 188	2,0 / 188	2,0 / 188
	3				2,1 / 101	2,1 / 111	2,1 / 124	2,1 / 186	2,1 / 188	2,0 / 188	2,1 / 188	2,0 / 188	2,0 / 188	2,1 / 188	2,1 / 188
	4					2,2 / 75	2,2 / 86	2,2 / 127	2,1 / 188	2,1 / 188	2,1 / 188	2,1 / 188	2,1 / 188	2,1 / 188	2,1 / 188
	5						2,2 / 43	2,2 / 66	2,2 / 179	2,1 / 188	2,1 / 188	2,1 / 188	2,1 / 188	2,2 / 188	2,2 / 188
	<b>B / L</b>														

B = minimum groove width [mm]  
L = maximum usable arm length [mm]

Example:  $M_{eb} = 21$      $B = 2,0$   
 $A = 2$              $L = 133$



subject to technical alterations

drawing-nr.: DAB-H415\_KR\_en  
date of issue: 01.07.2013  
name: Lange  
  
revision status:  
revision date: