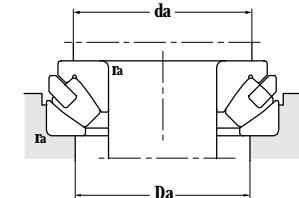
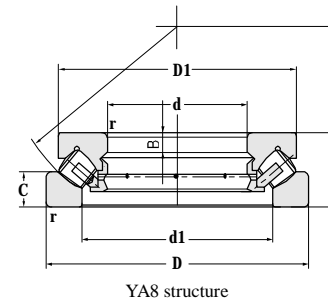
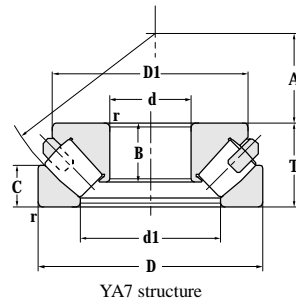
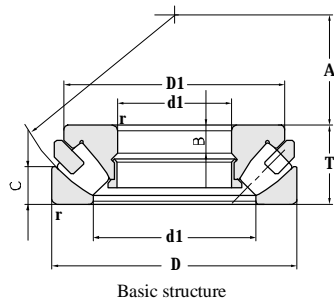


Thrust Spherical Roller Bearing(Asymmetrical)

d 200~340 mm



Principal dimensions				Basic load ratings		Limit speed ratings		Designations
d	D	T	r <sub>min</sub>	C <sub>r</sub>	C <sub>or</sub>	Grease	Oil	
mm				kN		r/min		
<b>200</b>	400	122	5	2480	9100	600	800	<b>29440/YA7</b>
<b>220</b>	300	48	2	665	2780	-	1300	<b>29244</b>
	360	85	4	1920	2800	670	900	<b>29344</b>
	360	85	4	1920	6050	670	900	<b>29344J</b>
	360	85	4	1920	6050	670	900	<b>29344/YA8</b>
	420	122	6	3220	9270	560	750	<b>29444</b>
<b>240</b>	340	60	2.1	910	4360	670	900	<b>29248</b>
	380	85	4	1960	6290	600	800	<b>29348</b>
	380	85	4	1960	6290	600	800	<b>29348/YA7</b>
	380	85	4	1960	6500	600	800	<b>29348/YA8</b>
	440	122	6	3270	10100	530	750	<b>29448</b>
<b>260</b>	360	60	2.1	830	4150	-	1100	<b>29252</b>
	420	95	5	2450	7970	600	800	<b>29352</b>
	480	132	6	3890	12400	500	670	<b>29452J</b>
	480	132	6	3890	13400	500	670	<b>29452J/HC</b>
	480	132	6	3890	12400	500	670	<b>29452J/HC-1</b>
<b>280</b>	380	60	2.1	895	3840	700	1000	<b>29256</b>
	440	95	5	2450	8300	500	670	<b>29356</b>
	520	145	6	4700	14700	480	630	<b>29456</b>
	520	145	6	4700	14700	480	630	<b>29456F1</b>
	<b>300</b>	420	73	3	1220	6200	-	900
480		109	5	2530	10500	700	750	<b>29360</b>
540		145	6	3500	14800	450	600	<b>29460</b>
<b>320</b>	440	73	3	1320	7050	670	900	<b>29264</b>
	500	109	5	3250	10800	600	800	<b>29364</b>
	500	109	5	3250	10800	600	800	<b>29364/HC</b>
	580	155	7.5	4750	18200	430	560	<b>29464/YA8</b>
<b>340</b>	540	122	5	3150	12400	600	800	<b>29368</b>

Other dimensions					Abutment and fillet dimensions			Weight
d1	D1	B	C	A	d <sub>amin</sub>	D <sub>amax</sub>	r <sub>amax</sub>	
mm					mm			
276.5	360	94	56.7	122	295	337	4	85
254	284.4	15	24	117	260	273	2	9.20
277.5	330	29	40.7	125	285	316	3	28.6
273.5	326.3	55	41	125	285	316	3	31
277.5	330	29	40.7	125	285	316	3	29.4
300	381	43	56.9	132	315	358	5	73.2
281	316	19	30	130	290	308	2	15.7
298.5	360	29	41.7	135	305	336	3	35.4
298.5	360	63.5	41.7	135	305	336	3	35.6
298.5	365	29	41.7	135	305	336	3	20.3
316	400	43	60	142	335	378	5	96.1
302	338	19	30	139	310	326	2	16.9
327.5	392.3	32	46	148	335	380	4	50.2
353	446	83	65	154	360	412	5	98.6
342	432	88.2	65	154	360	412	5	101
353	446	83	65	154	360	412	5	98.6
322.5	364	19	29.5	150	325	347	2	21.7
346	411	32	46.3	158	360	400	4	50.6
373.5	470	54	68.9	166	395	446	5	127
373.5	470	54	68.9	166	395	446	5	125
405	353	21	38	162	360	380	2.5	29.5
371.5	448	37	53	168	385	423	4	72.7
395	494.4	52	68.3	175	395	446	5	138
369.5	419.4	21	36	172	375	410	2.5	31.4
394.5	466.5	37	53	180	340	456	4	75.8
394.5	466.5	37	53	180	340	456	4	75.8
420	534	55	75	191	450	500	6	170
421	503	41	59.5	192	440	479	4	101