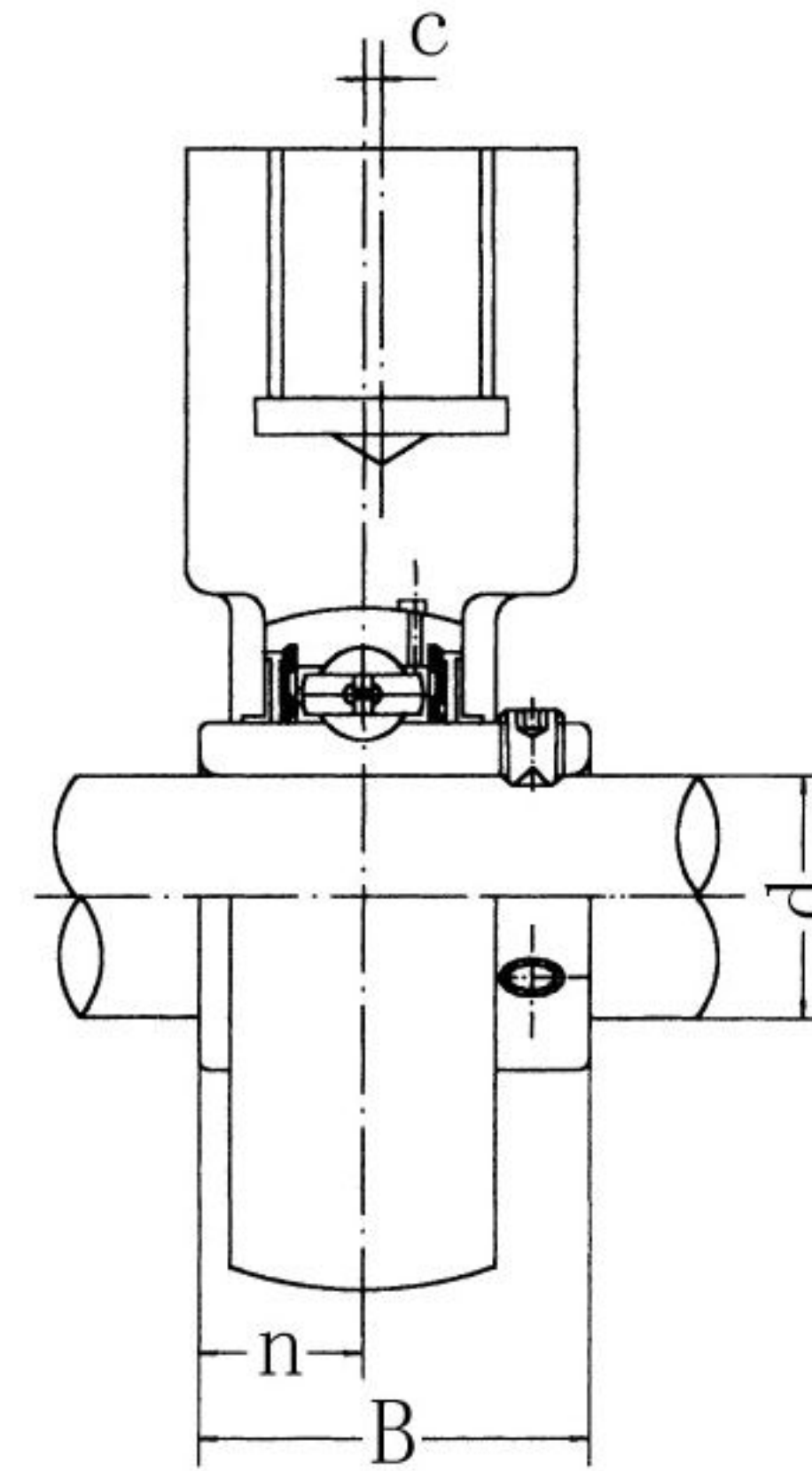
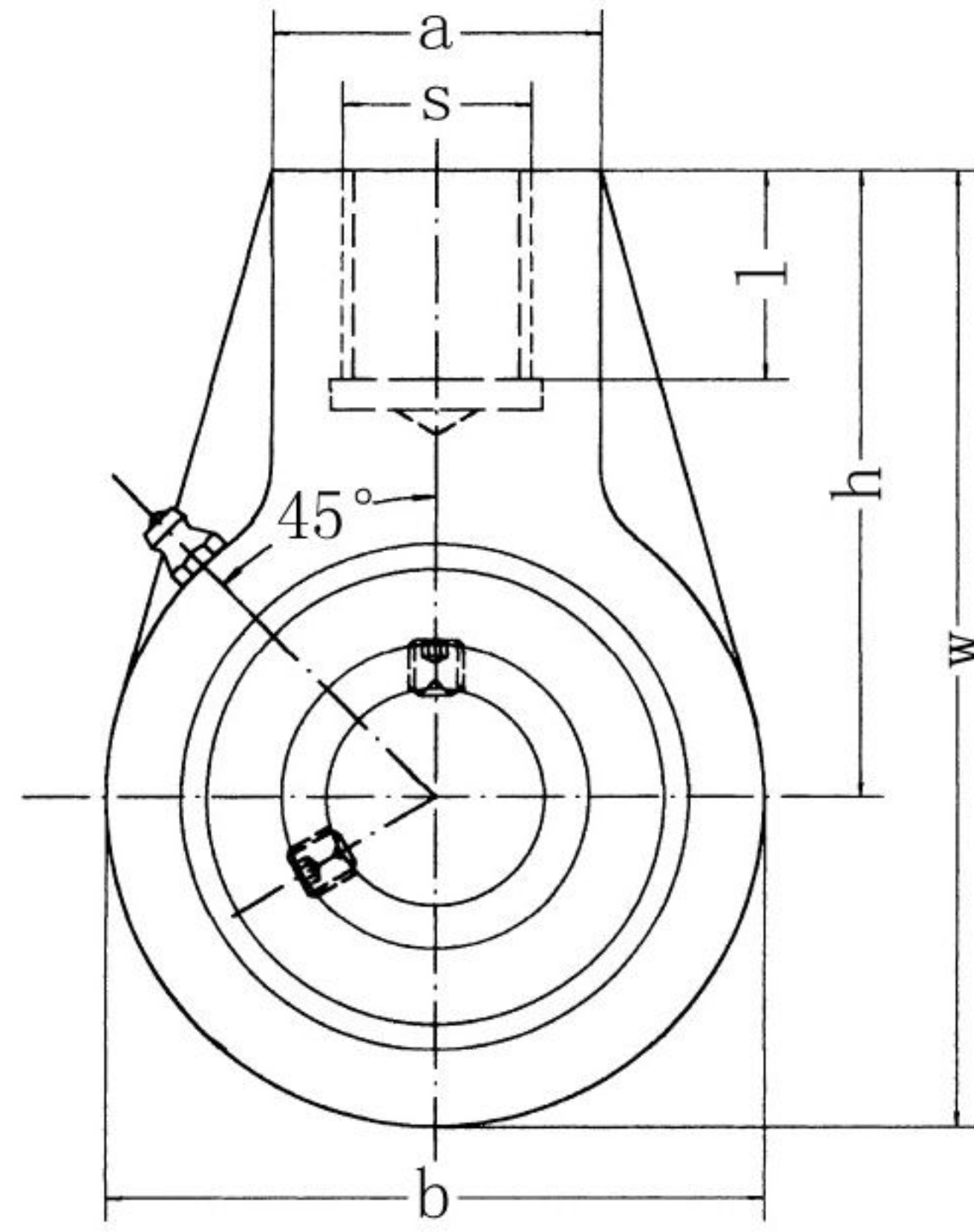


**UCHA2(Normal-duty)**
**Screw Conveyor Hanger Units**


Unit No.	Dimensions <sup>mm</sup> <sub>in.</sub>										Bearing No.	Housing No.	Weight (kg)
	d	h	w	b	c	a	S	l	B	n			
UCHA201	12	64	96	64	0	40		19	31	12.7	UC201	HA204	0.73
UCHA201-8	1/2										UC201-8		0.72
UCHA202	15										UC202		0.72
UCHA202-9	9/16										UC202-9		0.72
UCHA202-10	5/8										UC202-10		0.72
UCHA203	17	2-33/64	3-25/32	2-33/64	0	1-37/64	G-3/4	3/4	1.2205	0.500	UC203		0.71
UCHA203-11	11/16										UC203-11		0.70
UCHA204	20										UC204		0.69
UCHA204-12	3/4										UC204-12		0.69
UCHA205	25	64	103	78	0	40		19	34.1	14.3	UC205	HA205	0.83
UCHA205-13	13/16										UC205-13		0.87
UCHA205-14	7/8	2-33/64	4-1/16	3-5/64	0	1-37/64	G-3/4	3/4	1.3425	0.563	UC205-14		0.86
UCHA205-15	15/16										UC205-15		0.84
UCHA205-16	1										UC205-16		0.83
UCHA206	30	64	103	78	0	40		19	38.1	15.9	UC206	HA206	0.83
UCHA206-17	1-1/16										UC206-17		0.86
UCHA206-18	1-1/8	2-33/64	4-1/16	3-5/64	0	1-37/64	G-3/4	3/4	1.5000	0.626	UC206-18		0.85
UCHA206-19	1-3/16										UC206-19		0.83
UCHA206-20	1-1/4										UC206-20		0.82
UCHA207	35	70	116	92	0	40		19	42.9	17.5	UC207	HA207	1.16
UCHA207-20	1-1/4										UC207-20		1.22
UCHA207-21	1-5/16	2-3/4	4-9/16	3-5/8	0	1-37/64	G-3/4	3/4	1.6890	0.689	UC207-21		1.19
UCHA207-22	1-3/8										UC207-22		1.16
UCHA207-23	1-7/16										UC207-23		1.13
UCHA208	40	73	121	96	2	40		19	49.2	19	UC208	HA208	1.32
UCHA208-24	1-1/2	2-7/8	4-49/64	3-25/32	5/64	1-37/64	G-3/4	3/4	1.9370	0.748	UC208-24		1.36
UCHA208-25	1-9/16										UC208-25		1.33
UCHA209	45	82	136	108	5	48		21	49.2	19	UC209	HA209	1.92
UCHA209-26	1-5/8										UC209-26		2.02
UCHA209-27	1-11/16	3-15/64	5-23/64	4-1/4	13/64	1-57/64	G1	53/64	1.9370	0.748	UC209-27		1.98
UCHA209-28	1-3/4										UC209-28		1.94
UCHA210	50	83	142	118	5	48		21	51.6	19	UC210	HA210	1.90
UCHA210-29	1-13/16										UC210-29		2.02
UCHA210-30	1-7/8	3-17/64	5-19/32	4-41/64	13/64	1-57/64	G1	53/64	2.0315	0.748	UC210-30		1.97
UCHA210-31	1-15/16										UC210-31		1.92
UCHA210-32	2										UC210-32		1.88
UCHA211	55	87	150	126	7	60		25	55.6	22.2	UC211	HA211	2.61
UCHA211-32	2										UC211-32		2.76
UCHA211-33	2-1/16	3-27/64	5-29/32	4-61/64	9/32	2-23/64	G1-1/4	63/64	2.1890	0.874	UC211-33		2.70
UCHA211-34	2-1/8										UC211-34		2.65
UCHA211-35	2-3/16										UC211-35		2.59
UCHA212	60	102	173	142	9	60		28	65.1	25.4	UC212	HA212	3.54
UCHA212-36	2-1/4										UC212-36		3.67
UCHA212-37	2-5/16	4-1/64	6-13/16	5-19/32	23/64	2-23/64	G1-1/4	1-7/64	2.5630	1.000	UC212-37		3.59
UCHA212-38	2-3/8										UC212-38		3.52
UCHA212-39	2-7/16										UC212-39		3.45
UCHA213	65	117	200	166	9.5	70		32	65.1	25.4	UC213	HA213	5.80
UCHA213-40	2-1/2	4-39/64	7-7/8	6-17/32	3/8	2-3/4	G1-1/2	1-17/64	2.5630	1.000	UC213-40		5.89
UCHA213-41	2-9/16										UC213-41		5.80
UCHA214	70	117	200	166	9.5	70		32	74.6	30.2	UC214	HA214	5.67
UCHA214-42	2-5/8										UC214-42		5.67
UCHA214-43	2-11/16	4-39/64	7-7/8	6-17/32	3/8	2-3/4	G1-1/2	1-17/64	2.9370	1.189	UC214-43		5.67
UCHA214-44	2-3/4										UC214-44		5.67
UCHA215	75	117	200	166	9.5	70		32	77.8	33.3	UC215	HA215	5.58
UCHA215-45	2-13/16										UC215-45		5.58
UCHA215-46	2-7/8	4-39/64	7-7/8	6-17/32	3/8	2-3/4	G1-1/2	1-17/64	3.0630	1.311	UC215-46		5.58
UCHA215-47	2-15/16										UC215-47		5.58
UCHA215-48	3										UCHA215-48		5.58