

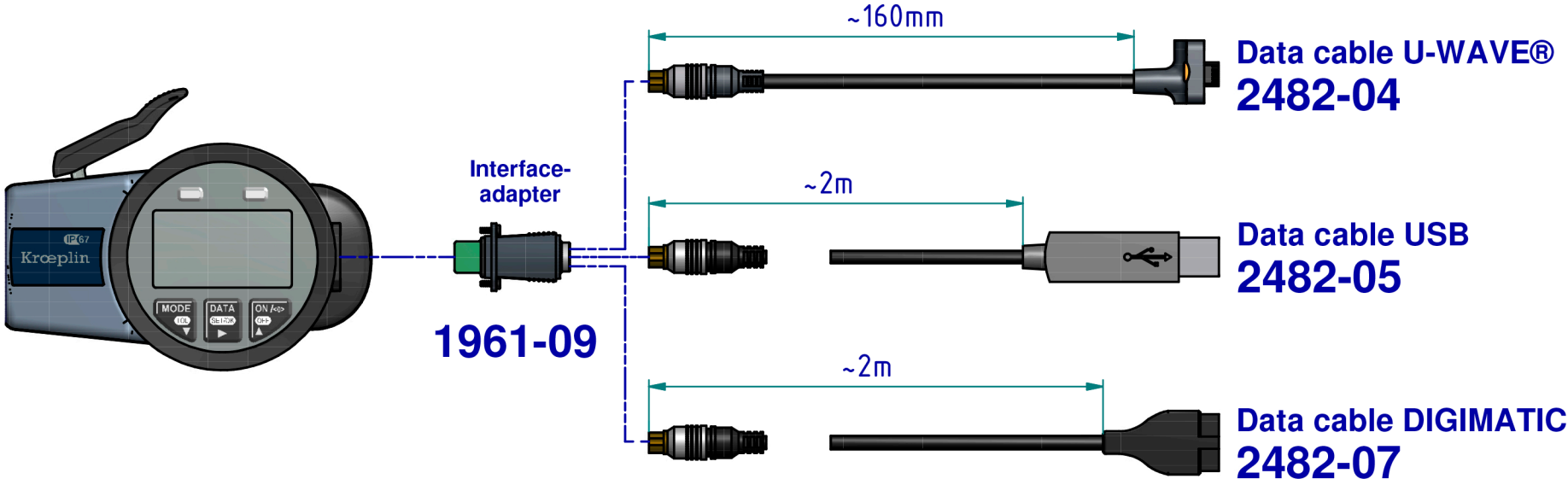
subject to technical alterations

| | |
|-----------------------------|------------------------|
| type: | E200 |
| range: | 50 - 150 mm |
| range of indication: | 49,5 - 150,5 mm |
| digital step: | 0,05 mm |
| scale interval: | |
| measuring force: | 0,8 - 2,0 N |
| weight: | 650 g |

| | |
|---|-----------------------|
| <small>acceptable deviations VDI/VDE/DGQ 2618 Bl. 12.1/13.1</small> | |
| max. permissible errors "G": | |
| errors "G": | 0,15 mm |
| repeatability "r": | 0,10 mm |
| reference temperature: | 20° C |
| operation temperature: | 10° C - 30° C |
| storage temperature: | -10° C - 50° C |

| | |
|-------------------------|-----------------------|
| scale: | 1 : 2 |
| drawing-nr.: | DAB-G850_KR_en |
| date of issue: | 12.04.2013 |
| name: | Lange |
| revision status: | 2096 / MHe |
| revision date: | 30.03.2015 |

interface as accessories available:



subject to technical alterations

| | |
|------------------|----------------|
| drawing-nr.: | DAB-G850_KR_en |
| date of issue: | 12.04.2013 |
| name: | Lange |
| revision status: | 2096 / MHe |
| revision date: | 30.03.2015 |