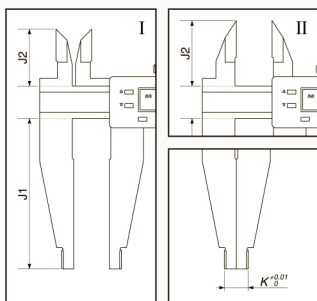
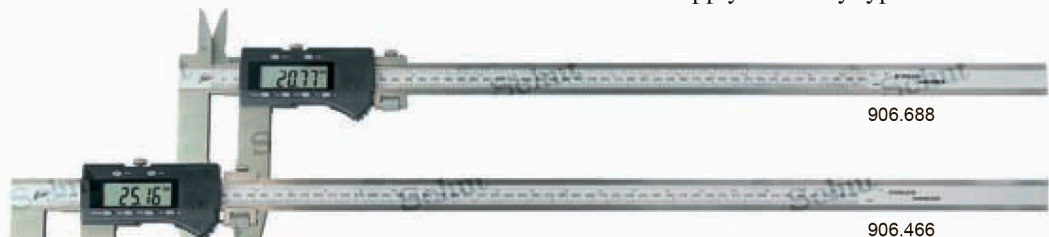


# Absolute digital workshop calipers

- Measuring range: 0-2000 mm.
- Resolution: 0.01 mm.
- mm/inch conversion.
- ABS/INC switchable.
- On/off switch.
- Reset.

- Preset (except 906.460/686/708).
- Memory for measuring values when the display is switched off.
- Fine adjustment.
- Rounded jaw ends for internal measurements.
- Power supply: 1 battery type V357.



## With measuring knives

Item No.	Measuring range mm	Length mm		
		J1	J2	K
<b>Meas. knives for internal measurements (I):</b>				
906.686	0 - 300	75	28	10
906.687	0 - 300	150	45	20
906.688	0 - 500	150	45	20
906.689	0 - 500	200	60	20
906.690	0 - 500	250	60	20
906.691	0 - 600	150	45	20
906.692	0 - 600	200	60	20
906.693	0 - 600	300	60	20
906.694	0-1000	200	60	20
906.695	0-1000	300	60	20
906.696	0-1500	200	60	20
906.697	0-1500	300	60	20
906.698	0-2000	200	60	20
906.699	0-2000	300	60	20

## Without measuring knives

Item No.	Measuring range mm	Length mm	
		J1	K
906.708	0 - 300	75	10
906.709	0 - 300	150	20
906.465	0 - 500	150	20
906.470	0 - 500	200	20
906.718	0 - 500	250	20
906.466	0 - 600	150	20
906.471	0 - 600	200	20
906.719	0 - 600	300	20
906.467	0-1000	200	20
906.472	0-1000	300	20
906.468	0-1500	200	20
906.473	0-1500	300	20
906.469	0-2000	200	20
906.474	0-2000	300	20

## Meas. knives for external measurements (II):

906.460	0 - 300	75	38	10
906.758	0 - 300	150	56	20
906.461	0 - 500	150	56	20
906.759	0 - 500	200	67	20
906.760	0 - 500	250	80	20
906.761	0 - 600	150	56	20
906.762	0 - 600	200	67	20
906.763	0 - 600	300	80	20
906.462	0-1000	200	67	20
906.764	0-1000	300	80	20
906.463	0-1500	200	80	20
906.765	0-1500	300	80	20
906.464	0-2000	200	80	20
906.766	0-2000	300	80	20

Item No.	Description
----------	-------------

836.535	Spare battery
---------	---------------