

## Self-Contained Freewheels

# FS 750-1027, FSO 750-1027, HPI 750-1027



### TYPE



FSO

Types FS, FSO, and HPI 750 to 1027 are sprag type freewheels self-contained, sealed and bearing supported, using two ball bearings.

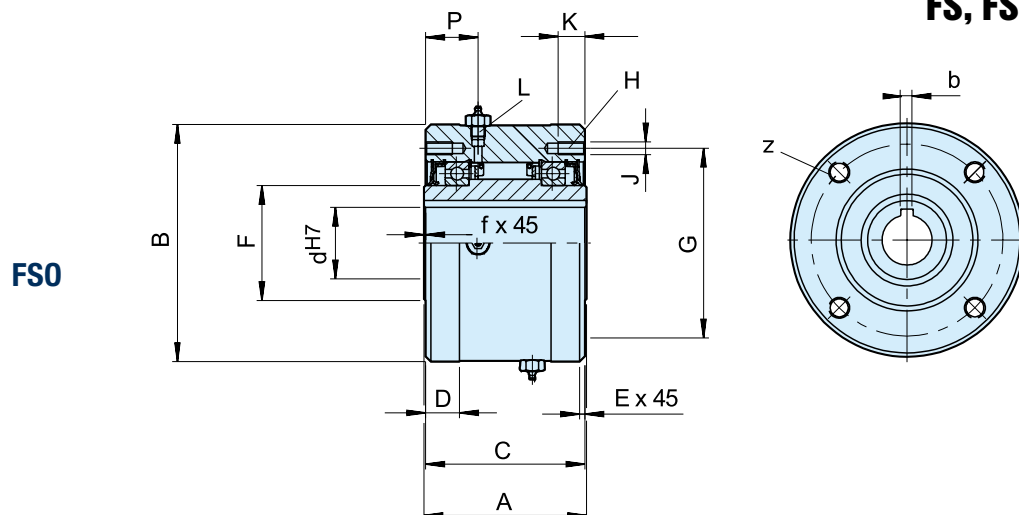
Units are delivered oil or grease lubricated according to the type. It is a Formsprag USA design that uses tall sprags with multi-radius active surfaces. Designed specially for large size freewheels to compensate for any eccentricity due to bearing wear. Types FS and HPI are

oil lubricated and use standard shaft lip seals. Type FSO is grease lubricated and equipped with special grease seals.

Type HPI is specially designed for high speed indexing applications. Each of the different models show a range of standard metric bore diameters. We can supply any bore size between the minimum and maximum specified in the table, including imperial sizes.

# Self-Contained Freewheels

## FS, FSO, HPI 750-1027



Type	Size	Overrunning speeds				Number													Lubricant			Weight	Drag torque					
		FSO	FS	d <sup>H7</sup> -bxh	d <sup>4)</sup>	A	B <sup>5)</sup>	C	D	E	F	G	z	J	K	L	P	f	FSO	HPI	FS			T <sub>R</sub>				
		T <sub>KN</sub> <sup>1)</sup> [Nm]	n <sub>max</sub> <sup>2)</sup> [min <sup>-1</sup> ]	n <sub>max</sub> <sup>3)</sup> [min <sup>-1</sup> ]	min-max [mm]	min-max [mm]	-0,05 [mm]	[mm]	[mm]	[mm]	[mm]	[mm]	[mm]	[mm]	[mm]	[mm]	[mm]	[ml]	[ml]	[ml]	[kg]	[Ncm]						
FSO FS HPI	750	9660	1800/650	1000/650	65-18x11	57-87	152,4	222,25	149,2	31,7	1,6	107,74	177,8	8*	M12*	25	1/2-20	49,2	1,6	222	384	207	38	5,08				
					70-20x12																							
					75-20x12																							
					80-22x14																							
					85-22x14																							
	800	17940	1500/525	850/525	80-22x14	66-112	152,4	254,00	149,2	31,7	1,6	139,70	227,0	8	M12	25	1/2-20	49,2	1,6	222	444	251	46	7,12				
					90-25x14																							
					100-28x16																							
					110-28x16																							
	900	24408	1350/500	700/500	100-28x16	92-138	161,9	304,80	158,7	34,9	1,6	161,92	247,65	10	M16	32	1/2-20	54	1,6	532	473	340	71	8,47				
					110-28x16																							
					120-32x18																							
					130-32x18																							
	1027	36612	700/375	500/375	130-32x18	125-177	168	381,00	165,1	34,9	3,2	228,60	298,45	12	M16	32	1/2-20	54	3,2	651	946	473	113	13,56				
					150-36x20																							
175-45x25																												

### NOTES

- 1)  $T_{max} = 1.5 \times T_{KN}$   
» Refer to Selection page 7 to 11
- 2) Inner race/outer race
- 3) Inner race/outer race labyrinth seal
- 4) Inch bore available on request
- \*) 6 holes equally spaced at 60° plus 2 extra-holes at 180°
- 5) Tolerance for sizes 900 and 1027: -0,08

### MOUNTING EXAMPLE

