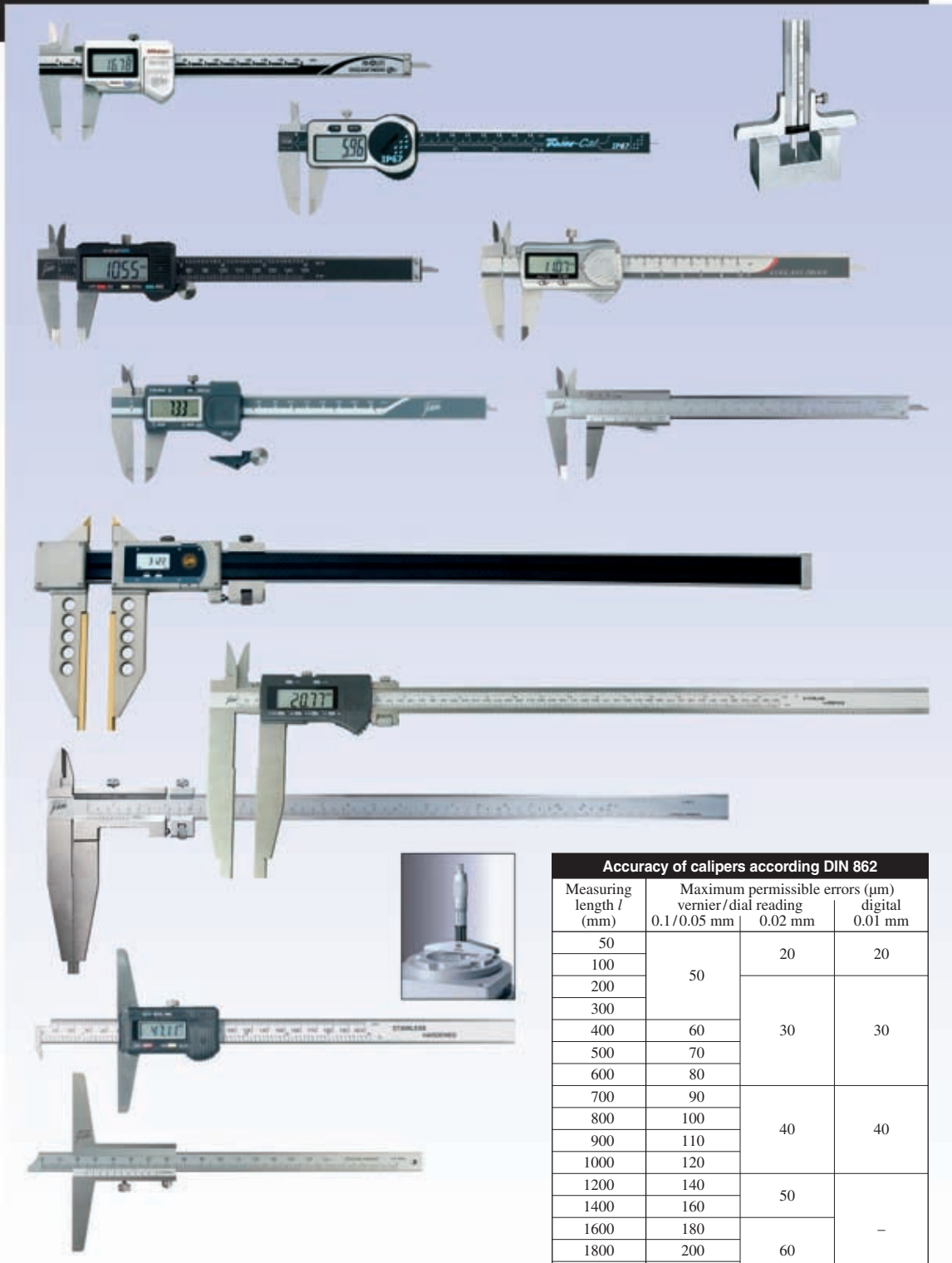


Schut for Precision

Calipers / Depth calipers and micrometers



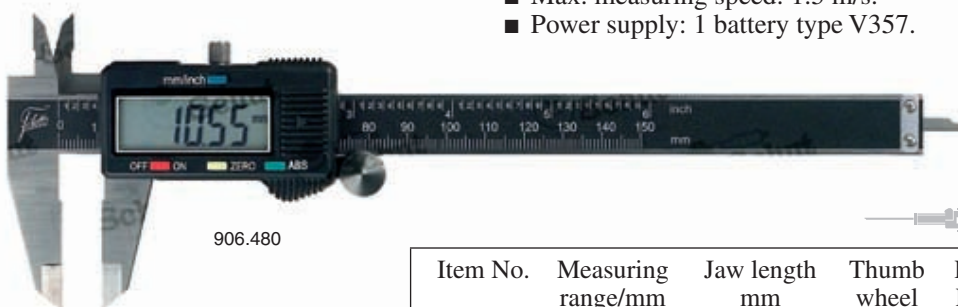
Measuring length <i>l</i> (mm)	Accuracy of calipers according DIN 862		
	Maximum permissible errors (µm) vernier/dial reading		digital
	0.1/0.05 mm	0.02 mm	0.01 mm
50	50	20	20
100			
200		30	30
300			
400	60	30	30
500	70		
600	80		
700	90	40	40
800	100		
900	110		
1000	120		
1200	140	50	-
1400	160		
1600	180	60	-
1800	200		
2000	220		

C02.001-EN-20151102

Absolute digital calipers

Calipers with an absolute measuring system. This gives you the advantage that the caliper stores the one-time setting of the absolute zero position until the battery has to be changed. This reduces the chance of measuring errors and enables you to use the caliper without zero setting.

- Measuring range: 0-300 mm.
- Resolution: 0.01 mm.
- mm/inch conversion.
- ABS/INC switchable.
- Digit height: 11 mm.
- On/off switch.
- Max. measuring speed: 1.5 m/s.
- Power supply: 1 battery type V357.



906.480



Item No.	Measuring range/mm	Jaw length mm	Thumb wheel	Price EUR
906.480	0-150	40	yes	22.10
906.481	0-200	50	yes	31.00
906.482	0-300	60	yes	55.00
Option: 836.535 Spare battery				1.60

Digital calipers with excellent price-performance ratio

- Measuring range: 0-300 mm.
- Resolution: 0.01 mm.
- mm/inch conversion.
- Digit height:
measuring range ≤ 100 mm: 7 mm,
measuring range ≥ 150 mm: 11 mm.
- On/off switch.
- Reset.
- Power supply: 1 battery type V357.

Item No.	Measuring range/mm	Jaw length mm	Thumb wheel	Price EUR
906.483	0- 75	30	no	20.90
906.484	0-100	30	no	20.50
906.300	0-150	40	yes	19.80
906.302	0-200	50	yes	30.30
906.304	0-300	60	yes	54.00
Left-handed model: 906.299 0-150 40 yes 51.00				
Option: 836.535 Spare battery				1.60



906.300

Absolute digital calipers

The advantage of these calipers is the one-time setting of the absolute zero position until the battery has to be changed. This reduces the chance of measuring errors and enables you to use the calipers without zero setting.

- Measuring range: 0-300 mm.
- Resolution: 0.01 mm.
- mm/inch conversion.
- ABS/INC switchable.
- Digit height: 10 mm.
- On/off switch.
- Reset.
- Max. measuring speed: 1.5 m/s.
- DIN 862.
- Delivery with an inspection report.
- Power supply: 1 battery type V357.



907.546

Item No.	Measuring range/mm	Jaw length mm	Price EUR
907.546	0-150	40	32.40
907.547	0-200	50	50.00
907.548	0-300	60	82.00
Option:			
836.535	Spare battery		1.60

Digital calipers

The advantage of these calipers is the one-time setting of the absolute zero position until the battery has to be changed. This reduces the chance of measuring errors and enables you to use the calipers without zero setting.

- Measuring range: 0-300 mm.
- Resolution: 0.01 mm.
- mm/inch conversion.
- Digit height: 10 mm.
- On/reset switch.
- Max. measuring speed: 1.5 m/s.
- DIN 862.
- Delivery with an inspection report.
- Power supply: 1 battery type V357.



907.537

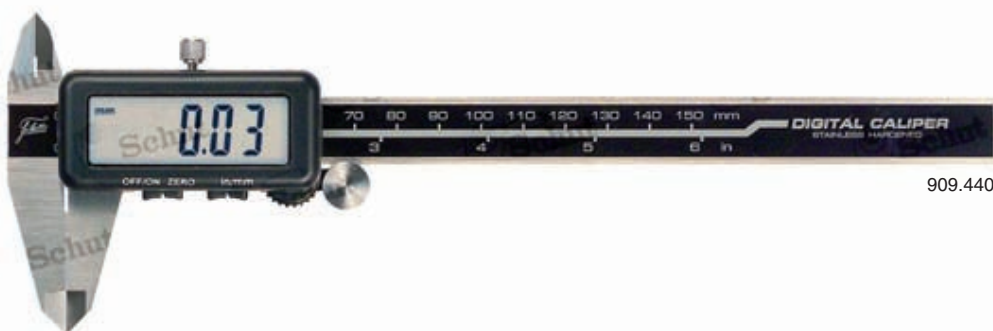
Item No.	Measuring range/mm	Jaw length mm	Price EUR
907.537	0-150	40	30.80
907.538	0-200	50	48.00
907.539	0-300	60	80.00
Option:			
836.535	Spare battery		1.60



Digital calipers with glass ruler

Equipped with a glass ruler. Very easy displacement by non-contact movement.

- Measuring range: 0-300 mm.
- Resolution: 0.01 mm.
- mm/inch conversion.
- ABS/INC switchable (only 909.443/444/445).
- Digit height: 12 mm.
- On/reset switch.
- Automatic switch-off.
- DIN 862.
- Delivery with an inspection report.
- Power supply: 1 battery type CR2025.



909.440



Item No.	Measuring range/mm	Jaw length mm	Price EUR
909.440	0 - 150	40	37.70
909.441	0 - 200	50	55.00
909.442	0 - 300	60	89.00
Absolute calipers:			
909.443	0 - 150	40	38.10
909.444	0 - 200	50	58.00
909.445	0 - 300	60	94.00
Options:			
495.214	Spare battery		0.60
909.446	USB interface		113.00
937.179	Foot switch		43.00



909.440



909.446

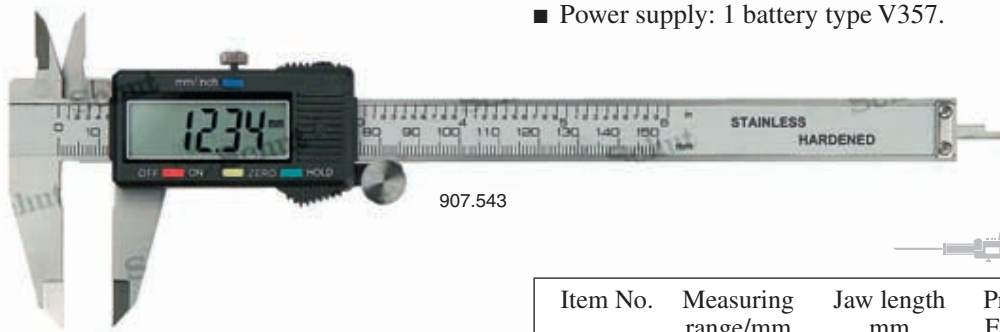
USB interface:

- For data transfer to PC (e.g. Excel, Word).
- Operating system: Windows 2000/XP/Vista/7.
- PC connection: USB data output (cable length 2 m).
- No software or driver to install.
- Foot switch (optional).

Digital calipers with hold function

Digital calipers with a function to hold the display value at any position.

- Measuring range: 0-300 mm.
- Resolution: 0.01 mm.
- mm/inch conversion.
- Digit height: 11 mm.
- On/off switch.
- Reset.
- Hold function.
- Power supply: 1 battery type V357.



907.543

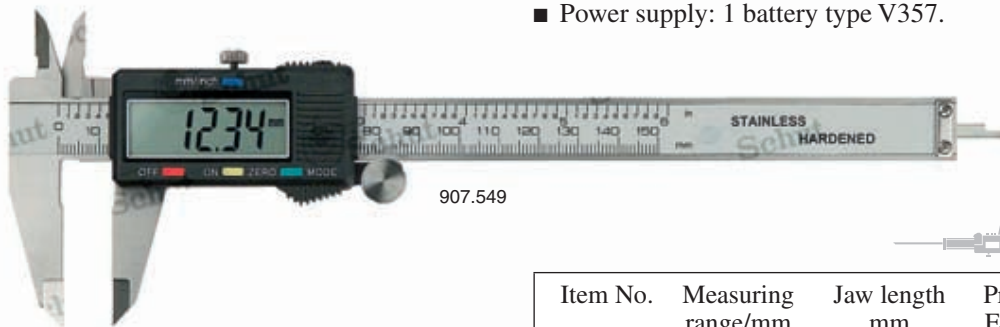
PRICE

Item No.	Measuring range/mm	Jaw length mm	Price EUR
907.543	0-150	40	26.70
907.544	0-200	50	35.70
907.545	0-300	60	64.00
Option:			
836.535	Spare battery		1.60

Digital calipers with min/max function

By keeping the mode button pressed you can hold the minimum and maximum measuring values.

- Measuring range: 0-300 mm.
- Resolution: 0.01 mm.
- mm/inch conversion.
- Digit height: 11 mm.
- On/off switch.
- Reset.
- Min/max function.
- Power supply: 1 battery type V357.



907.549

PRICE

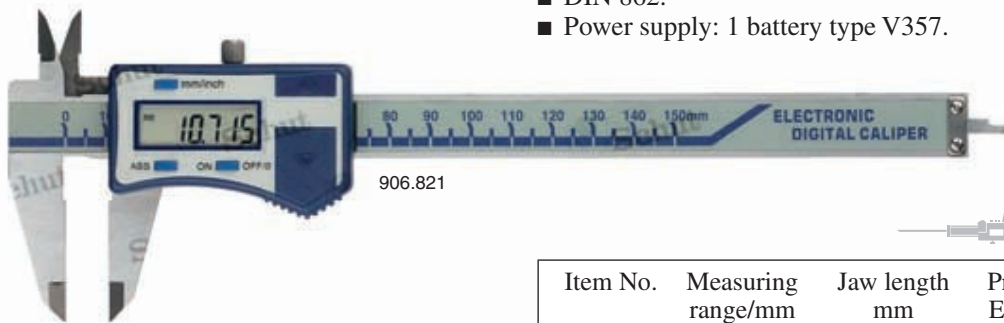
Item No.	Measuring range/mm	Jaw length mm	Price EUR
907.549	0-150	40	29.40
907.550	0-200	50	35.70
907.551	0-300	60	64.00
Option:			
836.535	Spare battery		1.60



Digital calipers 0.005 mm

Calipers with a higher resolution and a measuring range up to 300 mm.

- Measuring range: 0 - 300 mm.
- Resolution: **0.005 mm**.
- mm/inch conversion.
- ABS/INC switchable.
- On/off switch.
- Max. measuring speed: 1.5 m/s.
- Flat depth rod.
- DIN 862.
- Power supply: 1 battery type V357.



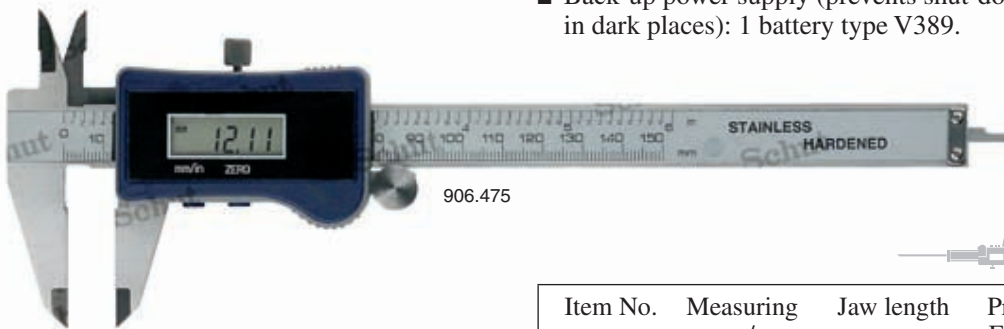
906.821

Item No.	Measuring range/mm	Jaw length mm	Price EUR
906.821	0 - 150	40	48.00
906.822	0 - 200	50	57.00
906.823	0 - 300	60	97.00
Option:			
836.535	Spare battery		1.60

Digital solar calipers

The solar power supply functions already with a low illumination level.

- Measuring range: 0 - 300 mm.
- Resolution: 0.01 mm.
- mm/inch conversion.
- Thumb wheel (except 906.493).
- Flat depth rod.
- Back-up power supply (prevents shut-down in dark places): 1 battery type V389.



906.475

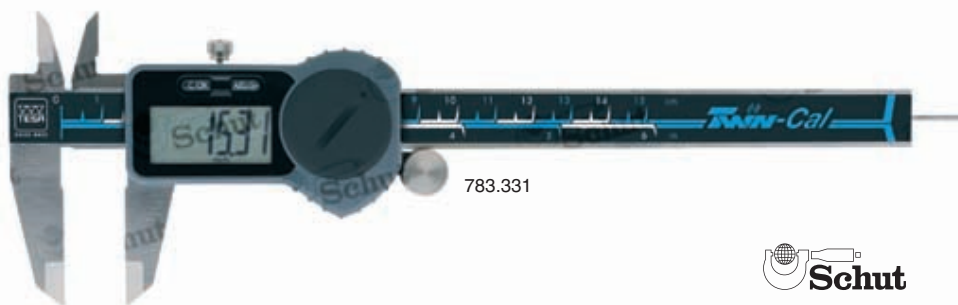
Item No.	Measuring range/mm	Jaw length mm	Price EUR
906.475	0 - 150	40	34.90
906.492	0 - 200	50	57.00
906.493	0 - 300	60	90.00
Option:			
498.823	Spare battery		1.70



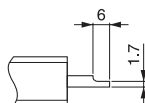
TESA TWIN-Cal digital calipers IP40

New generation IP40 calipers, TESA TWIN-Cal, with a “soft touch” grip and an excellent price-performance ratio. These calipers have a unique connectivity concept TWIN & LINK. All TWIN-Cal calipers are equipped with a data output. Connect the TESA Link Connector (or TWIN-Cap) to the TWIN-Cal for “plug and play” (wireless) data transfer.

- Measuring range: 0-300 mm.
- Resolution: 0.01 mm.
- mm/inch conversion.
- Digit height: 11 mm.
- Automatic switch-off.
- Reset.
- Max. measuring speed: approx. 2.5 m/s.
- Thumb wheel (except 783.334); also optionally available.
- Locking screw.
- Round ($\varnothing 1.5$ mm) or flat depth rod.
- Protection: IP40.
- DIN 862.
- Standard supplied with data output (USB, Digimatic or wireless).
- Delivery in a case with an inspection report and a declaration of conformity.
- Power supply: 1 battery type CR2032.



783.331



Dimensions
flat depth rod



TESA Link Connector USB



TESA Link Connector Digimatic



TESA Link Connector TWIN-Cap



TWIN Station

Item No.	Measuring range/mm	Jaw length mm	Depth rod	Price EUR
783.334	0-150	40	flat	122.00
783.331	0-150	40	round	122.00
783.332	0-200	50	flat	153.00
783.333	0-300	64	flat	236.00
Options:				
495.157	Spare battery			0.50
779.362 ¹	Depth measuring base 75 x 6 mm			33.00
783.301 ²	TESA Link Connector USB			118.00
783.302 ²	TESA Link Connector Digimatic			154.00
783.303 ²	TESA Link Connector TWIN-Cap			159.00

¹ Only suitable for the calipers with measuring range 0-150 mm.

² The TESA Link Connector will replace the battery cover.

Absolute digital calipers IP54

Calipers with an absolute measuring system. This gives you the advantage that the caliper stores the one-time setting of the absolute zero position until the battery has to be changed. This reduces the chance of measuring errors and enables you to use the caliper without zero setting.

- Measuring range: 0-300 mm.
- Resolution: 0.01 mm.
- mm/inch conversion.
- ABS/INC switchable.
- Digimatic data output.
- On/off switch.
- Reset.
- Max. measuring speed: any.
- Protection: IP54.
- Delivery in a case.
- Power supply: 1 battery type CR2032.



909.602

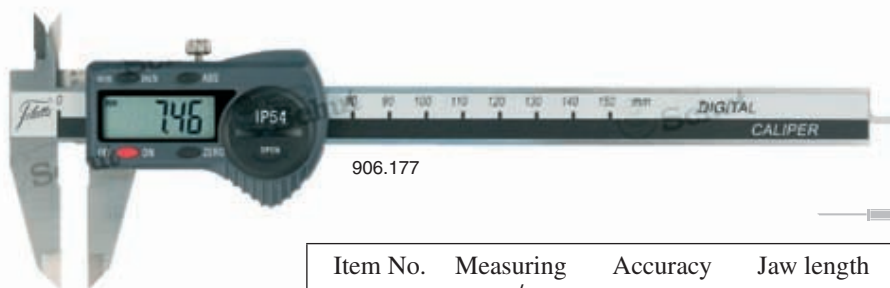
PRICE

Item No.	Measuring range/mm	Accuracy mm	Jaw length mm	Price EUR
909.602	0 - 150	0.02	40	49.00
909.603	0 - 200	0.02	50	66.00
909.604	0 - 300	0.03	60	83.00
Options:				
495.157	Spare battery			0.50
909.686	USB cable			96.00
909.687	Footswitch			16.30

NEW

Digital calipers IP54

- Measuring range: 0-300 mm.
- Resolution: 0.01 mm.
- mm/inch conversion.
- On/off switch.
- Reset.
- Protection: IP54.
- Power supply: 1 battery type CR2032.



906.177

PRICE

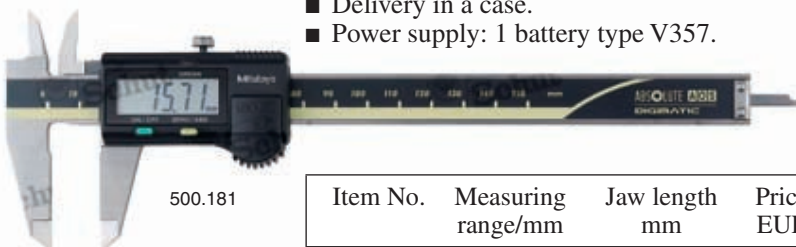
Item No.	Measuring range/mm	Accuracy mm	Jaw length mm	Price EUR
906.177	0 - 150	0.03	40	36.40
906.178	0 - 200	0.03	50	51.00
906.179	0 - 300	0.04	60	75.00
Option:				
495.157	Spare battery			0.50

NEW

Mitutoyo Absolute Digimatic calipers

Mitutoyo digital calipers equipped with AOS inductive encoder. The measuring signal is not affected by dirt (water, oil, etc.) on the ruler surface due to the electromagnetic inductive ABS encoder. The one-time setting of origin remains as the absolute zero position until the battery has to be changed.

- Measuring range: 0 - 300 mm.
- Resolution: 0.01 mm.
- ABS/INC switchable.
- With or without Digimatic data output.
- Reset.
- Max. measuring speed: any.
- Flat depth rod (except 500.158, 500.184 and 500.203: round depth rod \varnothing 1.9 mm).
- Protection: IP40.
- DIN 862.



- Delivery in a case.
- Power supply: 1 battery type V357.

NEW

Item No.	Measuring range/mm	Jaw length mm	Price EUR
Without Digimatic data output:			
500.181	0 - 150	40	109.00
500.184 ¹	0 - 150	40	109.00
500.182	0 - 200	50	170.00
With Digimatic data output:			
500.161	0 - 150	40	139.00
500.203 ¹	0 - 150	40	140.00
500.158 ^{1,2}	0 - 150	40	156.00
500.162	0 - 200	50	198.00
500.152 ²	0 - 200	50	222.00
500.205	0 - 300	64	359.00
500.153 ²	0 - 300	64	394.00

Options

Item No.	Description	Price EUR
836.535	Spare battery	1.60
959.149 ³	Digimatic signal cable 1 m	39.00
959.150 ³	Digimatic signal cable 2 m	45.00
106.382 ³	USB Input Tool Direct cable 2 m	102.00
102.793 ³	U-WAVE data cable	92.00

¹ With round depth rod \varnothing 1.9 mm.

² With thumb wheel.

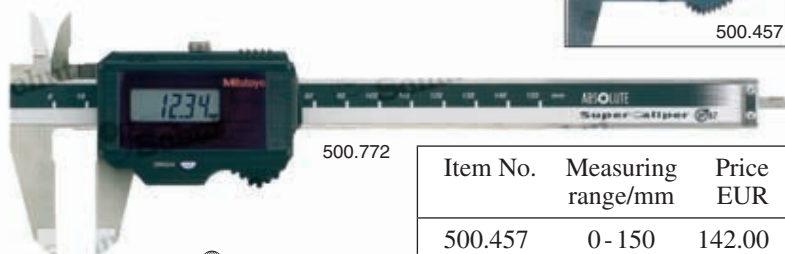
³ With data switch.

Mitutoyo Absolute Digimatic Solar calipers

Because of the Solar power supply you never have to replace a battery, and it functions already with a low illumination level. The built-in battery enables working with insufficient light.

- Measuring range: 0 - 150 mm.
- Resolution: 0.01 mm.
- Digimatic data output (only 500.778).
- Reset.
- Max. measuring speed: any.
- Jaw length: 40 mm.
- Flat depth rod (except 500.792: round depth rod \varnothing 1.9 mm).
- Illumination: minimal 60 lux.
- Protection: IP67 (except 500.457: IP40).
- DIN 862.
- Delivery in a case.

- Also available with thumb wheel and measuring range 200 mm.

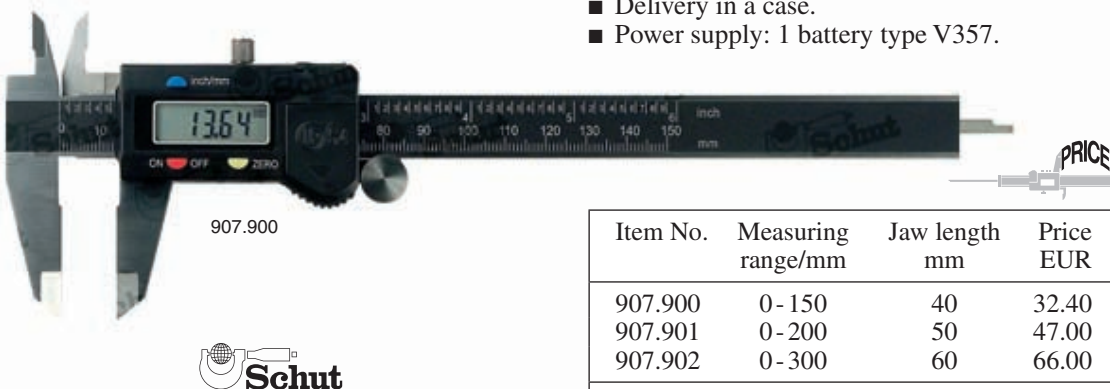


Item No.	Measuring range/mm	Price EUR
500.457	0 - 150	142.00
500.772	0 - 150	189.00
500.792	0 - 150	189.00
500.778	0 - 150	247.00

Digital calipers IP54

These calipers have a protection degree of IP54 and are therefore protected against splash water and resistant to oil and dust. Zero setting at any position. Equipped with thumb wheel and locking screw.

- Measuring range: 0- 300 mm.
- Resolution: 0.01 mm.
- mm/inch conversion.
- On/off switch.
- Reset.
- Max. measuring speed: 1.5 m/s.
- Thumb wheel and locking screw.
- Flat depth rod.
- Protection: IP54.
- Resistant to workshop conditions.
- Delivery in a case.
- Power supply: 1 battery type V357.



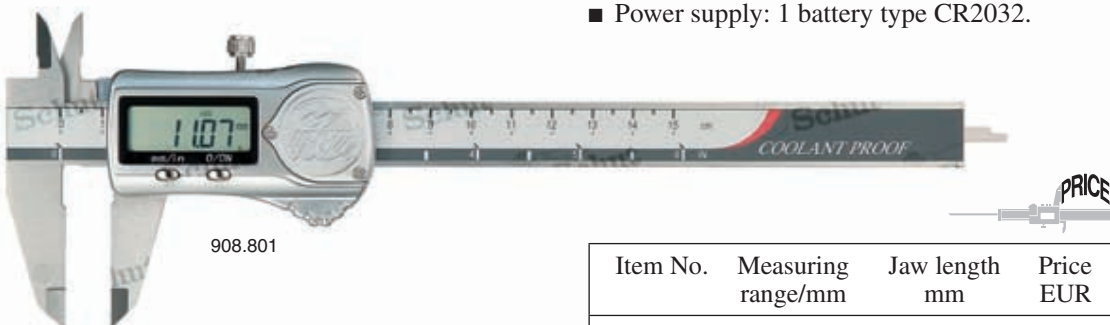
907.900

Item No.	Measuring range/mm	Jaw length mm	Price EUR
907.900	0-150	40	32.40
907.901	0-200	50	47.00
907.902	0-300	60	66.00
Option:			
836.535	Spare battery		1.60

Digital calipers IP67

These IP67 protected calipers are especially suitable for use in production environments: they are fully protected against dust intrusion and even last temporary immersion.

- Measuring range: 0- 300 mm.
- Resolution: 0.01 mm.
- mm/inch conversion.
- Automatic switch-off.
- Reset.
- Locking screw.
- Flat depth rod.
- Protection: IP67.
- Power supply: 1 battery type CR2032.



908.801

Item No.	Measuring range/mm	Jaw length mm	Price EUR
908.801	0-150	40	81.00
908.802	0-200	50	105.00
908.803	0-300	60	132.00
Option:			
495.157	Spare battery		0.50

Digital calipers IP67

These IP67 protected calipers are especially suitable for use in production environments: they are fully protected against dust intrusion and even lasts temporary immersion.

- Measuring range: 0- 300 mm.
- Resolution: 0.01 mm.
- mm/inch conversion.
- Large, easy to read LCD display.
- On/reset switch.
- Automatic switch-off.
- Thumb wheel and locking screw.
- Stable flat depth rod.
- Protected rack.
- Protection: IP67.
- DIN 862.
- Delivery with an inspection report.
- Power supply: 1 battery type V357.



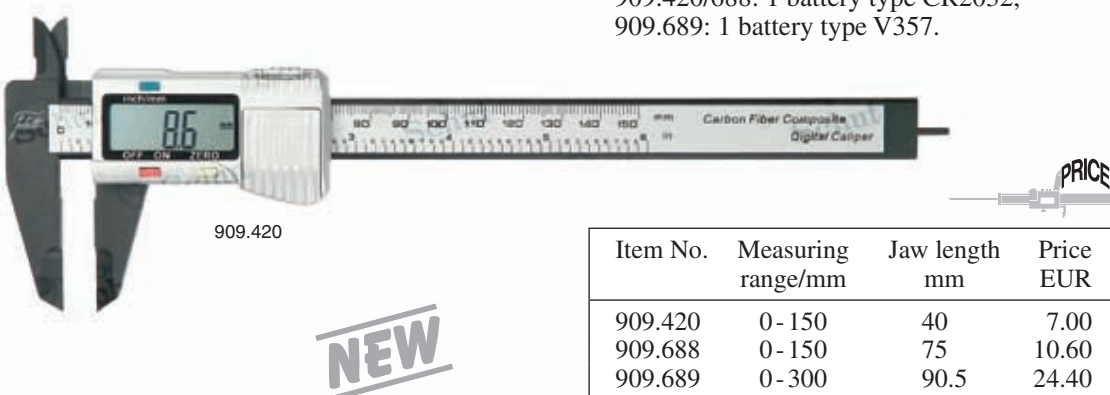
907.500

Item No.	Measuring range/mm	Jaw length mm	Price EUR
907.500	0- 150	40	79.00
907.501	0- 200	50	125.00
907.502	0- 300	60	169.00
Option:			
836.535	Spare battery		1.60

Digital carbon fiber calipers

Digital calipers made of carbon fiber.

- Measuring range: 0- 300 mm.
- Resolution: 0.1 mm.
- mm/inch conversion.
- On/off switch.
- Automatic switch-off.
- Reset.
- Flat depth rod.
- Power supply:
909.420/688: 1 battery type CR2032,
909.689: 1 battery type V357.



909.420

Item No.	Measuring range/mm	Jaw length mm	Price EUR
909.420	0- 150	40	7.00
909.688	0- 150	75	10.60
909.689	0- 300	90.5	24.40
Options:			
495.157	Spare battery type CR2032		0.50
836.535	Spare battery type V357		1.60

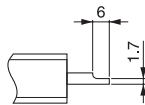
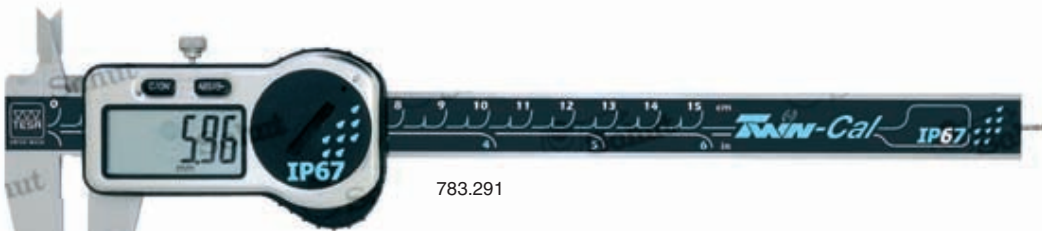
TESA TWIN-Cal absolute digital calipers IP67

New generation IP67 calipers, TESA TWIN-Cal, with an absolute measuring system and a “soft touch” grip. These calipers have a unique connectivity concept TWIN & LINK. All TWIN-Cal calipers are equipped with a data output. Connect the TESA Link Connector (or TWIN-Cap) to the TWIN-Cal for “plug and play” (wireless) data transfer.

- Measuring range: 0- 300 mm.
- Resolution: 0.01 mm.
- Repeatability: 0.01 mm.
- mm/inch conversion.
- Digit height: 11 mm.
- Automatic switch-off.
- Reset.
- Max. measuring speed: approx. 2.5 m/s.
- Thumb wheel (except 783.290/291); also optionally available.



- Locking screw.
- Round ($\varnothing 1.5$ mm) or flat depth rod.
- Protection: IP67 (also in combination with data output cable).
- DIN 862.
- Standard supplied with data output (USB, Digimatic or wireless).
- Delivery in a case with an inspection report and a declaration of conformity.
- Power supply: 1 battery type CR2032.



Dimensions
flat depth rod

Item No.	Measuring range/mm	Jaw length mm	Depth rod	Price EUR
783.290	0-150	40	flat	159.00
783.291	0-150	40	round	159.00
783.292	0-150	40	round	159.00
783.293	0-200	50	flat	222.00
783.294	0-300	64	flat	305.00
Options:				
495.157	Spare battery			0.50
779.362 ¹	Depth measuring base 75 x 6 mm			33.00
783.300 ¹	Thumb wheel			9.00
783.301 ²	TESA Link Connector USB			118.00
783.302 ²	TESA Link Connector Digimatic			154.00
783.303 ²	TESA Link Connector TWIN-Cap			159.00

¹ Only suitable for the calipers with measuring range 0- 150 mm.

² The TESA Link Connector will replace the battery cover.



TESA Link Connector USB



TESA Link Connector Digimatic



TESA Link Connector TWIN-Cap

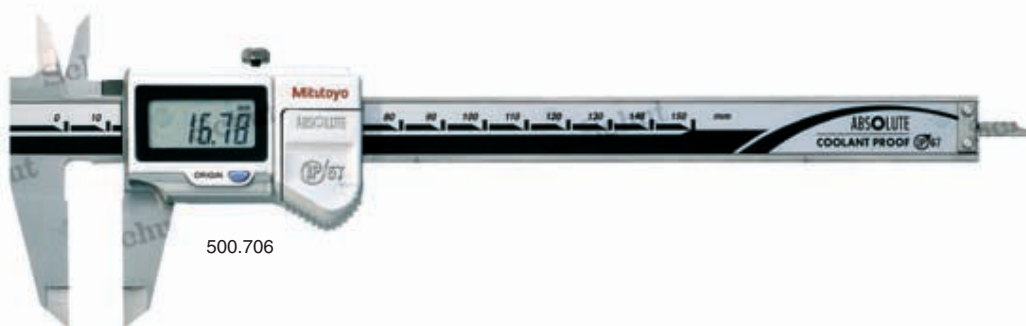


TWIN Station

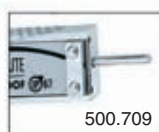
Mitutoyo Absolute Digimatic Coolant Proof calipers IP67

Series digital calipers with the unique Absolute measuring system to prevent inaccuracy because of an incorrect zero position. These IP67 protected calipers are especially suitable for use in production environments; they even last temporary immersion. The one-time setting of origin remains as the absolute zero position until the battery has to be changed.

- Measuring range: 0 - 300 mm.
- Resolution: 0.01 mm.
- With or without Digimatic data output.
- Automatic switch-off.
- Reset.
- Max. measuring speed: any.
- Locking screw.
- Flat depth rod (except 500.709: round depth rod \varnothing 1.9 mm).
- Protection: IP67.
- DIN 862.
- Delivery in a case with an inspection report and a declaration of conformity.
- Power supply: 1 battery type V357.
- Also available with thumb wheel.



500.706



500.709



Item No.	Measuring range/mm	Jaw length mm	Price EUR
Without Digimatic data output:			
500.706	0 - 150	40	160.00
500.709 ¹	0 - 150	40	160.00
500.707	0 - 200	50	225.00
500.708	0 - 300	64	310.00
With Digimatic data output:			
500.716	0 - 150	40	205.00
500.727 ²	0 - 150	40	405.00
500.717	0 - 200	50	260.00
500.728 ²	0 - 200	50	462.00
500.718	0 - 300	64	377.00

Options

Item No.	Description	Price EUR
836.535	Spare battery	1.60
105.624 ³	Digimatic signal cable, 1 m	72.00
105.625 ³	Digimatic signal cable, 2 m	82.00
106.381 ³	USB Input Tool Direct cable 2 m	117.00
102.792 ³	U-WAVE data cable	97.00

¹ With round depth rod \varnothing 1.9 mm.

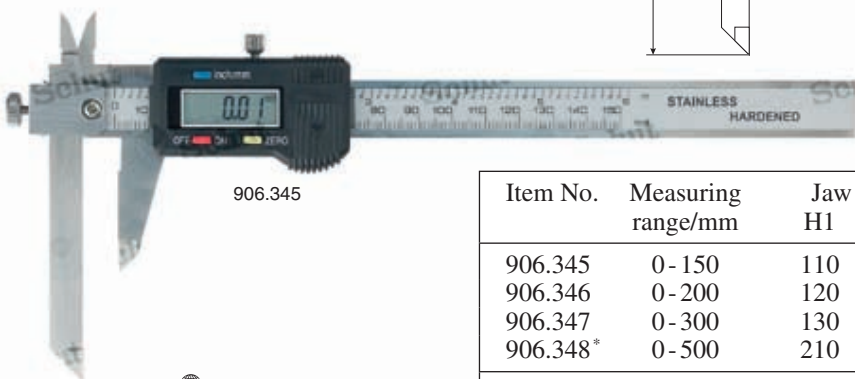
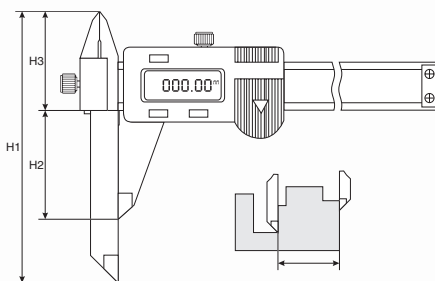
² Provided with tungsten carbide measuring faces.

³ With data switch.

Digital calipers with slidable measuring jaw

For measuring distances between planes at different levels. Very suitable as scribing tool!

- Measuring range: 0-500 mm.
- Resolution: 0.01 mm.
- mm/inch conversion.
- On/off switch.
- Reset.
- Power supply: 1 battery type V357.



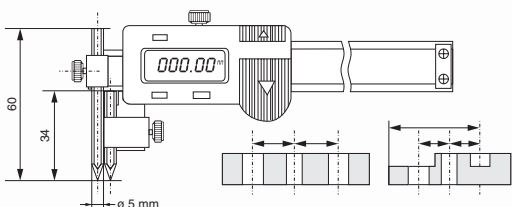
Item No.	Measuring range/mm	Jaw length/mm			Price EUR
		H1	H2	H3	
906.345	0-150	110	40	37	76.00
906.346	0-200	120	50	40	108.00
906.347	0-300	130	60	42	148.00
906.348*	0-500	210	100	69	189.00
Option: 836.535 Spare battery					1.60

* Model with absolute digital display.

Digital calipers for measuring center distances

Suited for measuring center distances between bores from $\varnothing 1$ up to 4.5 mm. Because both measuring jaws are adjustable in height it is possible to measure center distances between bores that are positioned at different levels.

- Measuring range: 5-300 mm.
- Resolution: 0.01 mm.
- mm/inch conversion.
- On/off switch.
- Reset.
- Power supply: 1 battery type V357.

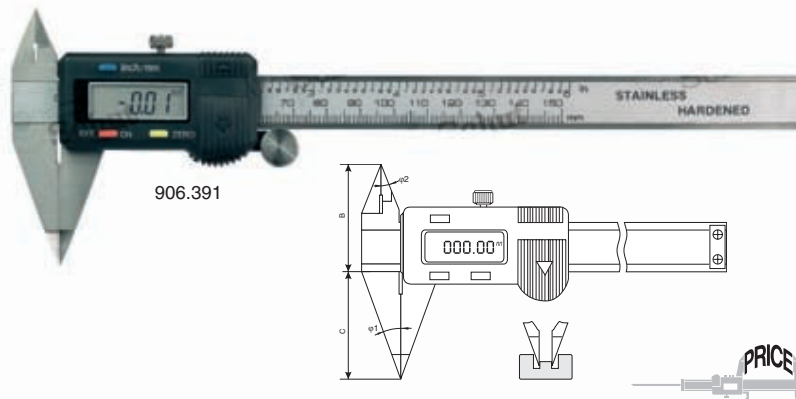


Item No.	Measuring range/mm	Price EUR
906.395	5-150	92.00
906.396	5-200	106.00
906.397	5-300	143.00
Option: 836.535 Spare battery		1.60

Digital calipers with pointed measuring jaws

The pointed measuring jaws of these calipers enable you to measure distances in places that are hard to reach.

- Measuring range: 0 - 300 mm.
- Resolution: 0.01 mm.
- mm/inch conversion.
- On/off switch.
- Reset.
- Power supply: 1 battery type V357.



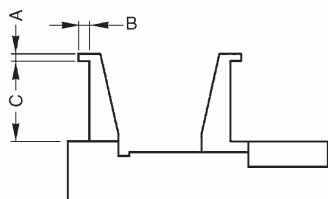
Item No.	Measuring range/mm	Jaw length C/mm	Length B/mm	Angle φ1	Angle φ2	Price EUR
906.391	0 - 150	40	37	20°	20°	45.00
906.392	0 - 200	50	40	20°	22.5°	65.00
906.393	0 - 300	60	42	20°	22.5°	100.00
Option:						
836.535	Spare battery					1.60



Digital calipers with outside angled measuring jaws

These calipers have short, stable, V-shaped measuring jaws with a flat front. Specially designed for measuring bore and internal groove diameters.

- Measuring range: 8 - 200 mm.
- Resolution: 0.01 mm.
- mm/inch conversion.
- On/off switch.
- Preset at 10 mm (delivery incl. setting ring).
- Preset through SET, + and - switches.
- Thickness measuring face: 0.5 mm.
- Power supply: 1 battery type V357.

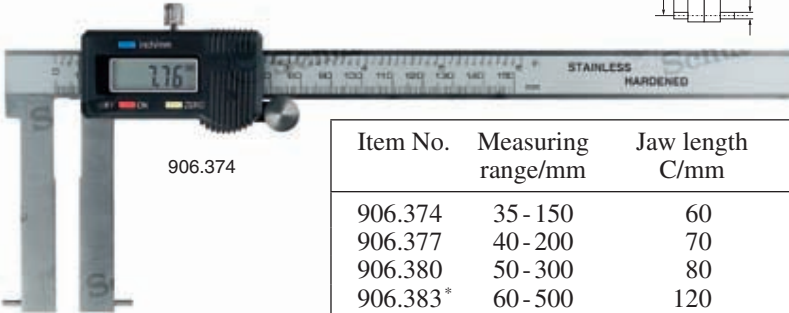
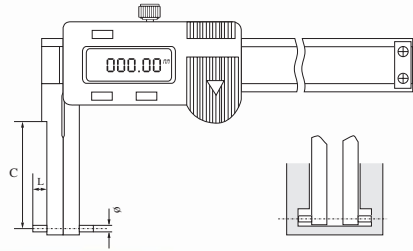


Item No.	Measuring range/mm	Length/mm			Price EUR
		A	B	C	
907.556	8 - 150	1.5	3.5	27.5	81.00
907.557	8 - 200	1.5	3.5	27.5	105.00
Option:					
836.535	Spare battery				1.60

Digital calipers with outside angled measuring pins

These calipers are equipped with outside angled rounded pins.

- Measuring range: 35 - 500 mm.
- Resolution: 0.01 mm.
- mm/inch conversion.
- On/off switch.
- Reset.
- Power supply: 1 battery type V357.



906.374

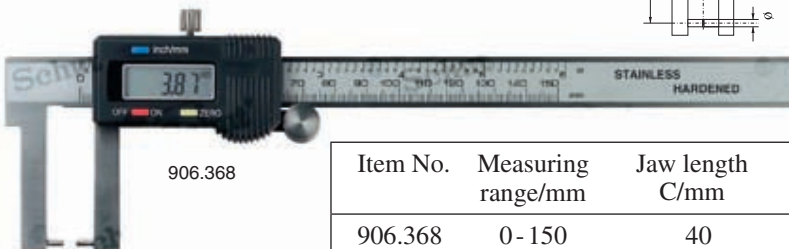
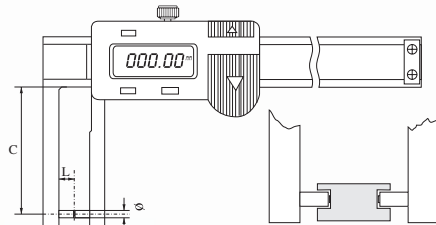
Item No.	Measuring range/mm	Jaw length C/mm	Pin ϕ /mm	Pin length L/mm	Price EUR
906.374	35 - 150	60	2	6	95.00
906.377	40 - 200	70	3	7	123.00
906.380	50 - 300	80	3	10	146.00
906.383*	60 - 500	120	2.5	10	237.00
Option: 836.535 Spare battery					1.60

* Model with absolute digital display and without thumb wheel.

Digital calipers with inside angled measuring pins

These calipers are equipped with inside angled rounded pins.

- Measuring range: 0 - 500 mm.
- Resolution: 0.01 mm.
- mm/inch conversion.
- On/reset switch.
- Power supply: 1 battery type V357.



906.368

Item No.	Measuring range/mm	Jaw length C/mm	Pin ϕ /mm	Pin length L/mm	Price EUR
906.368	0 - 150	40	2	5	61.00
906.369	0 - 200	50	2.5	8	70.00
906.370	0 - 300	60	2.5	10	108.00
906.371*	0 - 500	100	3	12	149.00
Option: 836.535 Spare battery					1.60

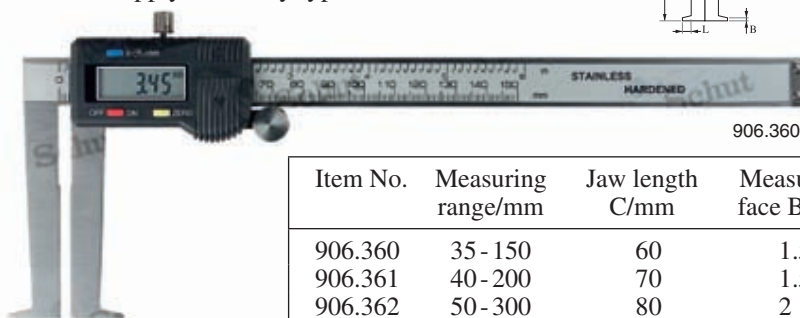
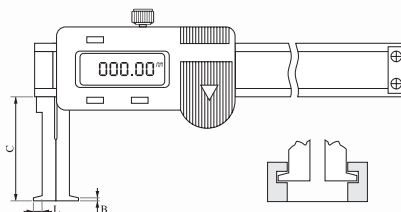
* Model with absolute digital display and without thumb wheel.



Digital calipers with outside angled measuring jaws

These calipers are equipped with outside angled V-shaped measuring jaws.

- Measuring range: 35 - 500 mm.
- Resolution: 0.01 mm.
- mm/inch conversion.
- On/off switch.
- Reset.
- Power supply: 1 battery type V357.



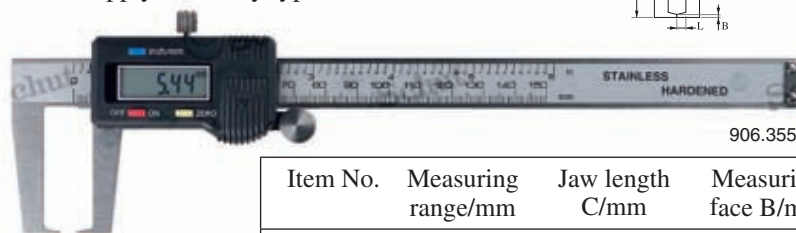
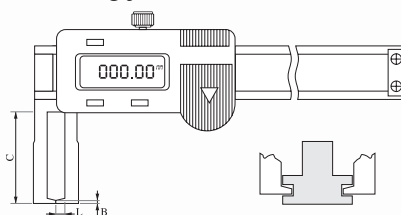
Item No.	Measuring range/mm	Jaw length C/mm	Measuring face B/mm	Jaw length L/mm	Price EUR
906.360	35 - 150	60	1.5	6	76.00
906.361	40 - 200	70	1.5	7	88.00
906.362	50 - 300	80	2	8	131.00
906.363*	60 - 500	120	2.5	10	207.00
Option: 836.535 Spare battery					1.60

* Model with absolute digital display and without thumb wheel.

Digital calipers with inside angled measuring jaws

These calipers are equipped with inside angled V-shaped measuring jaws.

- Measuring range: 0 - 500 mm.
- Resolution: 0.01 mm.
- mm/inch conversion.
- On/off switch.
- Reset.
- Power supply: 1 battery type V357.



Item No.	Measuring range/mm	Jaw length C/mm	Measuring face B/mm	Jaw length L/mm	Price EUR
906.355	0 - 150	40	1	5	60.00
906.356	0 - 200	50	1	7	73.00
906.357	0 - 300	60	1.5	8	105.00
906.358*	0 - 500	100	2	12	163.00
Option: 836.535 Spare battery					1.60

* Model with absolute digital display and without thumb wheel.



Digital calipers for internal length measurement

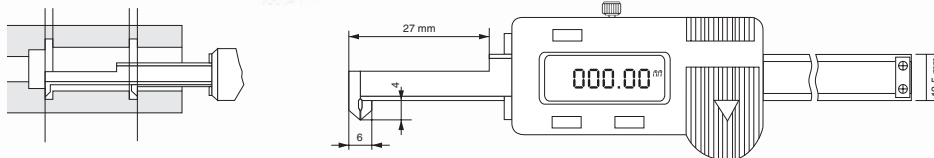
Calipers with outside angled, pointed measuring jaws for the measurement of for example internal grooves.

- Measuring range: 0-200 mm.
- Resolution: 0.01 mm.
- mm/inch conversion.
- On/reset switch.
- Power supply: 1 battery type V357.

Item No.	Measuring range/mm	Price EUR
906.386	0-140	76.00
906.387	0-200	90.00
Option:		
836.535	Spare battery	1.60



906.386



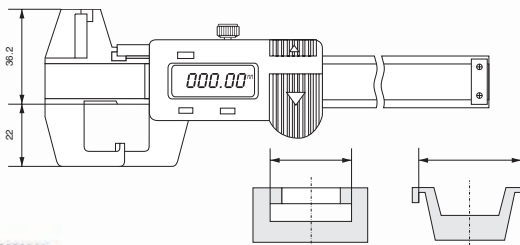
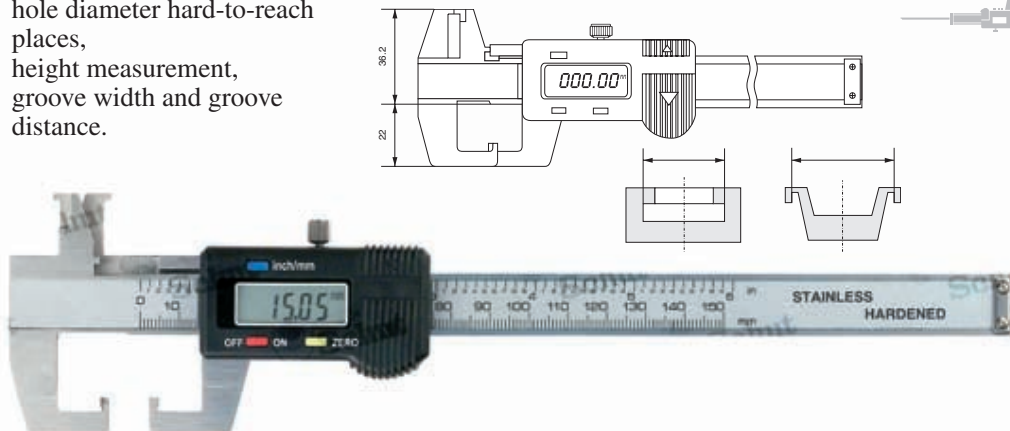
Digital caliper for groove measurements

- Measuring range: 0-125 mm.
- Resolution: 0.01 mm.
- mm/inch conversion.
- On/off switch.
- Reset.
- Also suitable for:
 - internal diameter attached collar,
 - internal diameter U-shaped flange on axis,
 - center distances blind holes under-surface flange on axis,
 - hole diameter hard-to-reach places,
 - height measurement,
 - groove width and groove distance.



- Equipped with small measuring jaws on top of the caliper.
- Power supply: 1 battery type V357.

Item No.	Measuring range/mm	Price EUR
906.365	0-125	98.00
Option:		
836.535	Spare battery	1.60

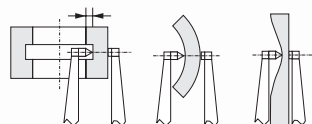
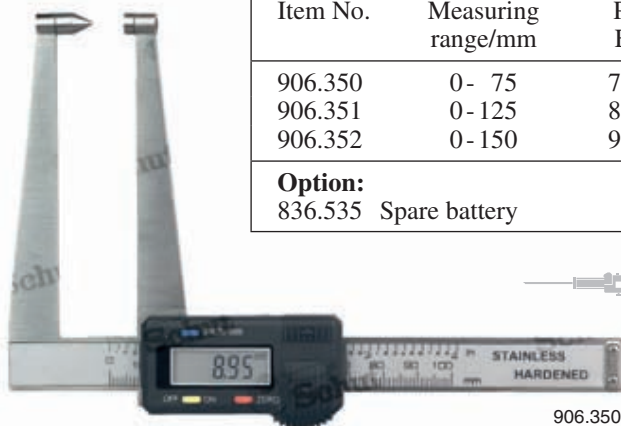
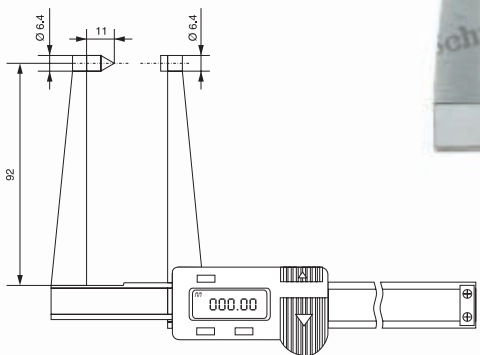


Digital calipers with pointed anvil

Because of the pointed anvil and the long measuring jaws you can measure with these calipers all sorts of wall thicknesses in places that are hard to reach and of for example round surfaces.

- Measuring range: 0- 150 mm.
- Resolution: 0.01 mm.
- mm/inch conversion.
- On/off switch.
- Reset.
- Power supply: 1 battery type V357.

Item No.	Measuring range/mm	Price EUR
906.350	0- 75	78.00
906.351	0- 125	87.00
906.352	0- 150	96.00
Option:		
836.535	Spare battery	1.60

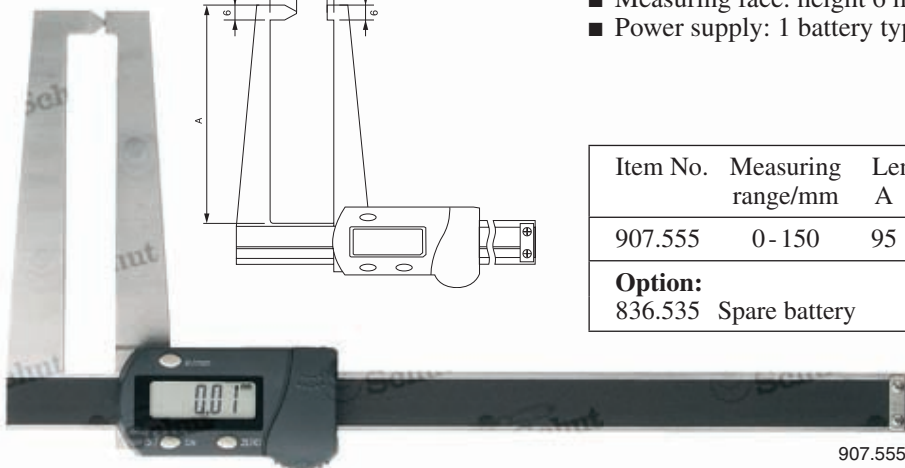
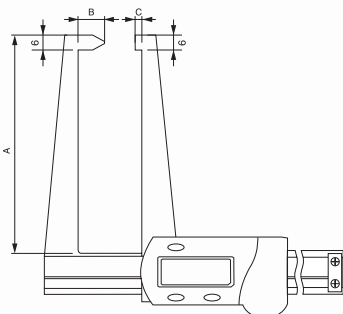


906.350

Digital caliper with square, pointed anvil

Because of the pointed anvil and the long measuring jaws you can measure with this caliper all sorts of wall thicknesses in places that are hard to reach and of for example round surfaces.

- Measuring range: 0- 150 mm.
- Resolution: 0.01 mm.
- mm/inch conversion.
- Digit height: 10 mm.
- On/off switch.
- Reset.
- Anvil: height 1 mm, width 0.5 mm.
- Measuring face: height 6 mm, width 3 mm.
- Power supply: 1 battery type V357.



907.555

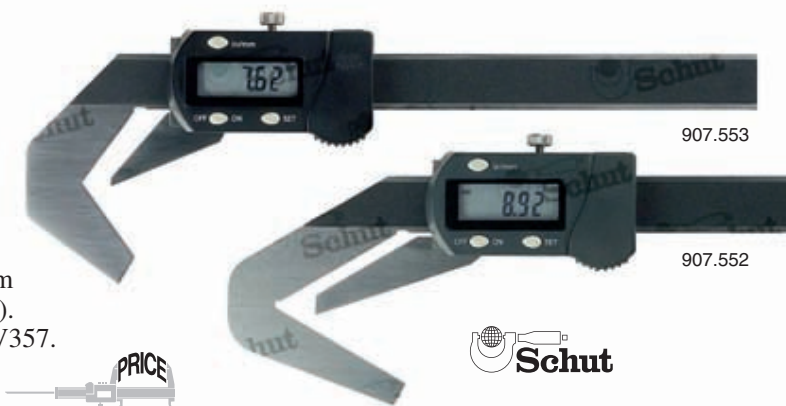
Item No.	Measuring range/mm	Length/mm			Price EUR
		A	B	C	
907.555	0- 150	95	10	3	65.00
Option:					
836.535	Spare battery				1.60



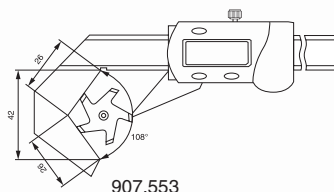
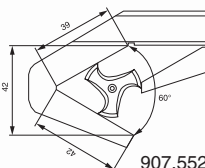
Digital calipers with prismatic anvil

Digital calipers with prismatic anvil for measuring objects with an uneven number of grooves like cutters, reamers and drills. The angle of the prism aperture is designed for workpieces having a number of 3 or 5 flutes.

- Measuring range: 1 - 40 mm.
- Resolution: 0.01 mm.
- Accuracy: ± 0.05 mm.
- mm/inch conversion.
- On/off switch.
- Reset through SET switch.
- Max. measuring speed: 1.5 m/s.
- Including setting gauge $\varnothing 4$ mm (907.552) or $\varnothing 1$ mm (907.553).
- Power supply: 1 battery type V357.
- Also analog models available.

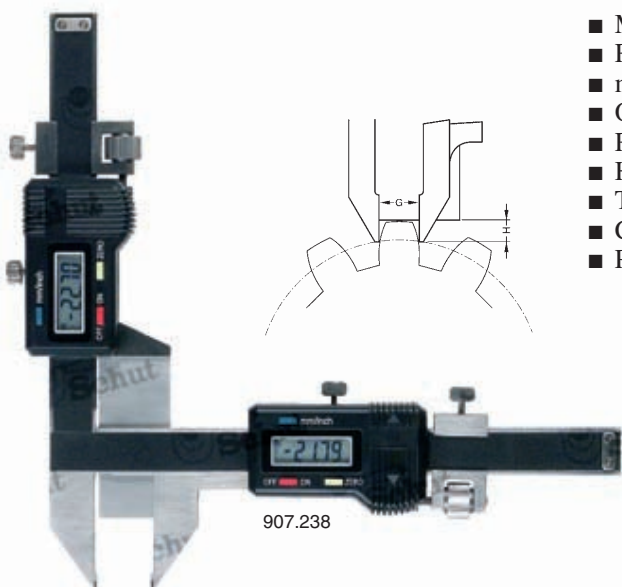


Item No.	For work-pieces with	Measuring range/mm	Price EUR
907.552	3 flutes	4 - 40	99.00
907.553	5 flutes	1 - 40	99.00
Option:			
836.535	Spare battery		1.60



Digital gear tooth thickness calipers

The vertical slider sets the height (H) from the top of the tooth to the pitch line. Subsequently, the horizontal slider measures the tooth thickness (G) at the pitch line.



- Measuring range: module 1 - 50.
- Resolution: 0.01 mm.
- mm/inch conversion.
- On/off switch.
- Reset.
- Hardened stainless steel construction.
- Tungsten carbide measuring faces.
- Conforms to factory standard.
- Power supply: 2 batteries type V357.



Item No.	Module	Price EUR
907.238	1 - 30	123.00
907.239	5 - 50	154.00
Option:		
836.535	Spare battery (2 needed)	1.60

Digital calipers for internal measurements

Calipers with long measuring jaws for internal measurements.

- Measuring range: 15 - 300 mm.
- Resolution: 0.01 mm.
- mm/inch conversion.
- ABS/INC switchable.
- On/off switch.
- Preset (only 906.825/827/829).
- Reset.
- Memory for measuring values when the display is switched off.
- Fine adjustment.
- Delivery with an inspection report.
- Power supply: 1 battery type V357.

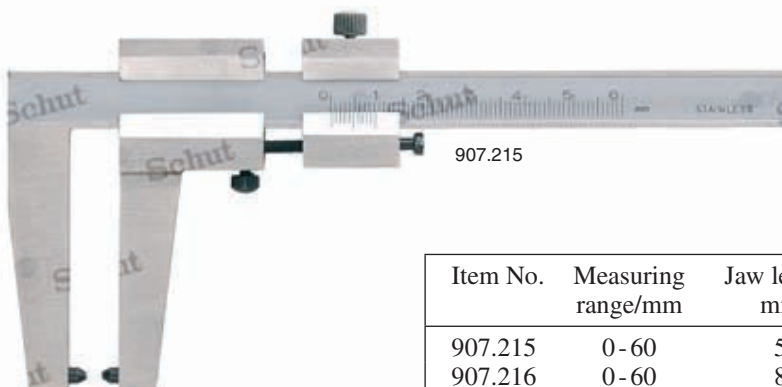


Item No.	Measuring range/mm	Jaw length mm	Price EUR
906.824	15 - 150	60	63.00
906.825	25 - 150	150	108.00
906.826	18 - 200	75	65.00
906.827	25 - 200	150	110.00
906.828	20 - 300	90	108.00
906.829	25 - 300	150	127.00
Option:			
836.535	Spare battery		1.60

Brake disc calipers

Brake disc calipers especially for measuring the groove depth of brake discs.

- Measuring range: 0 - 90 mm.
- Vernier: 0.1 mm.
- Locking screw.
- Stainless steel construction.



Item No.	Measuring range/mm	Jaw length mm	Price EUR
907.215	0 - 60	55	23.10
907.216	0 - 60	80	41.00
907.217	0 - 90	120	78.00

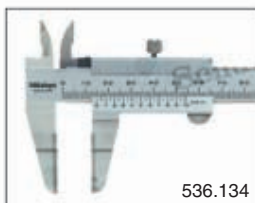
Mitutoyo special-purpose calipers

Mitutoyo special-purpose analog (vernier) and digital (Absolute Digimatic *Coolant Proof* IP67) calipers. For more information please contact our sales department.



Item No.	Measuring range/mm	Read-out* mm	Price EUR
With thinner tungsten carbide measuring jaws (thickness 0.75 mm):			
536.134	0 - 150	0.05 ^(V)	352.00
536.135	0 - 200	0.05 ^(V)	381.00
573.635	0 - 150	0.01 ^(D)	597.00
With pointed measuring jaws:			
536.121	0 - 150	0.05 ^(V)	184.00
573.622	0 - 150	0.01 ^(D)	412.00
With thin pointed measuring jaws:			
573.626	0 - 150	0.01 ^(D)	464.00
For scribing, with tungsten carbide measuring jaws:			
536.221	0 - 150	0.05 ^(V)	136.00
536.222	0 - 200	0.05 ^(V)	164.00
536.223	0 - 300	0.05 ^(V)	349.00
573.676	0 - 150	0.01 ^(D)	304.00
573.677	0 - 200	0.01 ^(D)	397.00
573.679	0 - 300	0.01 ^(D)	896.00
With slidable measuring jaw:			
536.101	0 - 150	0.05 ^(V)	256.00
536.102	0 - 200	0.05 ^(V)	311.00
536.103	0 - 300	0.05 ^(V)	416.00
573.611	0 - 150	0.01 ^(D)	525.00
573.612	0 - 200	0.01 ^(D)	587.00
573.614	0 - 300	0.01 ^(D)	742.00
For center distances:			
536.105	10 - 150	0.05 ^(V)	345.00
536.106	10 - 200	0.05 ^(V)	402.00
536.107	10 - 300	0.05 ^(V)	486.00
573.615	10 - 160	0.01 ^(D)	494.00
573.616	10 - 210	0.01 ^(D)	556.00
573.618	10 - 310	0.01 ^(D)	742.00

* V = vernier read-out, D = digital read-out.



536.134



573.635



536.121



573.622



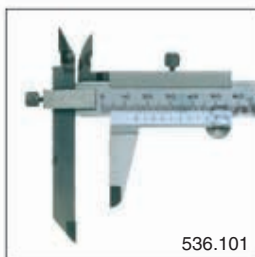
573.626



536.221



573.676



536.101



573.611

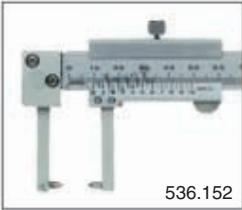


536.106



573.615

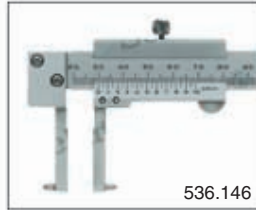
Mitutoyo special-purpose calipers (continued)



536.152



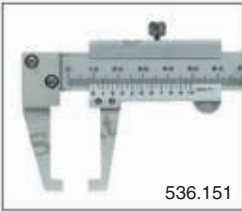
573.654



536.146



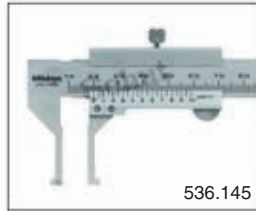
573.648



536.151



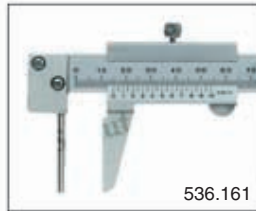
573.653



536.145



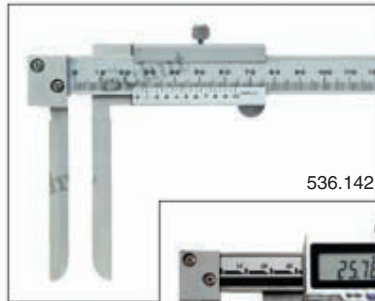
573.647



536.161



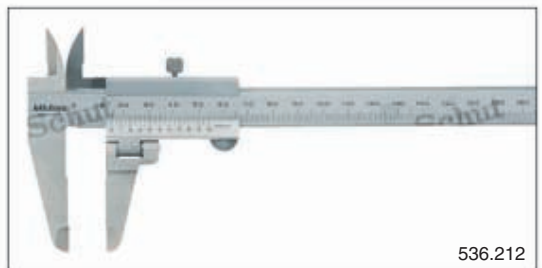
573.662



536.142



573.643



536.212

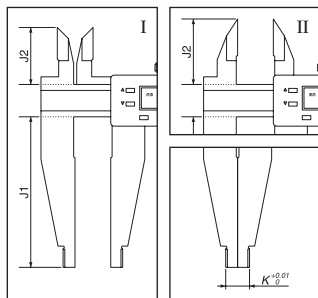
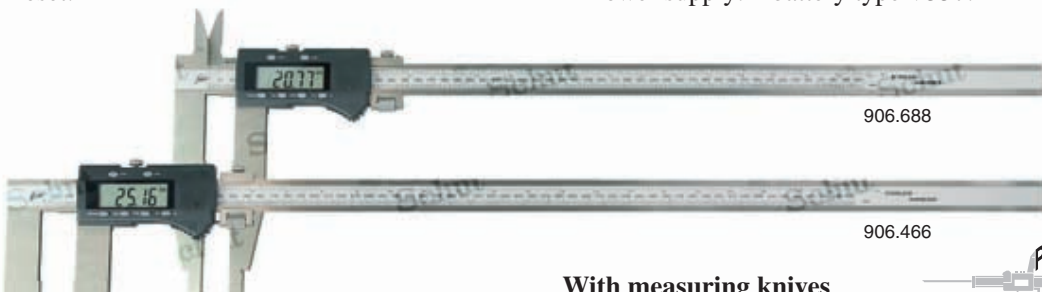
Item No.	Measuring range/mm	Read-out* mm	Price EUR
With inside angled measuring pins:			
536.152	0 - 150	0.05 ^(V)	442.00
573.654	0 - 150	0.01 ^(D)	618.00
With inside angled measuring jaws:			
536.151	0 - 150	0.05 ^(V)	344.00
573.653	0 - 150	0.01 ^(D)	525.00
With outside angled measuring pins:			
536.146	20 - 150	0.05 ^(V)	405.00
536.147	30 - 300	0.05 ^(V)	445.00
536.148	70 - 450	0.05 ^(V)	836.00
536.149	70 - 600	0.05 ^(V)	860.00
573.648	20 - 170	0.01 ^(D)	628.00
With outside angled measuring jaws:			
536.145	10 - 150	0.05 ^(V)	420.00
573.647	10 - 160	0.01 ^(D)	597.00
For tube wall thickness measurements:			
536.161	0 - 150	0.05 ^(V)	310.00
573.662	0 - 150	0.01 ^(D)	525.00
For internal measurements:			
536.142	10 - 200	0.05 ^(V)	562.00
573.643	10 - 200	0.01 ^(D)	680.00
With swivelling measuring jaw:			
536.212	0 - 200	0.05 ^(V)	550.00

* V = vernier read-out, D = digital read-out.

Absolute digital workshop calipers

- Measuring range: 0-2000 mm.
- Resolution: 0.01 mm.
- mm/inch conversion.
- ABS/INC switchable.
- On/off switch.
- Reset.

- Preset (except 906.460/686/708).
- Memory for measuring values when the display is switched off.
- Fine adjustment.
- Rounded jaw ends for internal measurements.
- Power supply: 1 battery type V357.



Without measuring knives

Item No.	Measuring range mm	Length mm		Price EUR
		J1	K	
906.708	0- 300	75	10	87.00
906.709	0- 300	150	20	128.00
906.465	0- 500	150	20	186.00
906.470	0- 500	200	20	231.00
906.718	0- 500	250	20	266.00
906.466	0- 600	150	20	260.00
906.471	0- 600	200	20	359.00
906.719	0- 600	300	20	392.00
906.467	0-1000	200	20	563.00
906.472	0-1000	300	20	808.00
906.468	0-1500	200	20	887.00
906.473	0-1500	300	20	1,230.00
906.469	0-2000	200	20	1,418.00
906.474	0-2000	300	20	1,845.00

Item No.	Description	Price EUR
836.535	Spare battery	1.60

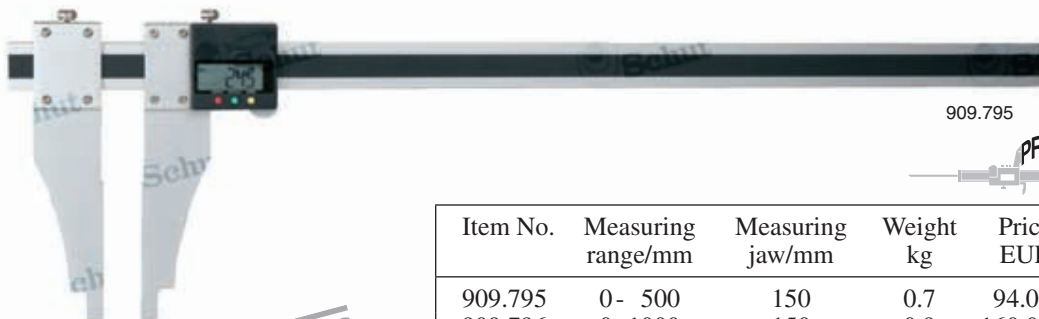
With measuring knives

Item No.	Measuring range mm	Length mm			Price EUR
		J1	J2	K	
Meas. knives for internal measurements (I):					
906.686	0- 300	75	28	10	98.00
906.687	0- 300	150	45	20	152.00
906.688	0- 500	150	45	20	200.00
906.689	0- 500	200	60	20	253.00
906.690	0- 500	250	60	20	310.00
906.691	0- 600	150	45	20	263.00
906.692	0- 600	200	60	20	338.00
906.693	0- 600	300	60	20	473.00
906.694	0-1000	200	60	20	592.00
906.695	0-1000	300	60	20	860.00
906.696	0-1500	200	60	20	945.00
906.697	0-1500	300	60	20	1,284.00
906.698	0-2000	200	60	20	1,426.00
906.699	0-2000	300	60	20	1,902.00
Meas. knives for external measurements (II):					
906.460	0- 300	75	38	10	108.00
906.758	0- 300	150	56	20	151.00
906.461	0- 500	150	56	20	212.00
906.759	0- 500	200	67	20	246.00
906.760	0- 500	250	80	20	305.00
906.761	0- 600	150	56	20	259.00
906.762	0- 600	200	67	20	334.00
906.763	0- 600	300	80	20	409.00
906.462	0-1000	200	67	20	658.00
906.764	0-1000	300	80	20	861.00
906.463	0-1500	200	80	20	1,033.00
906.765	0-1500	300	80	20	1,261.00
906.464	0-2000	200	80	20	1,530.00
906.766	0-2000	300	80	20	1,878.00

Digital aluminum workshop calipers

Lightweight digital aluminum workshop calipers with both measuring jaws moveable.

- Measuring range: 0- 1500 mm.
- Resolution: 0.1 mm.
- mm/inch conversion.
- ABS/INC switchable.
- On/off switch.
- Reset.
- Aluminum scale with hollow construction (8 x 30 mm).
- Both of the measuring jaws can be moved.
- Delivery in a case.
- Power supply: 1 battery type V357.



909.795

NEW

Item No.	Measuring range/mm	Measuring jaw/mm	Weight kg	Price EUR
909.795	0- 500	150	0.7	94.00
909.796	0- 1000	150	0.9	160.00
909.797	0- 1500	150	1.1	281.00
Option:				
836.535	Spare battery			1.60

Digital lightweight carbon workshop calipers

Different models are available in many lengths. Calipers can be supplied with for instance extra long measuring jaws, TiN coated or hardened measuring jaws or both measuring jaws moveable. There are also models where special inserts or slide on probes can be used for measuring for instance center distances, grooves or diameters.

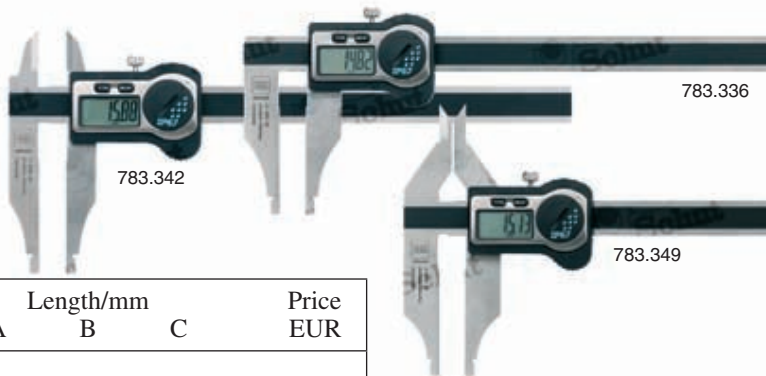


TESA TWIN-Cal digital workshop calipers IP67

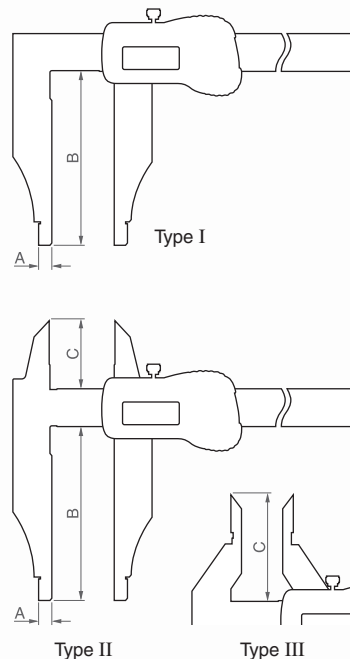
New generation IP67 workshop calipers with measuring ranges up to 1000 mm, TESA TWIN-Cal, with an absolute measuring system and a “soft touch” grip. These workshop calipers have a unique connectivity concept TWIN & LINK. All TWIN-Cal workshop calipers are equipped with a data output. Connect the TESA Link Connector (or TWIN-Cap) to the TWIN-Cal for “plug and play” (wireless) data transfer. Hardened stainless steel measuring jaws, with rounded jaw ends for internal and external measurements. Available with or without measuring knives for internal or external measurements.

- Measuring range: 0- 1000 mm.
- Resolution: 0.01 mm.
- mm/inch conversion.
- Digit height: 11 mm.
- Automatic switch-off.
- Reset.
- Hold function.
- Max. measuring speed: approx. 2.5 m/s.
- Locking screw.
- Protection: IP67 (also in combination with data output cable).

- Standard supplied with data output (USB, Digimatic or wireless).
- Delivery in a case with an inspection report and a declaration of conformity.
- Power supply: 1 battery type CR2032.



Item No.	Measuring range/mm	Length/mm			Price EUR
		A	B	C	
Without measuring knives (I):					
783.335	0- 200	5	80	–	366.00
783.336	0- 250	5	80	–	395.00
783.337	0- 300	5	90	–	416.00
783.338	0- 500	10	150	–	692.00
783.339	0- 600	10	150	–	856.00
783.340	0- 800	10	150	–	1,071.00
783.341	0- 1000	10	150	–	1,295.00
With measuring knives for external measurements (II):					
783.342	0- 200	5	80	30	392.00
783.343	0- 250	5	80	37	425.00
783.344	0- 300	5	90	37	471.00
783.345	0- 500	10	150	60	782.00
783.346	0- 600	10	150	60	967.00
783.347	0- 800	10	150	56	1,210.00
783.348	0- 1000	10	150	56	1,465.00
With measuring knives for internal measurements (III):					
783.349	0- 250	5	80	54	508.00
Options:					
495.157	Spare battery				0.50
783.301 ¹	TESA Link Connector USB				118.00
783.302 ¹	TESA Link Connector Digimatic				154.00
783.303 ¹	TESA Link Connector TWIN-Cap				159.00



¹ The TESA Link Connector will replace the battery cover.

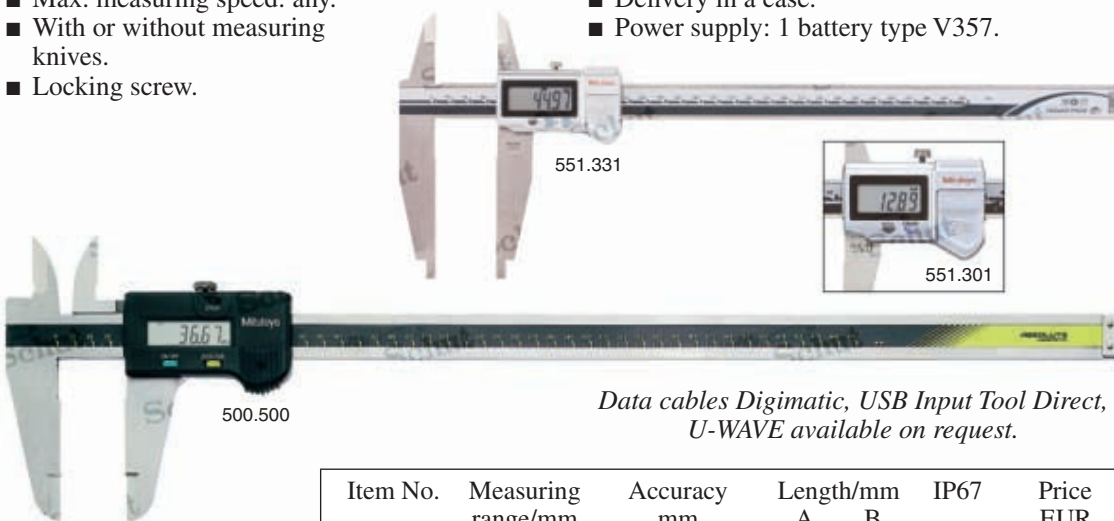
Mitutoyo Absolute Digimatic workshop calipers

Series large digital calipers with the unique Absolute measuring system to prevent inaccuracy because of an incorrect zero position. The one-time setting of origin remains as the absolute zero position until the battery has to be changed.

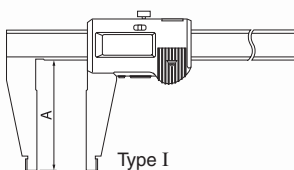
- Measuring range: 0- 1000 mm.
- Resolution: 0.01 mm.
- ABS/INC switchable.
- Digimatic data output.
- On/off switch.
- Reset.
- Max. measuring speed: any.
- With or without measuring knives.
- Locking screw.



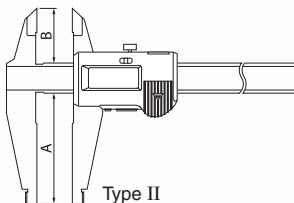
- Types I and II with rounded jaw ends for internal measurements:
measuring range ≤ 300 mm: from 10 mm,
measuring range ≥ 450 mm: from 20 mm.
- Protection: IP40 or IP67.
- Conforms to factory standard.
- Delivery in a case.
- Power supply: 1 battery type V357.



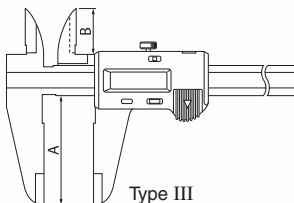
Data cables Digimatic, USB Input Tool Direct, U-WAVE available on request.



Type I



Type II



Type III

Item No.	Measuring range/mm	Accuracy mm	Length/mm A B	IP67	Price EUR
Without measuring knives (I):					
550.301 ¹	0- 200	±0.03	60 -	IP67	337.00
550.331 ²	0- 300	±0.04	75 -	IP67	405.00
550.203	0- 450	±0.05	100 -	-	599.00
550.205	0- 600	±0.05	100 -	-	677.00
550.207	0-1000	±0.07	140 -	-	1,156.00
With measuring knives for external measurements (II):					
551.301 ¹	0- 200	±0.03	60 30	IP67	362.00
551.331 ²	0- 300	±0.04	90 40	IP67	403.00
551.204	0- 500	±0.06	150 56	-	755.00
551.206	0- 750	±0.06	150 56	-	1,040.00
551.207	0-1000	±0.07	150 56	-	1,260.00
With measuring knives for internal measurements (III):					
500.500	0- 450	±0.05	90 38	-	804.00
500.501	0- 600	±0.05	90 38	-	872.00
500.502	0-1000	±0.07	130 50	-	1,515.00
Option:					
836.535	Spare battery				1.60

¹ Offset function.

² Offset and preset function.

Mitutoyo Digimatic carbon workshop calipers

Workshop calipers, with a data output, with an ultra lightweight carbon fiber construction that saves up to 50% of the total weight compared to a steel workshop caliper. Exchangeable measuring jaws for special purposes (and the necessary holders) are optionally available.

- Measuring range: 0-2000 mm, internal measurements from 20 mm.
- Resolution: 0.01 mm.
- ABS/INC switchable.
- Digimatic data output.
- On/off switch.
- Reset/preset.
- Hold function.
- Offset function for direct read-out of internal measurements.
- Max. measuring speed: any.
- Protection: IP66.
- Conforms to factory standard.
- Delivery in a case.
- Power supply: 1 battery type V357.



Data cables Digimatic, USB Input Tool Direct, U-WAVE available on request.

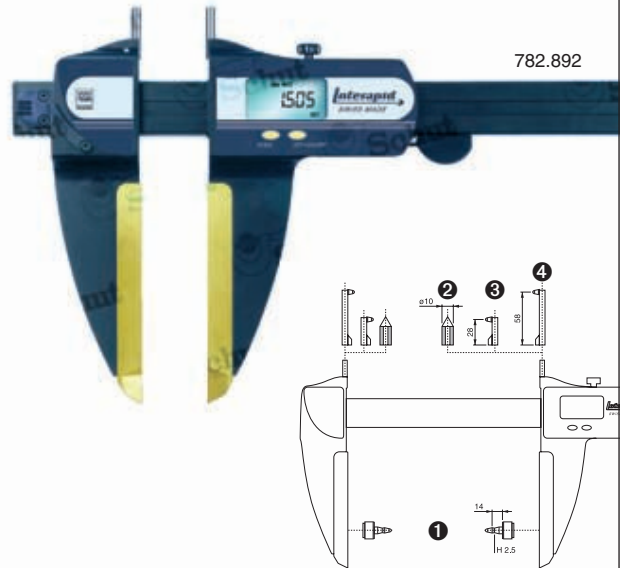
Item No.	Measuring range/mm	Accuracy/mm	Jaw length/mm	Weight/kg	Price EUR
With steel measuring faces:					
552.302	0- 450	±0.04	100	0.7	904.00
552.303	0- 600	±0.04	100	0.8	999.00
552.304	0-1000	±0.05	150	1.8	1,461.00
552.305	0-1500	±0.09	150	2.2	1,859.00
552.306	0-2000	±0.12	150	2.6	2,375.00
With ceramic measuring faces, suited for e.g. (electro)magnetic objects:					
552.155	0- 450	±0.04	100	0.7	1,356.00
552.156	0- 600	±0.04	100	0.8	1,471.00
Long measuring jaws with steel measuring faces:					
552.150	0- 450	±0.06	200	1.2	1,356.00
552.151	0- 600	±0.06	200	1.3	1,471.00
552.152	0-1000	±0.07	200	2.1	1,891.00
552.153	0-1500	±0.11	200	2.5	2,448.00
552.154	0-2000	±0.14	200	2.9	3,080.00
Options:					
836.535	Spare battery			1.60	
914.055*	Measuring jaws (pair) for center distances from 10 mm				220.00
914.057*	Measuring jaws (pair) for internal groove diameters from 50 mm				252.00
914.053*	Holders (pair) for separate measuring jaws, up to measuring range 0- 600 mm				168.00
914.054*	Holders (pair) for separate measuring jaws, from measuring range 0- 1000 mm				173.00

* Not suited for use with the workshop calipers with long measuring jaws (552.150-154).

Interapid Light universal digital workshop calipers

Lightweight workshop calipers with the patented inductive measuring system and a large measuring range. Flawless guiding and high shock resistance. For internal as well as external measurements.

- Measuring range: 0- 3050 mm.
- Resolution: 0.01 mm.
- mm/inch conversion.
- Opto-RS232C data output, bidirectional.
- On/off switch.
- Reset/preset.
- Hold, min/max and tolerance functions.
- Max. measuring speed: 1.5 m/s.
- Two reference memories (REF I and REF II).
- Jaw length: 150 mm.
- Left measuring jaw fixed (for the models up to 600 mm) or slidable.
- Hardened steel measuring jaws with a titanium nitride (TiN) coating.
- Measuring pins: $\varnothing 5$ mm. Tungsten carbide inserts for various applications available.
- Aluminum scale with hollow construction, reinforced by two hardened stainless steel rods.
- Protection: IP40.
- DIN 862.
- Accuracy conforms to factory standard.
- Delivery with an inspection report (models up to 1500 mm) and a declaration of conformity.
- Power supply: 1 battery type CR2032.
- Authentic Swiss made product.



Item No.	Type	Measuring range/mm	Accuracy mm	Repeatability mm	Total length/mm	Weight kg	Price EUR
782.891	Light 300	0- 330	± 0.03	0.02	618	1.1	1,093.00
782.859	Light 600	0- 630	± 0.04	0.02	918	1.3	1,417.00
782.892	Light 1000	0- 1025	± 0.06	0.02	1306	1.6	1,662.00
782.893	Light 1500	0- 1525	± 0.15	0.02	1806	2.0	2,774.00
782.894	Light 2000	0- 2040	± 0.25	0.03	2306	2.3	3,645.00
782.895	Light 2500	0- 2545	± 0.35	0.03	2806	2.6	4,650.00
782.896	Light 3000	0- 3050	± 0.45	0.04	3306	3.0	5,303.00

Options:

495.157	Spare battery						0.50
781.887	Opto-RS232C cable 9p, monodirectional (2 m)						114.00
782.943	Wooden case for Interapid Light 300						277.00
782.944	Wooden case for Interapid Light 600						289.00
782.945	Wooden case for Interapid Light 1000						348.00
782.946	Wooden case for Interapid Light 1500						408.00
782.939	① Pair of insert holders with M2.5 thread						70.00
782.940	② Pair of hardened steel cone probes 60°, for center distances > 10 mm						168.00
782.941	③ Pair of dial indicator insert holders for groove measurements, $l=28$ mm						134.00
782.942	④ Pair of dial indicator insert holders for groove measurements, $l=58$ mm						244.00

HELIOS-PREISSER universal digital calipers

Universal calipers with exchangeable measuring inserts for special purposes. All inserts with M2.5 thread can be used with these calipers. Please see the dial indicator accessories section for these inserts.

- Internal measuring range¹: 15 - 500 mm.
- External measuring range¹: 0 - 500 mm.
- Resolution: 0.01 mm.
- mm/inch conversion.
- ABS/INC switchable.
- Digimatic data output (only 836.569/570).
- On/off switch.
- Reset/preset.
- Hold function.
- Interchangeable measuring inserts:
 - 150 mm: 2 pairs included (ball $\varnothing 5$ mm and planar $\varnothing 4.8$ mm),
 - 300/500 mm: not included.
- Locking screw.
- Stainless steel construction.
- Protection: IP67 (only 836.548).
- Delivered with accurate setting standard 50 mm (only 836.548).
- Delivery in a case.
- Power supply: 1 battery type CR2032.



Item No.	Measuring range/mm internal ¹ external ¹	Jaw length mm	Jaw width mm	Weight kg	Price EUR
836.548	15 - 150 0 - 150	40	5	0.7	339.00
836.569	30 - 300 0 - 300	90	12	1.2	561.00
836.570	40 - 500 0 - 500	100	16	2.5	719.00

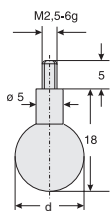
Options:

495.157	Spare battery	0.50
836.119	Digimatic output cable (2 m)	59.00
836.552	USB output cable (2 m) incl. software	66.00
836.571	RS232C output cable (2 m)	46.20

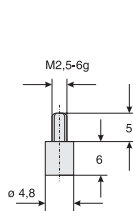


¹ The measuring range can change depending on inserts.

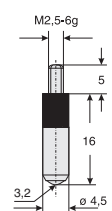
Inserts examples. For more information see the dial indicator accessories section.



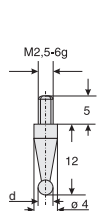
852.426 - 430



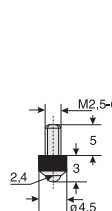
852.431/432



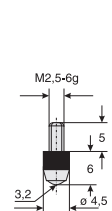
852.406 - 409



852.414 - 425



852.401



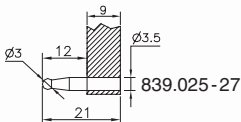
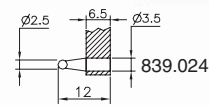
852.402 - 405

Universal digital calipers

Large universal digital calipers made of stainless steel for internal and external measurements. In combination with these universal calipers many inserts are available e.g. for measuring thread. See accessories universal digital calipers. By intake with M2.5 thread very many inserts can be used. Please see the dial indicator accessories section for these inserts.

Universal digital calipers

- Internal measuring range: 24 - 650 mm.
- External measuring range: 0 - 570 mm.
- Resolution: 0.01 mm.
- Accuracy: ± 0.02 or ± 0.03 mm.
- mm/inch conversion.
- Opto-RS232C data output.
- On/off switch.
- Reset/preset.
- Interchangeable measuring inserts.
- Many extensions and inserts available.
- Protection: IP65.
- Conforms to factory standard.
- Delivery in a case with two inserts, two insert holders and a measuring report.
- Power supply: 1 battery type CR2032.



Also models with spring system available.

Item No.	Measuring range/mm internal external	Accuracy mm	Jaw length mm	Price EUR
839.024 ¹	24 - 250 0 - 210	± 0.02	64	697.00
839.025 ²	42 - 350 0 - 270	± 0.03	103	778.00
839.026 ²	42 - 450 0 - 370	± 0.03	103	960.00
839.027 ²	42 - 650 0 - 570	± 0.03	103	1,313.00
Options:				
495.157	Spare battery			0.50
781.887	Opto-RS232C cable 9p (2 m)			114.00

¹ Inserts 837.820 and insert holders standard included.

² Inserts 837.821 and insert holders standard included.

Universal digital calipers with dial indicator

- Internal measuring range: 20 - 500 mm.
- External measuring range: 0 - 430 mm.
- Resolution: 0.01 mm.
- Dial indicator: measuring range: 0 - 5 mm, graduation: 0.01 mm.
- mm/inch conversion.
- Opto-RS232C data output.
- On/off switch.
- Reset/preset.
- Interchangeable measuring inserts.
- Fine adjustment and locking screw.
- Protection: IP65.
- Conforms to factory standard.
- Delivery in a case with a dial indicator, a removable bridge, two inserts $\phi 3$ mm, two insert holders and a measuring report.
- Power supply: 1 battery type CR2032.



Universal digital calipers with dial indicator (continued)

Item No.	Measuring range/mm		Accuracy mm	Jaw length mm	Holder bar length/mm	Price EUR
	internal	external				
837.816	20 - 200	0 - 138	±0.02	60	8	1,697.00
837.817	24 - 300	0 - 230	±0.02	80	10	1,919.00
837.845	24 - 500	0 - 430	±0.03	80	10	2,270.00

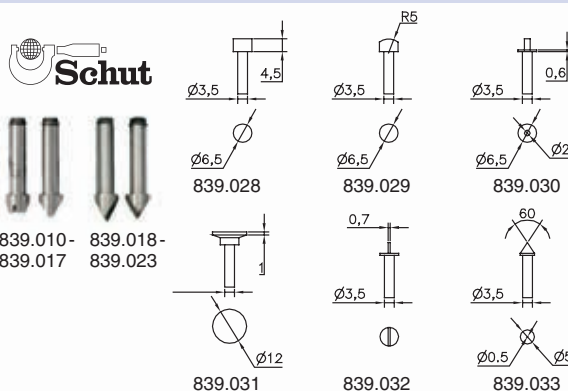
Options:

495.157 Spare battery	0.50
781.887 Opto-RS232C cable 9p (2 m)	114.00

Universal digital calipers accessories

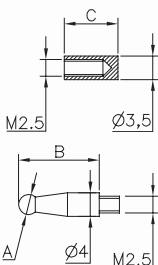
Inserts for thread measurements, per pair

Pitch mm	Item No.	Price EUR	Item No.	Price EUR
	Internal meas.:		External meas.:	
0.4 - 0.5	839.010	141.00	839.018	141.00
0.6 - 0.9	839.011	141.00	839.019	141.00
1 - 1.75	839.014	141.00	839.020	141.00
2 - 3	839.015	141.00	839.021	141.00
3.5 - 5	839.016	141.00	839.022	141.00
5.5 - 7	839.017	141.00	839.023	141.00



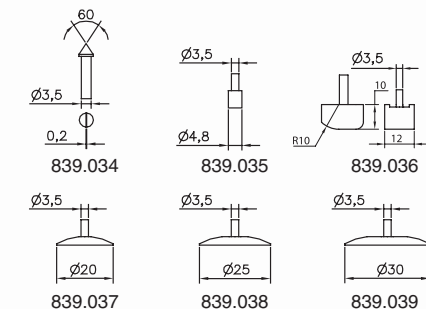
Insert holders (M2.5), per piece

Item No.	Length C/mm	Price EUR
837.832	8	22.20
837.833	10	22.20
839.054	12	38.40
839.055	20	45.00
839.056	50	66.00



Inserts (M2.5), per pair

Diameter A/mm	Length B/mm	Item No.	Price EUR	Item No.	Price EUR
		Steel:		Tungsten carbide:	
1.5	12	837.818	48.00	839.040	106.00
2	12	837.819	48.00	839.041	106.00
2.5	12	837.820	48.00	839.042	106.00
3	12	837.821	48.00	839.043	106.00
3.5	12	837.822	48.00	839.044	106.00
4	12	837.823	48.00	839.045	106.00
4.5	12	837.824	48.00	839.046	106.00
5	12	837.825	48.00	839.047	106.00
5.5	12	837.826	48.00	839.048	106.00
6	12	837.827	48.00	839.049	106.00
6.5	12	837.828	53.00	839.050	106.00
7	18	837.829	53.00	839.051	106.00
8	18	837.830	53.00	839.052	106.00
10	18	837.831	53.00	839.053	106.00



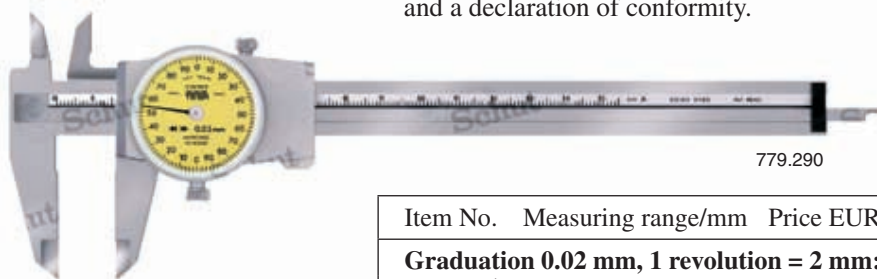
Various inserts, per piece

Item No.	Description	Price EUR
839.028	Cylindrical	89.00
839.029	Spherical	89.00
839.030	Double diameter	89.00
839.031	Disc	106.00
839.032	Flat	89.00
839.033	Conical 60°	89.00
839.034	Knife-edged 60°	89.00
839.035	Cylindrical	89.00
839.036	Flat	111.00
839.037	Disc	131.00
839.038	Disc	146.00
839.039	Disc	146.00

TESA dial calipers

Rugged dial calipers model CCMA-M and CCMA-P, out of hardened stainless steel and with patented shockproof design. Ideal for use in the workshop.

- Measuring range: 0-300 mm.
- Graduation: 0.01 or 0.02 mm.
- 1 pointer revolution = 1 or 2 mm.
- Rotatable dial, \varnothing 32 mm.
- Shockproof.
- Thumb wheel (only 782.528/529).
- Hardened stainless steel construction.
- DIN 862.
- Delivery in a case with an inspection report and a declaration of conformity.



779.290



782.444



779.289

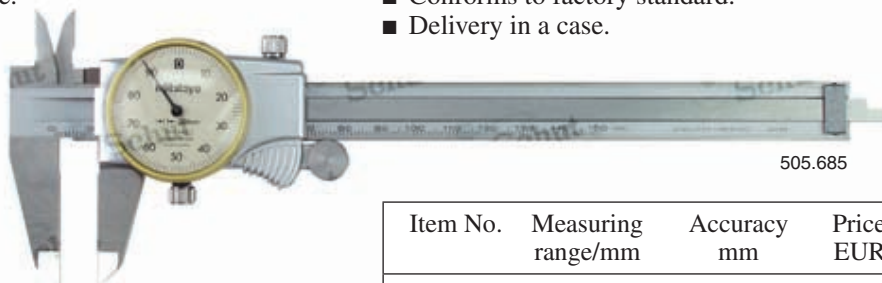
Item No.	Measuring range/mm	Price EUR
Graduation 0.02 mm, 1 revolution = 2 mm:		
779.289 ¹	0-150	125.00
779.290	0-150	125.00
782.528 ²	0-200	222.00
782.529 ²	0-300	370.00
Graduation 0.01 mm, 1 revolution = 1 mm:		
782.444	0-150	133.00

¹ Plastic dial housing.² With thumb wheel.

Mitutoyo dial calipers

Mitutoyo dial calipers, made of special corrosion-free steel, with hardened and lapped measuring faces and protected rack. Measuring jaws and knives with beveled measuring faces. The slider is titanium coated.

- Measuring range: 0-200 mm.
- Graduation: 0.01 mm.
- 1 pointer revolution = 1 mm.
- Rotatable dial.
- Yellow dial plate.
- Shockproof.
- Thumb wheel (only 505.685/686).
- Caliper and dial with locking screw.
- Dial indicator jewel beared.
- Conforms to factory standard.
- Delivery in a case.



505.685



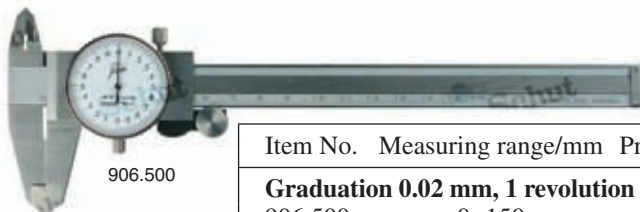
Item No.	Measuring range/mm	Accuracy mm	Price EUR
505.688	0-150	± 0.02	110.00
505.685*	0-150	± 0.02	110.00
505.686*	0-200	± 0.03	210.00

* With thumb wheel.

Dial calipers

Stainless steel dial calipers with protected rack.

- Measuring range: 0 - 300 mm.
- Graduation: 0.01 or 0.02 mm.
- 1 pointer revolution = 1 or 2 mm.
- Rotatable dial.
- Thumb wheel.
- DIN 862.



906.500

Item No.	Measuring range/mm	Price EUR
Graduation 0.02 mm, 1 revolution = 2 mm:		
906.500	0 - 150	27.20
906.499	0 - 200	47.00
906.501	0 - 300	58.00
Graduation 0.01 mm, 1 revolution = 1 mm:		
906.498	0 - 150	32.40



High-quality plastic calipers from Switzerland

These modern designed Swiss calipers are made of fiberglass re-enforced plastic, which makes them very firm and light, wear-proof, and resistant to all kinds of chemicals – ideal for the workshop! Each model is equipped with an easy read-out. Combined with the low price a line of very attractive calipers.

For 100 pieces or more the calipers and folding rules are available with prints. This gives you the opportunity to promote your company name or logo in an easy way and is within your own company, as well when used as a business gift, an outstanding marker. For more information about the printing possibilities please contact our sales department.

- Measuring range: 0 - 150 mm.
- Accuracy: $\pm(0.1+0.001L)$ mm (L in mm).
- Thumb wheel.
- Delivery in a case.

Vernier caliper

- Vernier: 0.1 mm / 1/64 inch.
- The scale lightens up with minimal light.

Dial caliper

- Graduation: 0.1 mm.
- 1 pointer revolution = 10 mm.
- Rotatable dial, $\varnothing 32$ mm.
- The dial is shockproof and can be set to zero.

Digital caliper

- Resolution: 0.01 mm.
- mm/inch conversion.
- On/reset switch.
- Off switch.
- Power supply: 1 battery type V357.



837.207



837.205



837.201



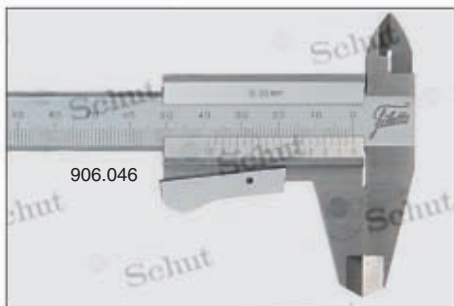
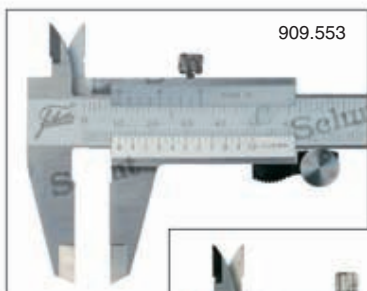
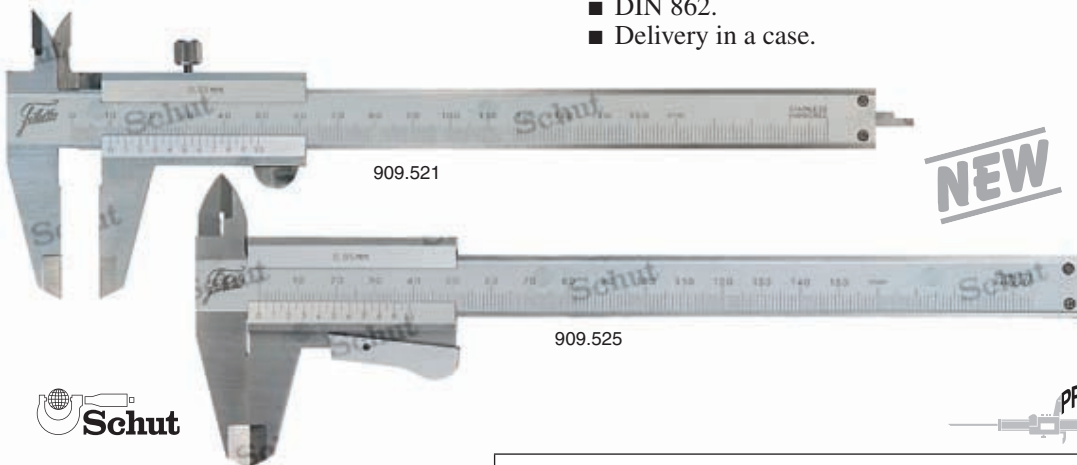
837.209:
set with folding
rule of 1 m

Item No.	Description	Price EUR
837.207	Vernier caliper	12.80
837.205	Dial caliper	18.60
837.209	Set of dial caliper 837.205 with a folding rule of 1 m	21.60
837.201	Digital caliper	55.00
Option:		
836.535	Spare battery	1.60

Calipers

Hardened stainless steel calipers with no-glare chrome finished scale and vernier.

- Measuring range: 0-300 mm.
- Vernier: 0.05 or 0.02 mm.
- Raised sliders (except 909.538).
- Locking screw or spring release.
- Flat depth rod.
- Thread table on the back side.
- DIN 862.
- Delivery in a case.



Item No.	Measuring range/mm	Vernier mm	Jaw length mm	Price EUR
Locking screw on top:				
909.541	0-150	0.02	40	13.40
909.542	0-160	0.02	40	14.00
909.543	0-200	0.02	50	18.30
909.544	0-300	0.02	62	35.00
Locking screw on top:				
909.520	0-100	0.05	30	11.50
909.521	0-150	0.05	40	13.10
909.522	0-160	0.05	40	14.80
909.523	0-200	0.05	50	17.70
909.524	0-300	0.05	62	33.20
With thumb wheel (locking screw on top):				
909.553	0-150	0.05	40	15.10
909.554	0-200	0.05	50	20.20
909.555	0-300	0.05	62	38.10
Parallax-free (locking screw on top):				
909.538	0-150	0.05	40	24.90
Spring release:				
909.525	0-150	0.05	40	13.50
909.526	0-160	0.05	40	14.00
909.527	0-200	0.05	50	17.70
909.528	0-300	0.05	62	33.20
Spring release, left-handed model:				
906.046	0-150	0.05	40	19.70
906.047	0-150	0.02	40	21.10

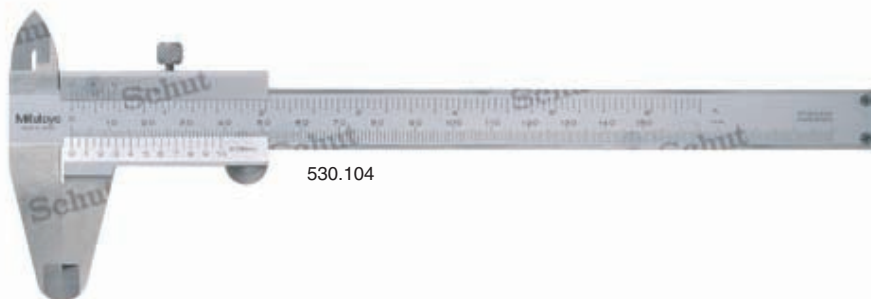
Mitutoyo calipers

Mitutoyo calipers suitable for outside, inside, height and depth measurements. Measuring jaws and knives with beveled measuring faces for measuring small grooves and bores.

- Measuring range: 0-300 mm.
- Vernier: 0.05 mm / 1/128 inch.
- Flat depth rod.
- Raised sliders.
- Thread table on the back side (only 531.122/530.316).
- No-glare chrome finished scale and vernier.
- Lapped, hardened steel measuring faces.
- DIN 862.
- Delivery in a case.

Also available:

- with vernier: 0.02 mm,
- in only metric model,
- with round depth rod $\varnothing 1,9$ mm,
- with tungsten carbide measuring faces.



530.104



536.310



531.122



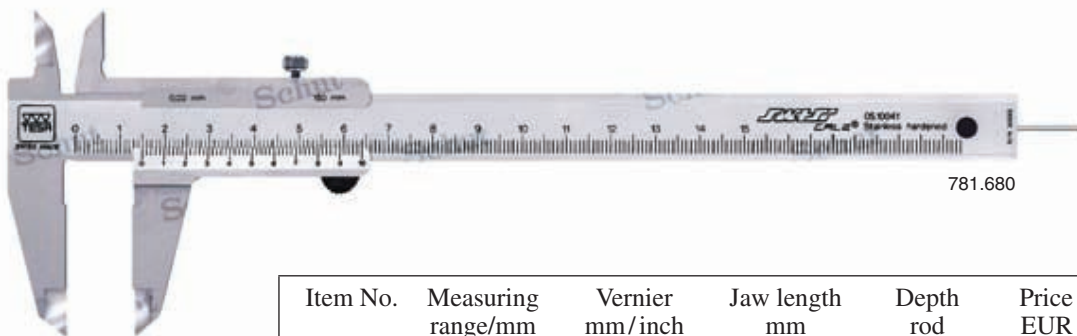
Item No.	Measuring range/mm	Jaw length mm	Price EUR
Locking screw on top:			
530.104	0-150	40	30.00
530.114	0-200	50	74.00
530.115	0-300	64	178.00
Locking screw on the bottom-side:			
530.316	0-150	40	46.00
Left-handed model:			
536.310 ¹	0-150	40	120.00
Spring release:			
531.122	0-150	40	36.00
531.108	0-200	50	85.00
531.109	0-300	64	195.00

¹ Without inch graduation.

TESA calipers

Swiss high-precision stainless steel caliper with no-glare chrome finished scale and vernier.

- Measuring range: 0-300 mm.
- Vernier: 0.02 mm, 0.05 mm or 0.05 mm / 1/128 inch.
- Locking screw.
- Round ($\varnothing 1.5$ mm) or flat (1.5-2 mm) depth rod.
- DIN 862.
- Delivery in a case with an inspection report and a declaration of conformity.



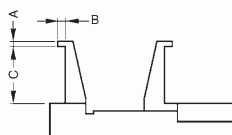
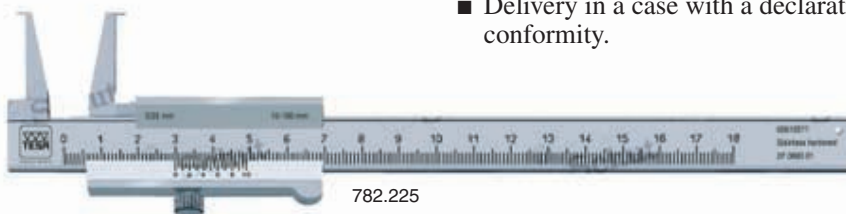
783.276

Item No.	Measuring range/mm	Vernier mm/inch	Jaw length mm	Depth rod	Price EUR
With mm graduation:					
781.680	0-150	0.02	40	round	71.00
783.275	0-150	0.05	40	round	73.00
With mm/inch graduation:					
783.276	0-150	0.05/1/128	40	round	86.00
783.277	0-200	0.05/1/128	50	flat	157.00
783.278	0-300	0.05/1/128	64	-	311.00

TESA calipers with outside angled measuring jaws

Specially designed for measuring bore and internal groove diameters, e.g. on internal safety rings.

- Measuring range: 10-200 mm.
- Vernier: 0.05 mm.
- Locking screw.
- Hardened stainless steel construction.
- Conforms to factory standard.
- Delivery in a case with a declaration of conformity.



Item No.	Measuring range/mm	Length/mm			Price EUR
		A	B	C	
782.225	10-160	0.9	3	25	190.00
782.226	20-160	2	5	40	270.00
782.227	26-200	3	7	60	349.00

Workshop calipers

Hardened stainless steel workshop calipers with no-glare chrome finished scale and vernier.

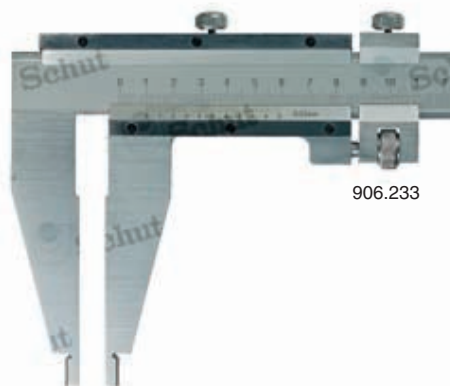
- Measuring range: 0- 1500 mm.
- Vernier: 0.02 mm.
- Raised sliders.
- Fine adjustment.
- With measuring knives or rounded jaw ends for internal measurements.
- Locking screws.
- DIN 862.
- Delivery in a case.



906.230



Item No.	Measuring range mm	Internal measurements from/mm	Jaw length mm	Price EUR
With measuring knives for internal measurements:				
906.230	0- 300	–	65	51.00
With rounded jaw ends for internal measurements:				
906.231	0- 300	10	80	65.00
906.233	0- 500	10	100	79.00
906.234	0- 600	10	100	81.00
906.235	0-1000	20	125	284.00
906.236	0-1500	20	125	634.00

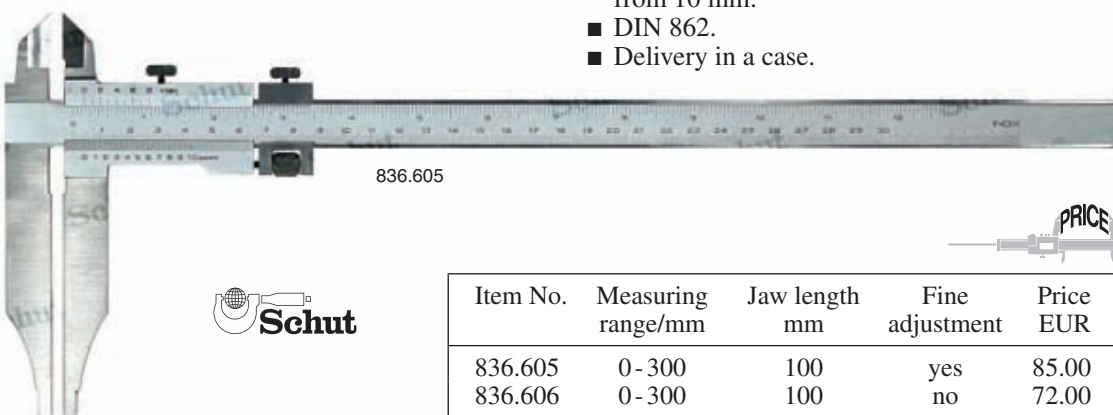


906.233

Workshop calipers with extended jaw lengths

Hardened stainless steel workshop calipers with no-glare chrome finished scale and vernier.

- Measuring range: 0-300 mm.
- Vernier: 0.05 mm / 1/128 inch.
- Raised sliders.
- With or without fine adjustment.
- Measuring knives for external measurements.
- Rounded jaw ends for internal measurements from 10 mm.
- DIN 862.
- Delivery in a case.



836.605



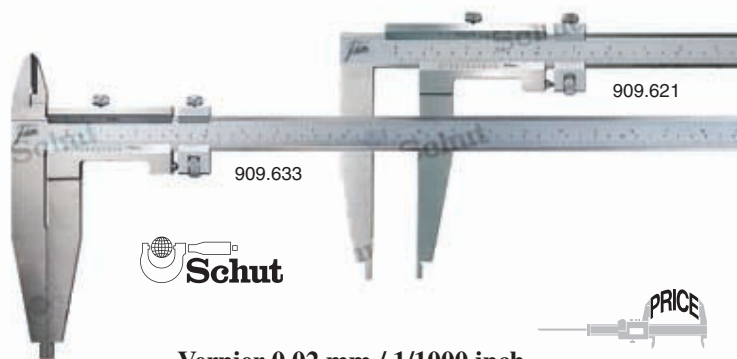
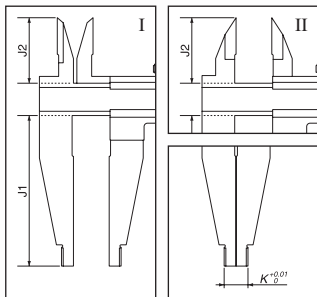
Item No.	Measuring range/mm	Jaw length mm	Fine adjustment	Price EUR
836.605	0-300	100	yes	85.00
836.606	0-300	100	no	72.00



Workshop calipers

Large and solid, stainless steel calipers with no-glare chrome finished scale and vernier.

- Measuring range: 0-2000 mm.
- Vernier: 0.02 mm / 1/1000 inch or 0.05 mm / 1/128 inch.
- Fine adjustment.
- With or without measuring knives for internal or external measurements.
- Rounded jaw ends for internal measurements; measuring range ≤600 mm: $K = 10$ mm, measuring range >600 mm: $K = 20$ mm.
- DIN 862.
- Delivery in a case with a declaration of conformity.



Vernier 0.05 mm / 1/128 inch

Item No.	Measuring range mm	Length mm			Price EUR
		J1	J2	K	
Without measuring knives:					
909.670	0- 300	90	-	10	78.00
909.620	0- 450	150	-	10	142.00
909.621	0- 500	150	-	10	154.00
909.622	0- 600	150	-	10	165.00
909.623	0- 800	150	-	20	272.00
909.624	0-1000	150	-	20	329.00
909.639	0-1500	200	-	20	823.00
909.640	0-2000	200	-	20	1,121.00
Meas. knives for internal measurements (I):					
909.672	0- 300	90	22	10	106.00
909.632	0- 400	100	46	10	148.00
909.633	0- 500	150	46	10	221.00
909.634	0- 600	150	46	10	264.00
909.635	0- 750	150	54	20	409.00
909.636	0-1000	150	54	20	476.00
909.637	0-1500	200	66	20	1,128.00
909.638	0-2000	200	66	20	1,371.00
Meas. knives for external measurements (II):					
909.674	0- 300	90	22	10	111.00
909.656	0- 400	100	46	10	155.00
909.657	0- 500	150	46	10	233.00
909.658	0- 600	150	46	10	264.00
909.659	0- 750	150	54	20	409.00
909.660	0-1000	150	54	20	500.00
909.661	0-1500	200	66	20	1,184.00
909.662	0-2000	200	66	20	1,439.00

Vernier 0.02 mm / 1/1000 inch

Item No.	Measuring range mm	Length mm			Price EUR
		J1	J2	K	
Without measuring knives:					
909.671	0- 300	90	-	10	78.00
909.615	0- 450	150	-	10	142.00
909.616	0- 500	150	-	10	154.00
909.617	0- 600	150	-	10	165.00
909.618	0- 800	150	-	20	272.00
909.619	0-1000	150	-	20	329.00
909.641	0-1500	200	-	20	823.00
909.642	0-2000	200	-	20	1,121.00
Meas. knives for internal measurements (I):					
909.673	0- 300	90	22	10	106.00
909.625	0- 400	100	46	10	155.00
909.626	0- 500	150	46	10	221.00
909.627	0- 600	150	46	10	264.00
909.628	0- 750	150	55	20	389.00
909.629	0-1000	150	55	20	476.00
909.630	0-1500	200	66	20	1,128.00
909.631	0-2000	200	66	20	1,306.00
Meas. knives for external measurements (II):					
909.675	0- 300	90	22	10	111.00
909.663	0- 400	100	46	10	155.00
909.664	0- 500	150	46	10	221.00
909.665	0- 600	150	46	10	277.00
909.666	0- 750	150	55	20	429.00
909.667	0-1000	150	55	20	500.00
909.668	0-1500	200	66	20	1,128.00
909.669	0-2000	200	66	20	1,371.00

HELIOS-PREISSER workshop calipers

Large and solid, stainless steel calipers with no-glare chrome finished scale and vernier. The calipers with a measuring range up to 300 mm have a mm/inch graduation, those with a measuring range of 400 mm and more only have a metric graduation.

- Measuring range: 0- 1000 mm.
- Vernier: 0.05 mm / 1/128 inch.
- Rounded jaw ends for internal measurements.
- With or without fine adjustment.
- With or without measuring knives for external measurements.
- DIN 862.
- Delivery with an inspection report.
- Case available on request.

**Without measuring knives**

Item No.	Measuring range/mm	Jaw length mm	Price EUR
Without fine adjustment:			
836.360	0- 200	80	99.00
836.361	0- 300	90	135.00
836.362	0- 400	125	286.00
836.363	0- 500	150	376.00
836.364	0- 600	150	449.00
836.365	0- 800	150	466.00
836.367	0-1000	150	581.00
With fine adjustment:			
836.380	0- 200	80	122.00
836.381	0- 300	90	161.00
836.382	0- 400	125	334.00
836.383	0- 500	150	423.00
836.384	0- 600	150	495.00
836.385	0- 800	150	524.00
836.386	0-1000	150	640.00

With meas. knives for external measurements

Item No.	Measuring range/mm	Jaw length mm	Price EUR
Without fine adjustment:			
836.370	0- 200	80	119.00
836.371	0- 300	90	151.00
836.372	0- 400	125	350.00
836.373	0- 500	150	451.00
836.374	0- 600	150	512.00
836.375	0- 800	150	580.00
836.376	0-1000	150	697.00
With fine adjustment:			
836.390	0- 200	80	136.00
836.391	0- 300	90	174.00
836.392	0- 400	125	397.00
836.393	0- 500	150	488.00
836.394	0- 600	150	555.00
836.395	0- 800	150	639.00
836.396	0-1000	150	755.00

Probe set for calipers

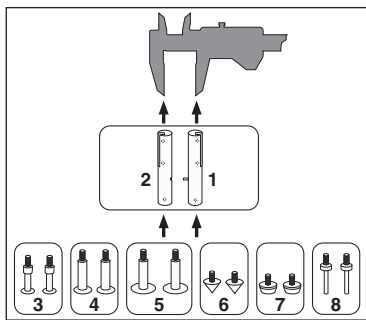
This probe set enlarges the possibilities of a regular caliper. Probe holders are slid on the measuring jaw of the caliper. The different probes can be screwed onto them. The probe set makes it possible to execute measurements which are not possible with a regular caliper, such as measuring internal grooves and center distances.

- Maximum jaw thickness: 3.2 mm.
- Delivery in a wooden case.



The set consists of:

- ① right probe holder,
- ② left probe holder,
- ③ pair of disc probes $\varnothing 6$ mm,
- ④ pair of disc probes $\varnothing 10$ mm,
- ⑤ pair of disc probes $\varnothing 12.5$ mm,
- ⑥ pair of cone probes $\varnothing 9$ mm, 60° ,
- ⑦ pair of cone probes $\varnothing 12.5$ mm, 60° ,
- ⑧ pair of cylindrical probes $\varnothing 1.5 \times 9$ mm,
- ⑨ hexagon key.



Item No.	Description	Price EUR
909.655	Probe set for calipers	52.00

\varnothing		
6 mm	>16 mm	>4 mm
10 mm	>20 mm	>1 mm
12.5 mm	>22 mm	>0 mm

3, 4, 5
Disc probes for internal measurements.

6
Conical probes (9 mm) for measuring center distances of two equal holes.

7
Conical probes (12.5 mm) for measuring center distances of two equal holes.

8
Horizontally positioned cylindrical probes for measuring internal grooves > 45 mm.

8
Vertically positioned cylindrical probes.

Caliper inspection set

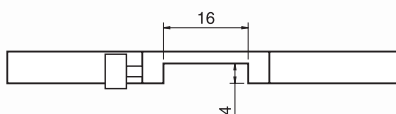
For checking the accuracy of DIN 862 calipers. The set consists of three special steel gauge blocks (30 mm, 41.3 mm and 131.4 mm, ISO 3650 class 1), two steel setting rings (ø4 mm and ø25 mm) and a pair of gloves.



Item No.	Description	Price EUR
909.347	Caliper inspection set	223.00

Depth measuring base for calipers

Universal depth measuring base for stable and accurate depth measurements. Suitable for most of the calipers with a depth rod and a measuring range up to 200 mm. For more information please contact our sales department.



Item No.	Measuring face l x w/mm	Price EUR
909.156	75 x 6	12.80

Depth measuring bases for calipers

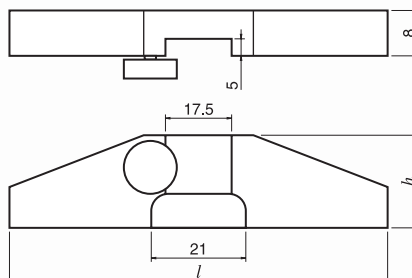
Universal depth measuring bases for stable and accurate depth measurements. Suitable for most of the calipers with a depth rod and a measuring range up to 200 mm. For more information please contact our sales department.



909.386



Item No.	Measuring face l x w/mm	Height h/mm	Price EUR
909.386	80 x 8	20	15.70
909.387	100 x 8	24	17.40



Mitutoyo caliper inspection set

For checking the accuracy of DIN 862 calipers.

The set consists of three special steel gauge blocks (30 mm, 41.3 mm and 131.4 mm, ISO 3650 class 1), two steel setting rings ($\varnothing 4$ mm and $\varnothing 25$ mm) and a pair of gloves.

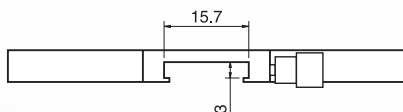
- Delivery in a case with a manufacturer's certificate for the gauge blocks.



Item No.	Description	Price EUR
516.124	Caliper inspection set	799.00

TESA depth measuring base for calipers

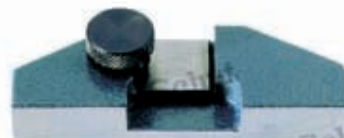
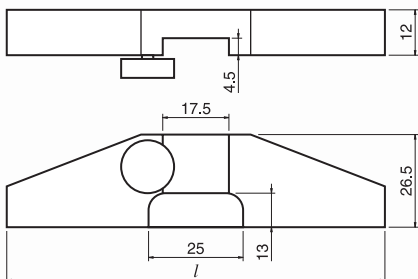
Suitable for most of the TESA calipers with a depth rod and measuring range 150 mm.



Item No.	Measuring face l x w/mm	Price EUR
779.362	75 x 6	33.00

Mitutoyo depth measuring bases for calipers

Universal depth measuring bases for stable and accurate depth measurements. Suitable for most of the calipers with a depth rod and a measuring range up to 200 mm.



150.083



150.084



Item No.	Measuring face l x w/mm	Price EUR
150.083	75 x 12	46.00
150.084	100 x 12	51.00

Soft cases for calipers

Protect calipers during transport and storage.

- For regular shaped calipers (analog, digital and dial type).

- Made of synthetic leather.



Item No.	For meas. range/mm	Price EUR
909.494	100	2.50
909.495	150	3.10
909.496	160	3.50
909.497	200	5.10
909.498	300	7.00

Digital protractor

Compact digital protractor to attach to a caliper or height gauge.

- Measuring range: 180°.
- Resolution: 0.01° or 1'.
- Accuracy: $\pm 5'$.
- Digimatic data output.
- On/off switch.
- Automatic switch-off (adjustable).
- Preset or hold function.
- Reset.
- Reversible measuring direction.
- Weight: 160 g.
- Delivery in a case including assembly key, mounting bracket (clamping shaft 9 x 9 mm) and clamping screw for height gauge.
- Power supply: 2 batteries type AAA.



Item No.	Description	Price EUR
855.803	Digital protractor	444.00
Options:		
497.914	Spare battery (2 needed)	0.40
905.338	Digimatic cable, 1 m	29.00
905.409	Digimatic cable, 2 m	35.00

Measuring instruments set

- Caliper 0-150 mm, vernier 0.02 mm.
- Micrometer 0-25 mm, graduation 0.01 mm.
- Precision square 100 x 70 mm.
- Ruler 0-150 mm.
- Adjustment tool.



Item No.	Description	Price EUR
906.176	Meas. instruments set	56.00



Depth calipers

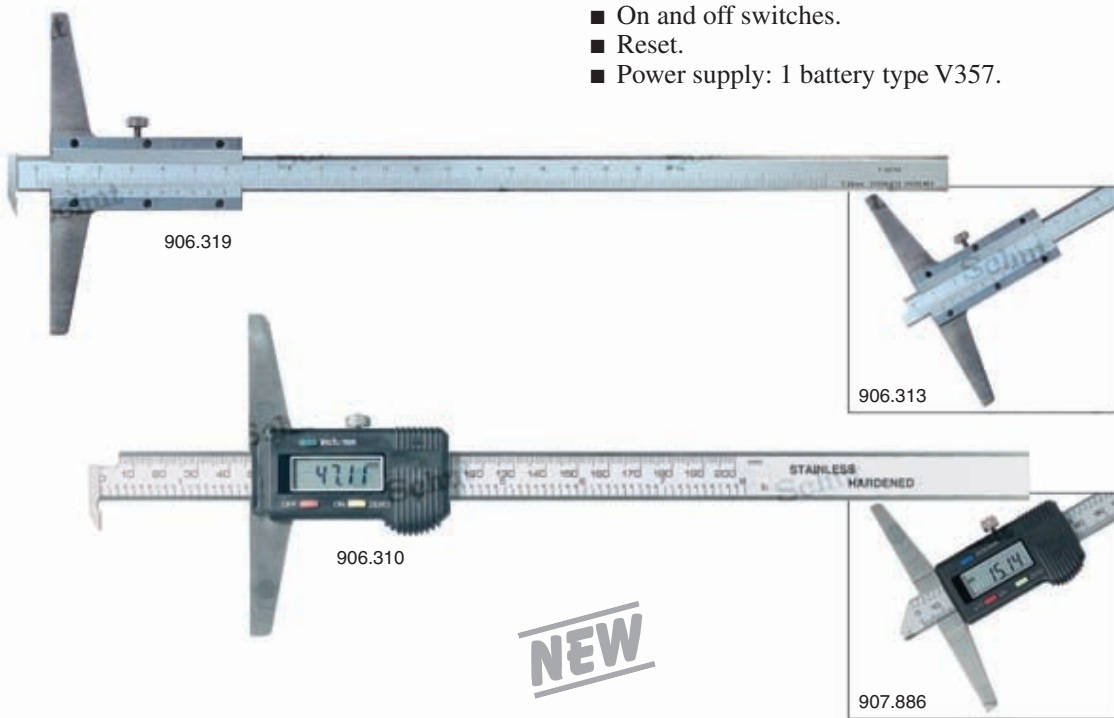
- Measuring range: 0 - 500 mm.
- Analog: vernier 0.02 mm, digital: resolution 0.01 mm.
- With or without hook (8 x 3 mm, l x w).

Analog

- Stainless steel construction.
- No-glare chrome finished scale and vernier.

Digital

- mm/inch conversion.
- On and off switches.
- Reset.
- Power supply: 1 battery type V357.



Analog

Item No.	Measuring range/mm	Base length/mm	Price EUR
Without hook:			
906.314	0 - 150	100	30.70
906.313	0 - 200	100	30.70
906.315	0 - 300	100	33.70
906.317	0 - 500	100	51.00
With hook:			
906.318	0 - 150	100	31.60
906.319	0 - 200	100	31.60
906.321	0 - 300	100	34.90
906.322	0 - 500	100	57.00

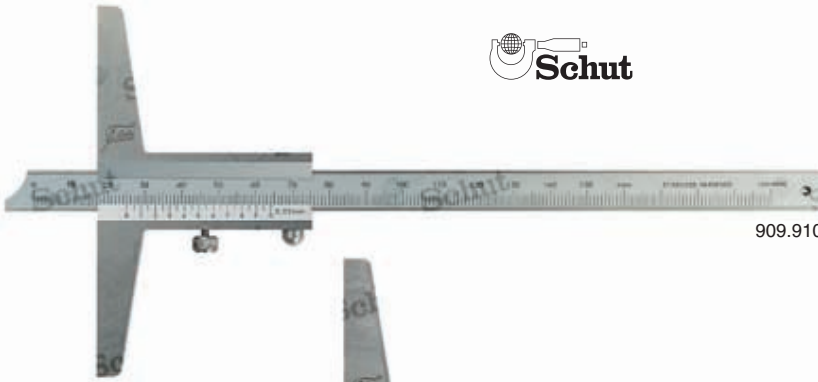
Digital

Item No.	Measuring range/mm	Base length/mm	Price EUR
Without hook:			
907.886	0 - 150	100	43.00
907.887	0 - 200	100	43.00
907.888	0 - 300	100	55.00
907.898	0 - 500	120	94.00
With hook:			
906.309	0 - 150	100	44.00
906.310	0 - 200	100	44.00
906.311	0 - 300	100	56.00
906.312	0 - 500	100	95.00
Option:			
836.535	Spare battery		1.60

Depth calipers

Depth calipers with or without hook.

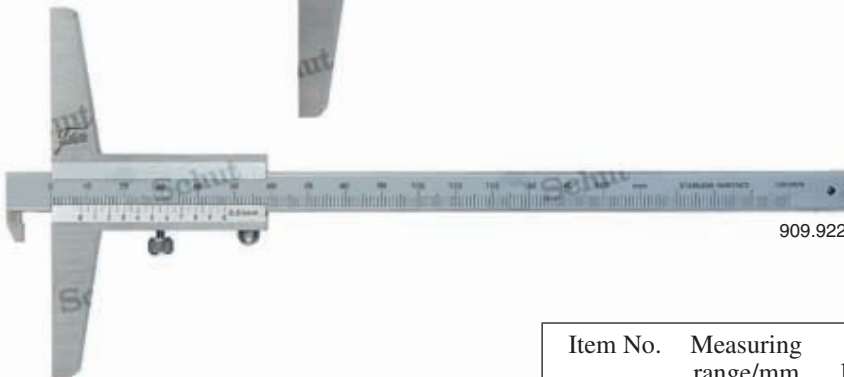
- Measuring range: 0 - 300 mm.
- Vernier: 0.05 mm.
- No-glare chrome finished scale and vernier.
- Stainless steel construction.
- DIN 862.
- Larger measuring ranges available on request.



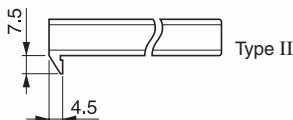
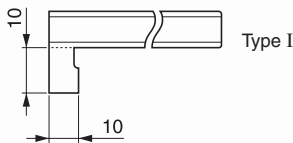
909.910



909.916



909.922

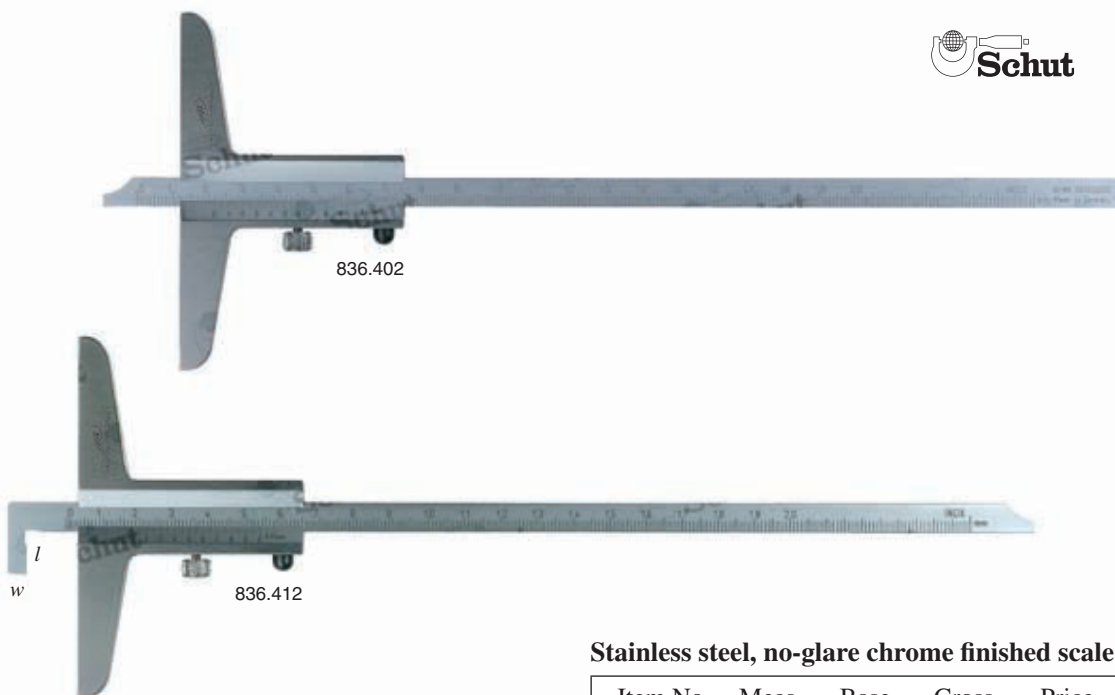


Item No.	Measuring range/mm	Base length/mm	Price EUR
Without hook:			
909.910	0 - 150	100	27.60
909.911	0 - 200	100	37.50
909.912	0 - 300	100	49.00
With hook (type I):			
909.916	0 - 150	100	42.00
909.917	0 - 200	100	53.00
909.918	0 - 300	100	82.00
With hook (type II):			
909.922	0 - 150	100	42.00
909.923	0 - 200	100	53.00
909.924	0 - 300	100	82.00

HELIOS-PREISSER depth calipers

Depth calipers with or without hook. The models with a hook have graduations on both sides of the scale, allowing reversed usage (i.e. without hook) of the instrument.

- Measuring range: 0- 1000 mm.
- Vernier: 0.05 mm.
- No-glare chrome finished vernier.
- DIN 862.
- Length (l) and width (w) of the hook at a scale cross-section of
 - 8 x 3 mm: 12 x 5 mm,
 - 12 x 4 mm: 16 x 10 mm,
 - 20 x 5 mm: 54 x 19 mm.



Special steel

Item No.	Meas. range mm	Base length mm	Cross-section scale/mm	Price EUR
Without hook:				
836.445	0- 200	100	8 x 3	45.00
836.446	0- 300	150	12 x 4	60.00
836.448	0- 500	250	20 x 5	126.00
836.449	0- 800	250	20 x 5	219.00
836.450	0-1000	250	20 x 5	303.00
With hook:				
836.431	0- 200	100	8 x 3	54.00
836.433	0- 300	150	12 x 4	73.00

Stainless steel, no-glare chrome finished scale

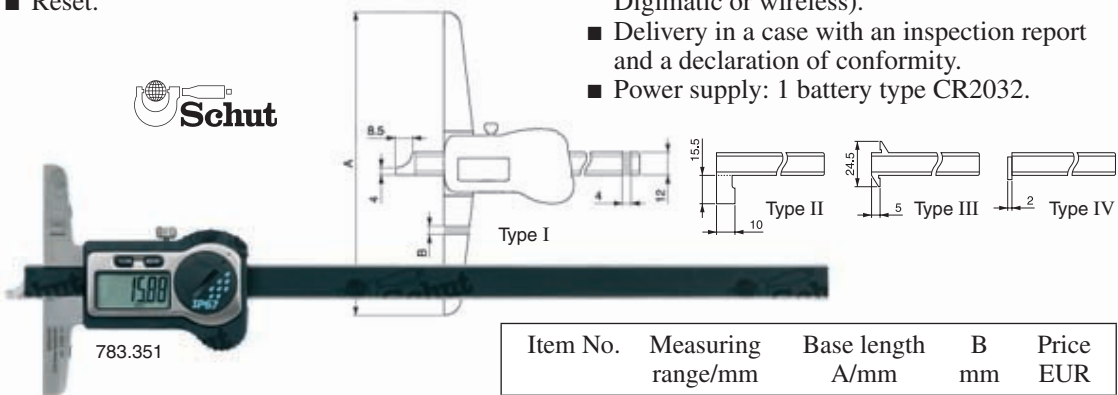
Item No.	Meas. range mm	Base length mm	Cross-section scale/mm	Price EUR
Without hook:				
836.402	0- 200	100	8 x 3	76.00
836.403	0- 300	150	12 x 4	91.00
836.404	0- 500	150	12 x 4	141.00
836.405	0- 500	250	20 x 5	215.00
836.407	0- 800	250	20 x 5	357.00
836.410	0-1000	250	20 x 5	506.00
With hook:				
836.412	0- 200	100	8 x 3	87.00
836.413	0- 300	150	12 x 4	106.00
836.414	0- 500	150	12 x 4	170.00
836.415	0- 500	250	20 x 5	358.00
836.417	0- 800	250	20 x 5	483.00
836.420	0-1000	250	20 x 5	615.00

TESA TWIN-Cal digital depth calipers IP67

New generation IP67 depth calipers, TESA TWIN-Cal, with an absolute measuring system and a "soft touch" grip. These depth calipers have a unique connectivity concept TWIN & LINK. All TWIN-Cal depth calipers are equipped with a data output. Connect the TESA Link Connector (or TWIN-Cap) to the TWIN-Cal for "plug and play" (wireless) data transfer. Waterproof, hardened stainless steel depth calipers, in different versions of the beam's measuring face. Suited for use with removable bridges. There is also a small depth gauge available.

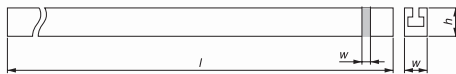
- Measuring range: 0 - 500 mm.
- Resolution: 0.01 mm.
- mm/inch conversion.
- Digit height: 11 mm.
- Automatic switch-off.
- Reset.

- Max. measuring speed: approx. 2.5 m/s.
- Locking screw.
- Protection: IP67 (also in combination with data output cable).
- Standard supplied with data output (USB, Digimatic or wireless).
- Delivery in a case with an inspection report and a declaration of conformity.
- Power supply: 1 battery type CR2032.

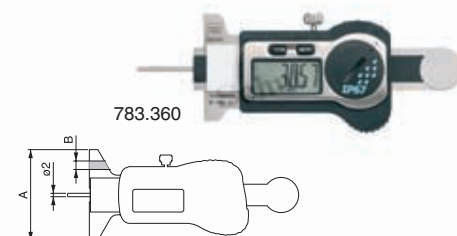


Removable bridges*

Item No.	Meas. face l x w/mm	Height h/mm	Price EUR
782.886	200 x 8	10±0.005	215.00
782.949	300 x 8	16±0.005	230.00
782.887	400 x 8	16±0.005	238.00



* Delivery in a case with clamp device and a declaration of conformity. Conforming to factory standard. Not suited for use with 783.360.



Item No.	Measuring range/mm	Base length A/mm	B mm	Price EUR
Short cut measuring face (I):				
783.350	0 - 200	100	8	417.00
783.351	0 - 250	100	8	438.00
783.352	0 - 300	150	8	462.00
783.353	0 - 500	150	8	571.00
Measuring face with one hook (II):				
783.354	0 - 300	150	8	534.00
783.355	0 - 500	150	8	629.00
Measuring face with two hooks (III):				
783.356	0 - 300	150	8	667.00
Measuring face with rotary stop (IV):				
783.357	0 - 250	100	8.5	475.00
783.358	0 - 350	100	8.5	525.00
783.359	0 - 500	150	8.5	658.00
Small depth gauge with steel depth rod:				
783.360	0 - 25	50	7.4	332.00
Options:				
495.157	Spare battery			0.50
783.301 ¹	TESA Link Connector USB			118.00
783.302 ¹	TESA Link Connector Digimatic			154.00
783.303 ¹	TESA Link Connector TWIN-Cap			159.00

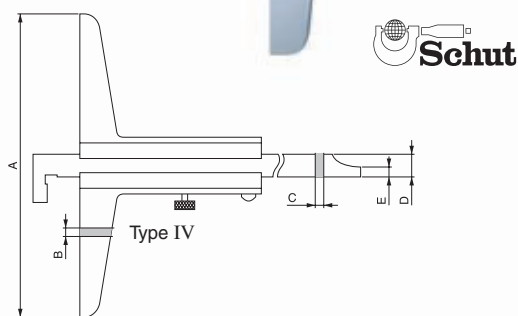
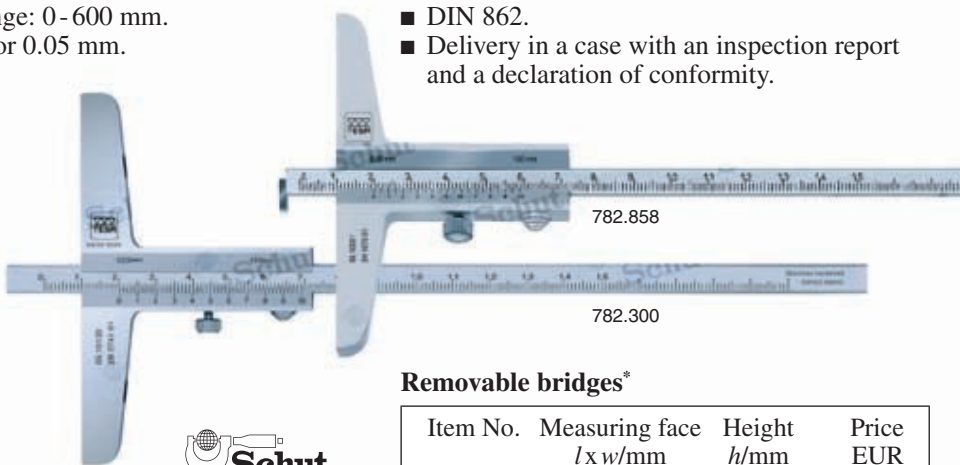
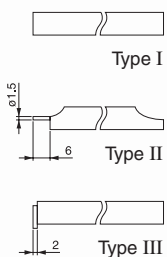
¹ The TESA Link Connector will replace the battery cover.

TESA depth calipers

Hardened stainless steel depth calipers with no-glare chrome finished scale and vernier. Reduced scale section for easy access to difficult measuring points. The main scale is slightly set back for wear protection. Suited for use with removable bridges. Authentic Swiss made product.

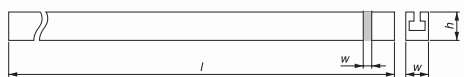
- Measuring range: 0-600 mm.
- Vernier: 0.02 or 0.05 mm.

- DIN 862.
- Delivery in a case with an inspection report and a declaration of conformity.



Removable bridges*

Item No.	Measuring face <i>l</i> x <i>w</i> /mm	Height <i>h</i> /mm	Price EUR
782.886	200 x 8	10 ^{±0.005}	215.00
782.949	300 x 8	16 ^{±0.005}	230.00
782.887	400 x 8	16 ^{±0.005}	238.00



* Delivery in a case with clamp device and a declaration of conformity. Conforming to factory standard.

Measuring range/mm	Base length <i>A</i> /mm	Dimensions/mm					Vernier 0.05 mm		Vernier 0.02 mm	
		B	C	D	E	Item No.	Price EUR	Item No.	Price EUR	
Flat measuring face (I):										
0 - 150	100	7.5	3	8	—	782.872	108.00	782.300	108.00	
0 - 250	100	7.5	3	8	—	782.081	154.00	782.301	154.00	
0 - 500	100	8.5	4	12	—	782.873	302.00	782.302	302.00	
0 - 600	150	8.5	4	12	—	—	—	782.303	385.00	
Convertible models with a steel tip and a short cut measuring face (II):										
0 - 150	100	7.5	3	8	3.5	782.304	170.00	782.870	170.00	
0 - 250	100	7.5	3	8	4	782.875	243.00	782.305	243.00	
Measuring face with rotary stop (III):										
0 - 150	130	8.5	4	12	—	782.858	259.00	782.306	259.00	
0 - 250	130	8.5	4	12	—	782.876	292.00	782.307	292.00	
0 - 500	130	8.5	4	12	—	—	—	782.308	392.00	
Convertible models with a hook and a short cut measuring face (IV):										
0 - 150	100	7.5	3	8	3.5	—	—	782.878	240.00	
0 - 250	130	8.5	4	12	4	—	—	782.880	274.00	
0 - 300	150	8.5	4	12	4	—	—	782.882	318.00	
0 - 500	150	8.5	4	12	4	—	—	782.884	401.00	

Depth calipers

Waterproof, hardened stainless steel depth calipers, in different versions of the beam's measuring face. Suited for use with removable bridges.

- Measuring range: 0- 800 mm.
- Resolution: 0.01 mm.
- Accuracy: ± 0.03 mm or ± 0.04 mm.
- On/off switch.
- Automatic switch-off.
- Reset/preset.
- Hold function.
- Locking screw.
- Protection: IP67.
- Standard supplied with insert 839.077.
- Conforms to factory standard.
- Delivery in a case with an inspection report.
- Power supply: 1 battery type CR2032.



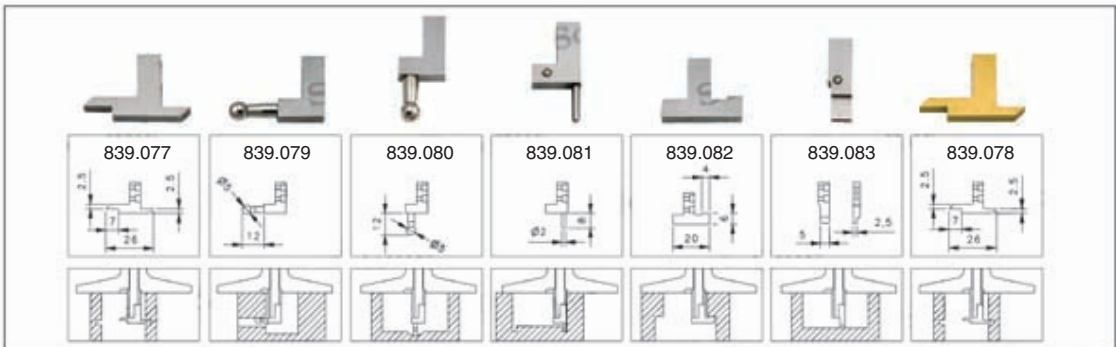
Removable bridges

Item No.	Length/mm	Price EUR
839.074	400	372.00
839.075	500	429.00
839.076	600	556.00

Item No.	Measuring range/mm	Accuracy mm	Price EUR
839.069	0 - 300	± 0.03	692.00
839.070	0 - 400	± 0.03	798.00
839.071	0 - 500	± 0.03	939.00
839.072	0 - 600	± 0.03	1,040.00
839.073	0 - 800	± 0.04	1,515.00
Option:			
495.157	Spare battery		0.50

Inserts

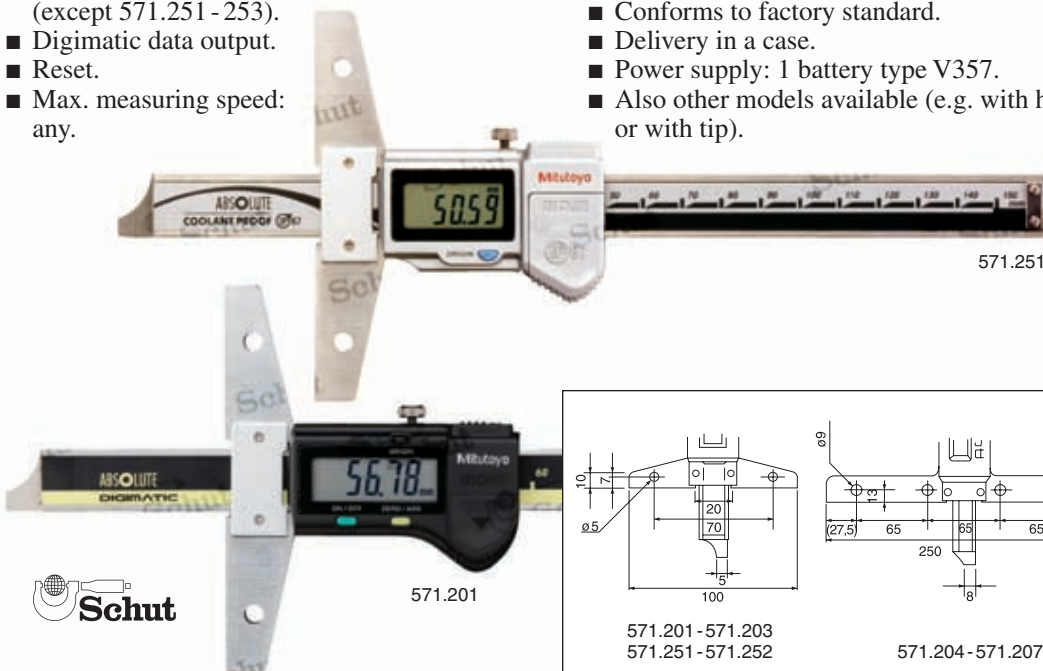
Item No.	Description	Price EUR
839.077	Insert	111.00
839.079	Insert	111.00
839.080	Insert	111.00
839.081	Insert	111.00
839.082	Insert	111.00
839.083	Insert	111.00
839.078	Insert	152.00



Mitutoyo Absolute Digimatic depth calipers

Mitutoyo depth calipers with the Absolute system. For use in workshop conditions, Mitutoyo has also developed *Coolant Proof* models with high protection degree (IP67); these are resistant to for example oil and coolants, and even last temporary immersion.

- Measuring range: 0- 1000 mm.
- Resolution: 0.01 mm.
- ABS/INC switchable (except 571.251 - 253).
- Digimatic data output.
- Reset.
- Max. measuring speed: any.
- Beam: 16 x 3.5 mm.
- Protection: IP67 (only *Coolant Proof* models).
- Conforms to factory standard.
- Delivery in a case.
- Power supply: 1 battery type V357.
- Also other models available (e.g. with hook or with tip).



Data cables Digimatic, USB Input Tool Direct, U-WAVE available on request.

Item No.	Measuring range/mm	Base length/mm	Accuracy/mm	Price EUR
571.201	0- 150	100	±0.02	318.00
571.202	0- 200	100	±0.02	378.00
571.203	0- 300	100	±0.03	420.00
571.204	0- 450	250	±0.05	735.00
571.205	0- 600	250	±0.05	851.00
571.206	0- 750	250	±0.06	924.00
571.207	0- 1000	250	±0.07	1,019.00
Protection IP67 (Coolant Proof):				
571.251	0- 150	100	±0.02	370.00
571.252	0- 200	100	±0.02	429.00
571.253	0- 300	100	±0.03	478.00
Options:				
836.535	Spare battery			1.60
900.370	Removable bridge, length 180 mm (for depth calipers up to 300 mm)			53.00
900.371	Removable bridge, length 260 mm (for depth calipers up to 300 mm)			74.00
900.372	Removable bridge, length 320 mm (for depth calipers up to 300 mm)			83.00

Digital depth gauge

- Measuring range: 0-21.5 mm.
- Resolution: 0.01 mm.
- mm/inch conversion.
- On/off switch.
- Reset.
- Measuring face: 45 x 6 mm.
- Measuring pin: 6 x 2 mm, taper to 4 x 2 mm.
- Power supply: 1 battery type V357.



Item No.	Measuring range/mm	Price EUR
907.861	0-21.5	29.20
Option:		
836.535	Spare battery	1.60

Depth gauge with dial

- Measuring range: 0-25 mm.
- Graduation: 0.1 mm.
- Measuring face: 60 x 25 mm.
- Measuring pin: \varnothing 3 mm.



Item No.	Measuring range/mm	Price EUR
853.110	0-25	69.00

Depth calipers for keyway depths

- Measuring range: keyway depths 0-60 mm.
- Application range: cylinders \varnothing 5-200 mm.
- Vernier: 0.05 mm.
- Stainless steel construction.



Item No.	Application range/mm	Price EUR
907.192	\varnothing 5- 80	83.00
907.193	\varnothing 6-120	108.00
907.194	\varnothing 7-160	155.00
907.195	\varnothing 8-200	127.00

Käfer depth dial indicators

- Measuring range: 0-30 mm.
- Graduation: 0.01 mm.
- Measuring pin shaft: \varnothing 2 mm.
- Measuring depth with pin 852.385: 200 mm.
- Excl. measuring pin and measuring base.
- Accuracy according DIN 878 (852.383) or factory standard (852.384).



Item No.	Measuring range/mm	Price EUR
852.383	0-10	119.00
852.384	0-30	210.00
Options:		
852.385	Measuring pin \varnothing 2 mm	8.20
907.153	Meas. base 63 x 17 mm	15.40
907.165	Meas. base 101.5 x 17 mm*	16.20

* Larger sizes available on request.