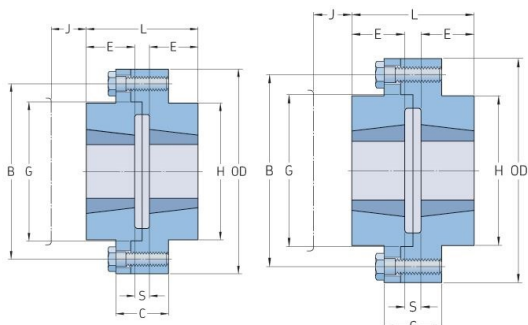


# PHE R12FTB



Size	R12
Bushing no.	1210
Max. bore (mm)	32
D (mm)	118
C (mm)	35
E (mm)	25
H (mm)	83
G Nominal (mm)	76
B Nominal (mm)	102
S+ (mm)	7
J* (mm)	38
L (mm)	57
Weight (kg)	3.5