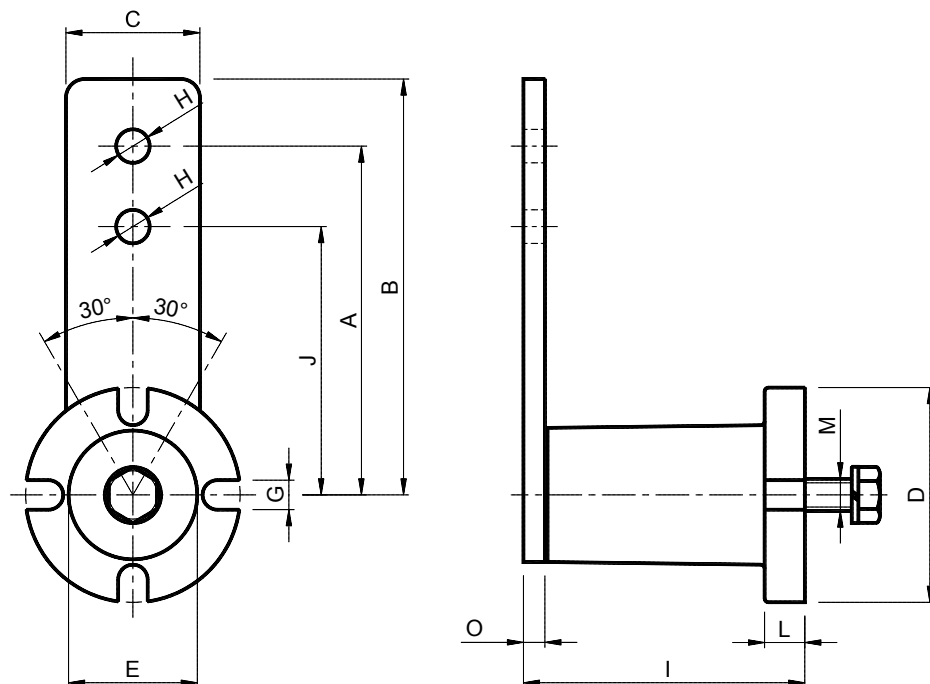


Elementi tenditori – Tipo: RE / Tighteners elements – Type: RE / Spannelemente – Typ: RE


- I** Angolo di rotazione $\pm 30^\circ$
Temperatura di lavoro da -40°C a $+80^\circ\text{C}$
- GB** Rotation angle $\pm 30^\circ$
Operating temperature from -40°C to $+80^\circ\text{C}$
- D** Drehwinkel $\pm 30^\circ$
Arbeitstemperatur von -40°C zu $+80^\circ\text{C}$

Tipo Type Typ	Cod. N°	A	B	C	\varnothing D	\varnothing E	G	\varnothing H	I	J	L	M	O	Newton 0°- 30° Braccio A Arm A	Newton 0°-30° Braccio J Arm J	Peso Weight Gewicht in Kg
RE 10	RE010010	80	90	25	40	20	7	8,5	50.5 $+1,5$ $-0,5$	60	6	M 6	5	0+ 85	0+ 113	0,28
RE 20	RE010020	100	112,5	30	50	30	9	10,5	62.5 $+1,5$ $-0,5$	80	8	M 8	5	0+ 136	0+ 170	0,48
RE 30	RE010030	100	115	35	60	35	9	10,5	77 $+1,5$ $-0,5$	80	10	M 10	6	0+ 340	0+ 425	0,73
RE 40	RE010040	130	155	50	80	48	11	12,5	106 $+2,0$ $-0,5$	100	15	M 12	8	0+ 790	0+1027	2,00
RE 50	RE010050	175	205	65	100	62	13	20,5	140 $+2,0$ $-1,0$	140	15	M 16	10	0+1600	0+2000	4,20
RE 60	RE010060	225	260	80	120	80	13	20,5	199 $+2,5$ $-1,5$	180	18	M 20	12	0+2550	0+3190	7,00
RE 70	RE010070	250	290	90	130	78	17	20,5	209 $+2,5$ $-1,5$	200	20	M 24	20	0+3950	0+4950	9,60

Disponibili anche in: acciaio inox – zincati – nichelati – plastica.

Available also in: stainless steel – galvanized – nickel plated – plastic.

Auch verfügbar in: inox – verzinkt – nickel – kunststoff.

