

NF

TYPE

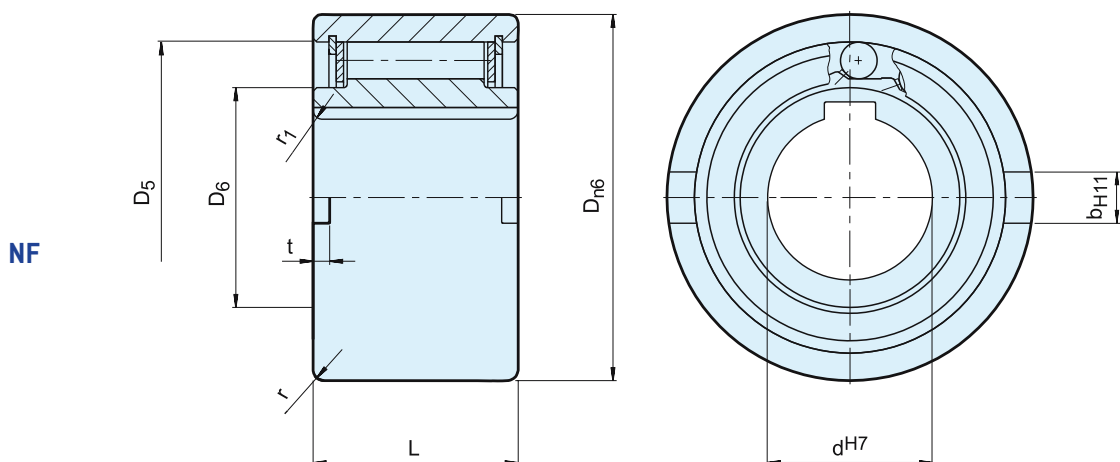


Type NF is a roller type freewheel non-bearing supported. Bearings are required to support axial and radial loads. Lubrication and sealing must also be provided by the installation.

Standard lubrication is oil. Nominal outside diameter is a standard ball bearing dimension. A typical arrangement is to install this type alongside a bearing with the same housing tolerances, as shown on the following page. The

inner race is keyed to the shaft. The outer race has a positive $n6$ tolerance to give a press fit in a H7 housing. Additional side notches provide for positive torque transmission.

If the housing tolerance is to K6, use of the notches is not necessary, but the housing must be strong enough to not expand after assembly.



Type	Size	Overrunning speeds											Weight [kg]
		$T_{KN}^{1)}$ [Nm]	$n_{imax}^{2)}$ [min ⁻¹]	$n_{amax}^{3)}$ [min ⁻¹]	D_{n6} [mm]	D_5 [mm]	D_6 [mm]	L [mm]	t [mm]	b^{H11} [mm]	r [mm]	r_1 [mm]	
NF	8	20	5000	6000	37	30	20	20	3	6	1.0	1.5	0.1
	12	20	5000	6000	37	30	20	20	3	6	1.0	1.5	0.1
	15	78	4500	5400	47	37	26	30	3.5	7	1.5	1.5	0.3
	20	188	3000	3600	62	52	37	36	3.5	8	2.0	2.0	0.6
	25	250	2200	2600	80	68	49	40	4	9	2.5	2.0	1.1
	30	500	1800	2100	90	75	52.5	48	5	12	2.5	2.0	1.6
	35	663	1600	1950	100	80	58	53	6	13	2.5	2.5	2.3
	40	1100	1250	1700	110	90	62	63	7	15	3.0	2.5	3.1
	45	1500	1100	1500	120	95	69	63	7	16	3.0	2.5	3.7
	50	2375	850	1300	130	110	82	80	8.5	17	3.5	3.0	5.4
	55	2500	800	1200	140	115	83	80	9	18	3.5	3.0	6.1
	60	4250	700	1100	150	125	93.5	95	9	18	3.5	3.5	8.5
	70	5875	620	900	170	140	106	110	9	20	3.5	3.5	13.0
	80	10000	550	800	190	160	122	125	9	20	4.0	3.5	18.0
	90	17250	480	700	215	180	133	140	11.5	24	4.0	4.0	25.3
	100	19625	400	600	260	210	157	150	14.5	28	4.0	4.0	42.1
	130	34750	300	480	300	240	188	180	17	32	5.0	5.0	65.0
150	44375	250	400	320	260	205	180	17	32	5.0	5.0	95.0	

NOTES

1) $T_{max} = 2 \times T_{KN}$
 » Refer to Selection page 10 to 13

2) Inner race overruns

3) Outer race overruns

Keyway to DIN 6885.1

» Refer to mounting and maintenance instructions
 page 16 to 19

MOUNTING EXAMPLE

