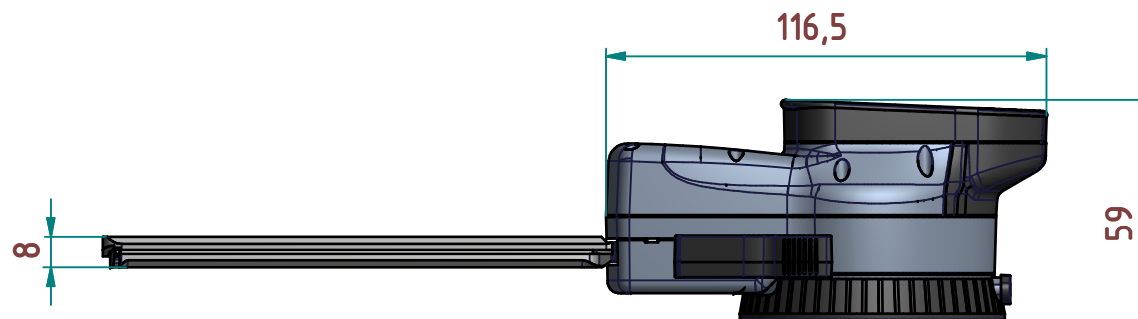
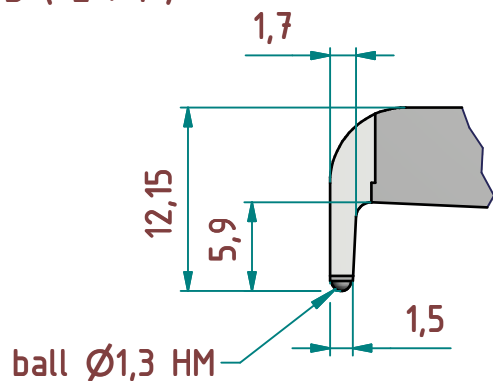


B (2 : 1)



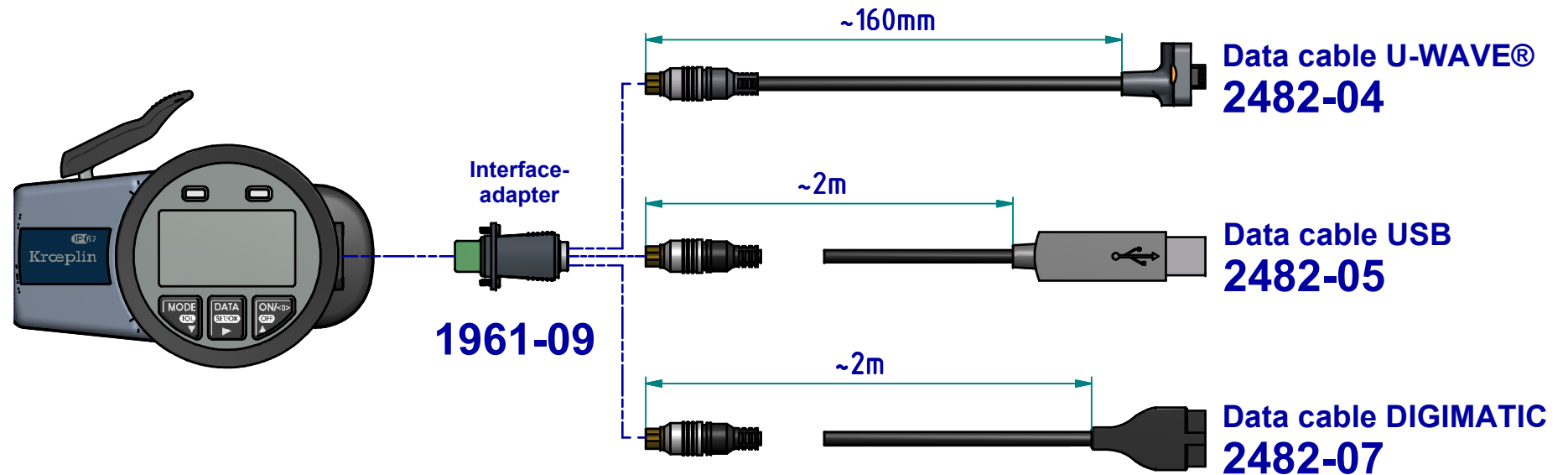
subject to technical alterations

type: E200
range: 13 - 43 mm
range of indication: 12,8 - 43,5 mm
digital step: 0,02 mm
scale interval:
measuring force: 1,2 - 1,7 N
weight: 360 g

acceptable deviations
VDI/VDE/DGQ 2618 Bl. 12.1/13.1)
max. permissible
errors "G": 0,04 mm
repeatability "r": 0,02 mm
reference temperature: 20° C
operation temperature: 10° C - 30° C
storage temperature: -10° C - 50° C

scale: 1 : 2
drawing-nr.: DAB-G313_KR_en
date of issue: 10.04.2013
name: Lange
revision status: 001
revision date: 13.05.2013

interface as accessories available:



subject to technical alterations

drawing-nr.: DAB-G313_KR_en
date of issue: 10.04.2013
name: Lange

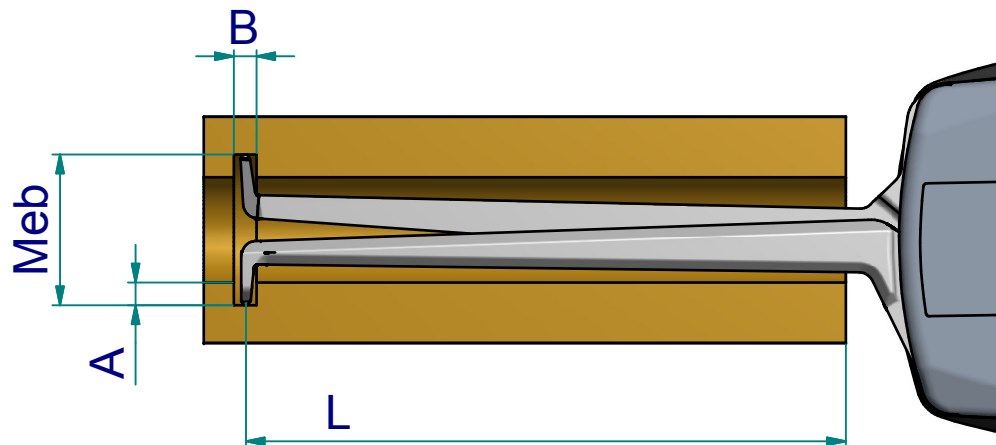
revision status:
revision date:

measuring capacity

		measuring range M_{eb} [mm]												
		13	15	17	19	21	23	25	28	31	34	37	40	43
groove depth A [mm]	0	0 / 125	0 / 125	0 / 126	0 / 126	0 / 127	0 / 127	0 / 127	0 / 127	0 / 127	0 / 127	0 / 127	0 / 127	0 / 127
	1		1,8 / 106	1,8 / 112	1,8 / 121	1,8 / 126	1,8 / 127	1,8 / 127	1,8 / 127	1,8 / 127	1,8 / 127	1,8 / 127	1,8 / 127	1,8 / 127
	2			1,9 / 88	1,9 / 96	1,9 / 107	1,9 / 124	1,9 / 126	1,9 / 127	1,9 / 127	1,9 / 127	1,9 / 127	1,9 / 127	1,9 / 127
	3				1,9 / 68	1,9 / 77	1,9 / 89	1,9 / 107	1,9 / 126	2,0 / 127	2,0 / 127	2,0 / 127	2,0 / 127	2,0 / 127
	4					2,0 / 46	2,0 / 54	2,0 / 65	2,0 / 98	2,0 / 126	2,0 / 127	2,0 / 127	2,1 / 127	2,1 / 127
	5						2,0 / 20	2,1 / 24	2,1 / 36	2,1 / 78	2,1 / 126	2,1 / 127	2,2 / 127	2,2 / 127
		B / L												

B = minimum groove width [mm]
L = maximum usable arm length [mm]

Example: $M_{eb} = 19$ B = 1,9
 A = 2 L = 96



subject to technical alterations

drawing-nr.: DAB-G313_KR_en
date of issue: 03.07.2013
name: Lange

revision status:
revision date: