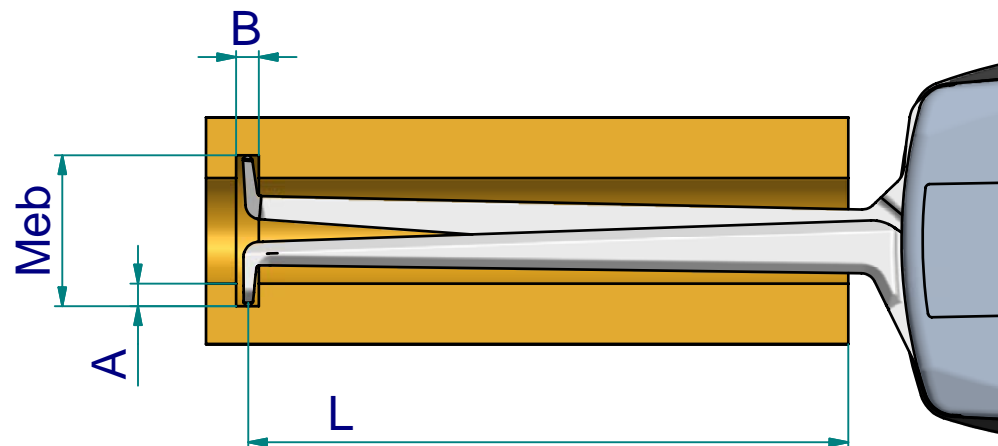


subject to technical alterations

type: G
range: 30 - 50 mm
range of indication: 29,5 - 50,5 mm
digital step: 0,01 mm
scale interval: -
measuring force: 1,1 - 1,6 N
weight: 255 g

acceptable deviations
VDI/VDE/DGQ 2618 Bl. 12.1/13.1)
max. permissible
errors "G": 0,03 mm
repeatability "r": 0,01 mm
reference temperature: 20° C
operation temperature: 10° C - 30° C
storage temperature: -10° C - 50° C

scale: 1:1
drawing-nr.: DAB-G230_KR_e
date of issue: 08.01.09
name: M. Balzer
revision status:
revision date:



measuring capacity

		measuring range Meb [mm]								
		30	32	34	36	38	40	42	45	50
groove depth A [mm]	0	0 / 74,0	0 / 83,2	0 / 84,6	0 / 85,7	0 / 86,5	0 / 86,8	0 / 87,0	0 / 87,3	0 / 87,8
	1		1,5 / 81,4	1,5 / 83,9	1,5 / 85,0	1,5 / 86,1	1,5 / 86,7	1,5 / 86,8	1,5 / 87,1	1,5 / 87,5
	2			1,6 / 82,8	1,6 / 84,3	1,6 / 85,4	1,6 / 86,3	1,6 / 86,7	1,6 / 86,9	1,6 / 87,2
	3				1,7 / 83,6	1,7 / 84,7	1,7 / 85,7	1,7 / 86,5	1,7 / 86,7	1,7 / 87,0
	4					1,9 / 84,0	1,9 / 85,0	1,9 / 86,0	1,9 / 86,5	1,9 / 86,8
	5						2,0 / 84,3	2,0 / 85,2	2,0 / 86,4	2,0 / 86,5
	6							2,1 / 84,5	2,1 / 85,9	2,1 / 86,4
	6,5								2,2 / 85,5	2,2 / 86,3
		B / L								

subject to technical alterations

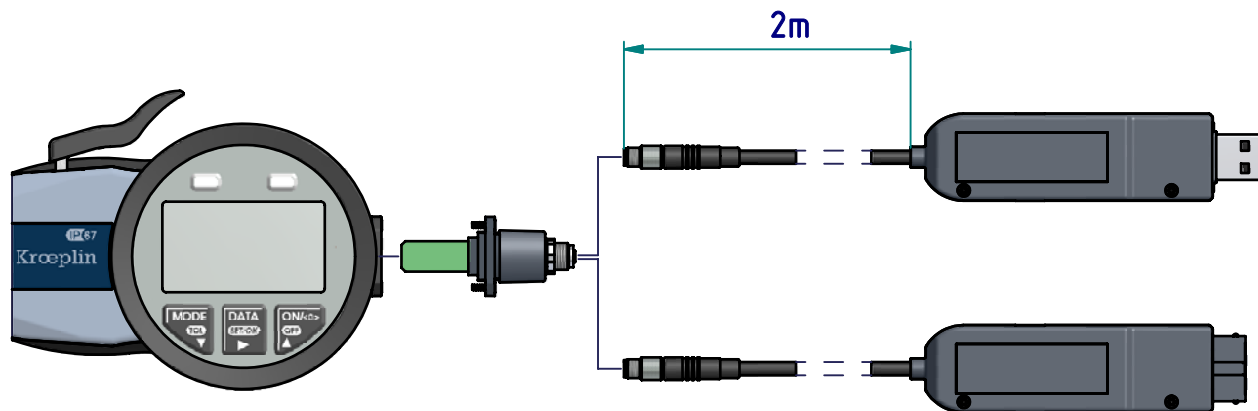
drawing-nr.: DAB-G230_KR_e
date of issue: 08.01.09
name: M. Balzer

revision status:
revision date:

B = minimum groove width [mm]
L = maximum usable arm length [mm]

Example: Meb = 36 B = 1,6
 A = 2 L = 84,3

interface as accessories available:



order number: **1962-11**
Interface USB

order number: **1962-10**
Interface Mitutoyo - Digimatic

subject to technical alterations

drawing-nr.: DAB-G230_KR_e
date of issue: 08.01.09
name: M. Balzer

revision status:
revision date: