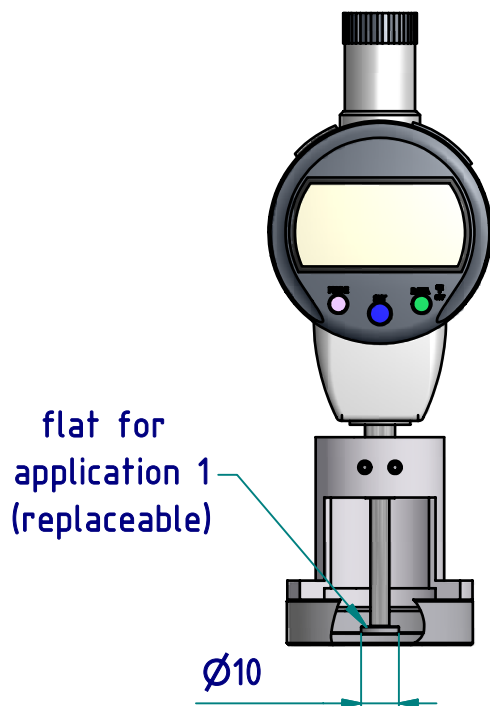
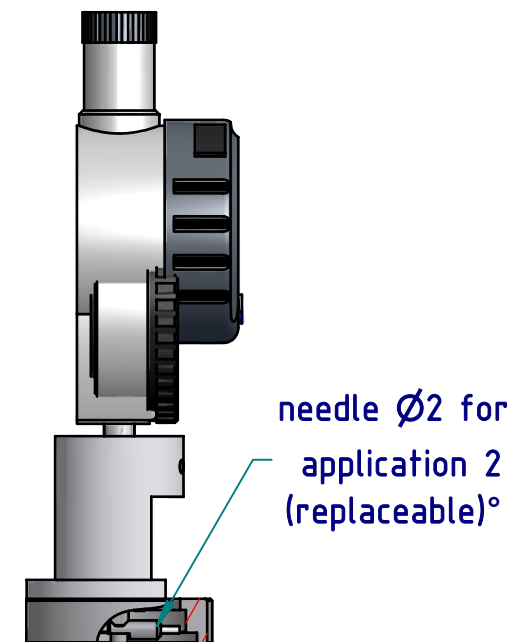
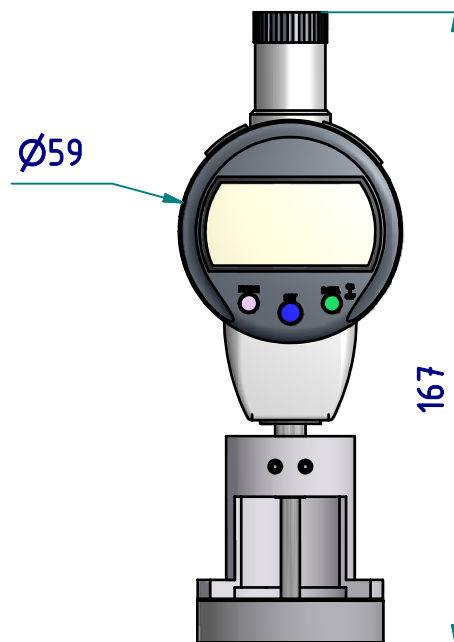


Application 1
measurement the
height H_{stem}



application 2
measurement the
cap exchange height H_2



subject to technical alterations

type: aerosol
range: 0 - 30 mm
range of indication:
digital step: 0,01 mm
scale interval:
measuring force: $0,6 \pm 01$ N
weight: ca. 600 g

acceptable deviations
VDI/VDE/DGQ 2618 Bl. 12.1/13.1)
max. permissible
errors "G": 0,03 mm
repeatability "r": 0,02 mm
reference temperature: 20° C
operation temperature: 10° C - 30° C
storage temperature: -10° C - 50° C

scale: 1:2
drawing-nr.: IDW-AE2215-DB_e
date of issue: 13.12.2010
name: Buchholz

revision status:
revision date:

4

3

2

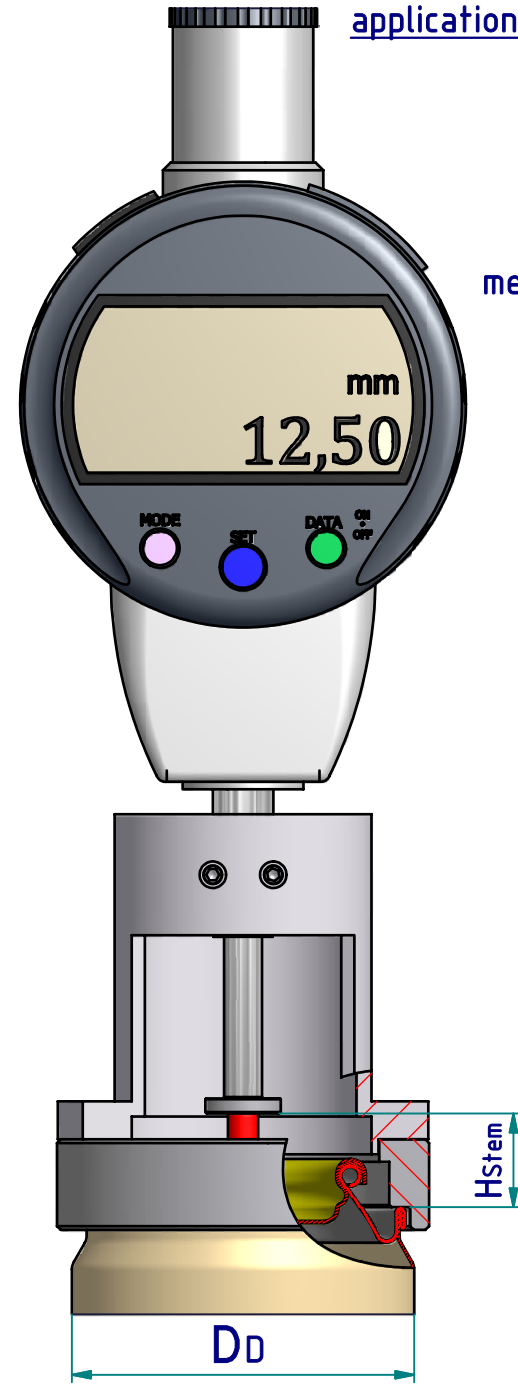
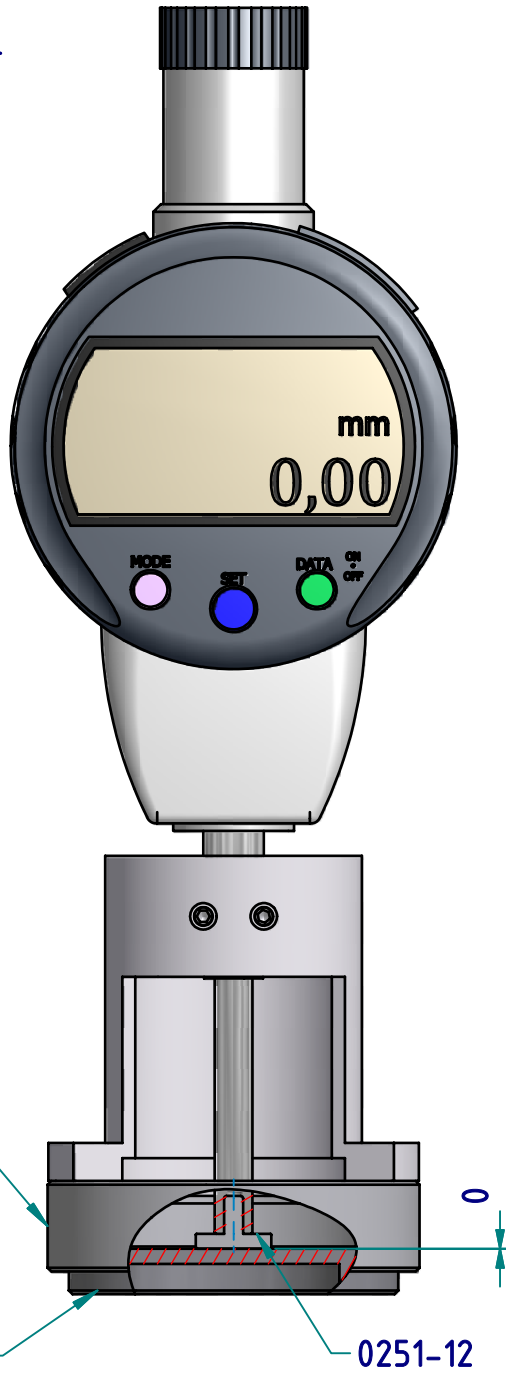
1

AE2215 - AE2219

application 1 - height Hstem

calibration

measurement



D

C

B

A

4

3

2

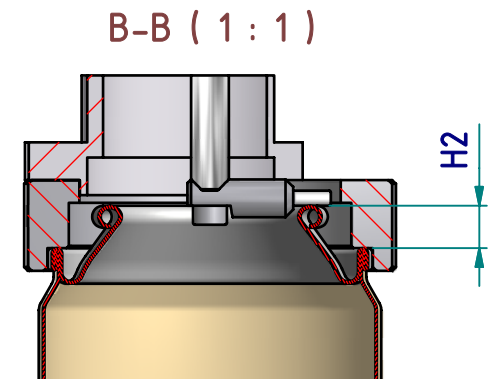
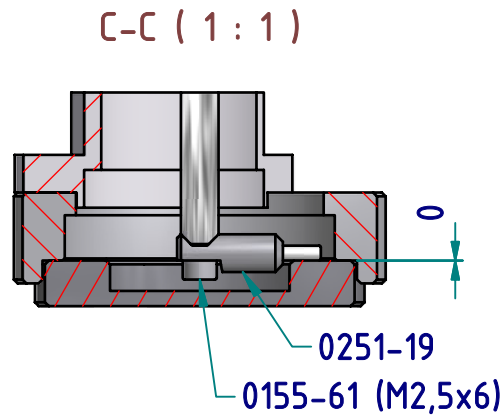
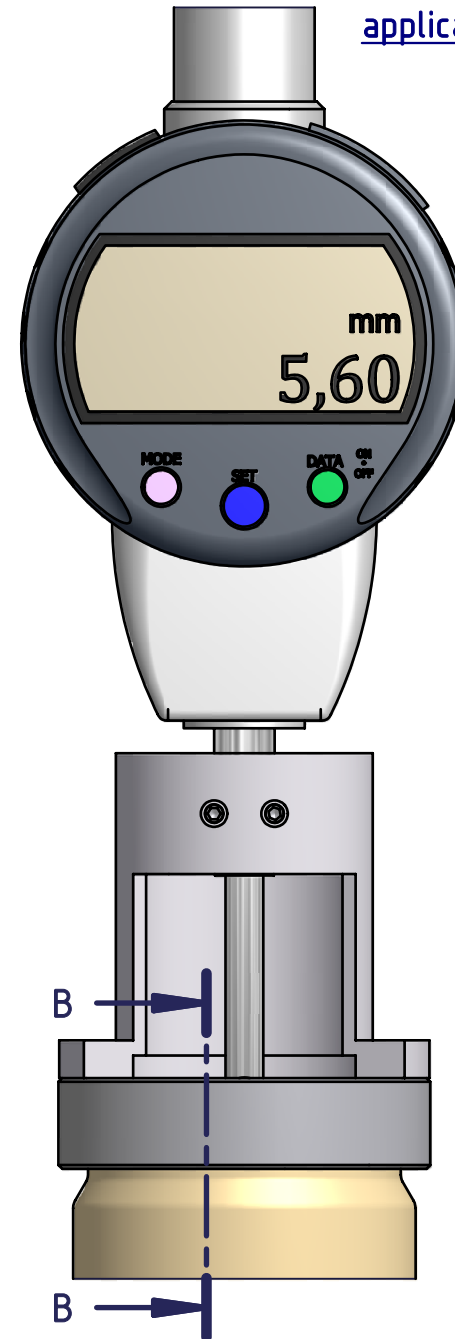
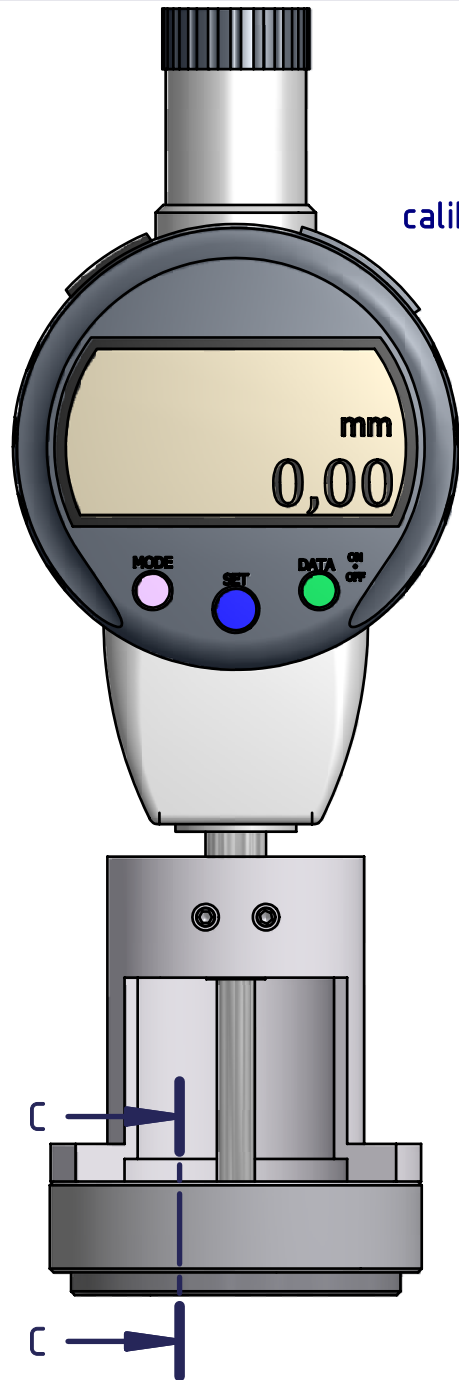
1

AE2215 - AE2219

application 2 - distance from can curl to top of can H2

calibration

measurement



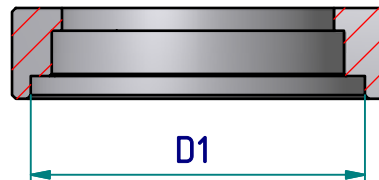
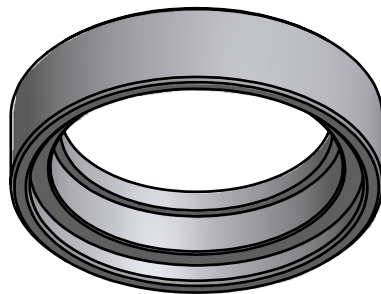
AE2215 - AE2219

The instruments are differentiated through the different dimensions of the bearing ring (1) and of the adjusting ring (2).

chart of types

Instrument Order-No.	can-diameter D D	diameter D1	(1) bearing ring Order-No.	(2) adjust ring Order-No.
AE 2215	45 mm	44,2 mm	0840-45	0840-55
AE 2216	49 mm	48,4 mm	0840-49	0840-59
AE 2217	52 mm	51,3 mm	0840-52	0840-62
AE 2218	57 mm	56,0 mm	0840-57	0840-67
AE 2219	65 mm	63,8 mm	0840-65	0840-75

(1) bearing ring



(2) adjust gauge

