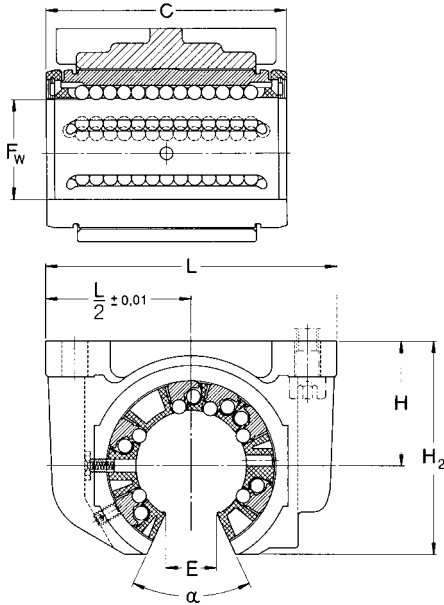


## 2 Guiding systems

Shaft guidings – standard series, open types

### LUCF ..

Single units, self-aligning, clearance adjustable, open type, relubricatable  
LUCF (without seals)  
-2LS with two seals

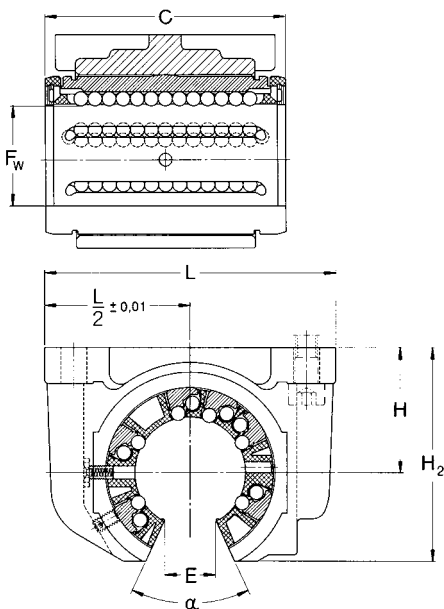


Designations	Dimensions							Basic load ratings		
	F <sub>w</sub>	C	H ±0,01	H <sub>2</sub>	L	E	α	C	C <sub>0</sub>	
	mm							deg.	N	
LUCF 12	12	32	18	28	52	7,6	78	1 080	815	
LUCF 16	16	36	22	35	56	10,4	78	1 320	865	
LUCF 20	20	45	25	42	70	10,8	60	2 000	1 370	
LUCF 25	25	58	30	51	80	13,2	60	2 900	2 040	
LUCF 30	30	68	35	60	88	14,2	50	4 650	3 250	
LUCF 40	40	80	45	77	108	18,7	50	7 800	5 200	
LUCF 50	50	100	50	88	135	23,6	50	11 200	6 950	

**Example:**  
LUCF 16  
LUCF 30-2LS

### LUCT ..

Single units, clearance adjustable, open type, relubricatable  
LUCT (without seals)  
-2LS with two seals



Designations	Dimensions							Basic load ratings		
	F <sub>w</sub>	C	H ±0,01	H <sub>2</sub>	L	E	α	C	C <sub>0</sub>	
	mm							deg.	N	
LUCT 12	12	32	18	28	52	7,6	78	1 160	980	
LUCT 16	16	36	22	35	56	10,4	78	1 500	1 290	
LUCT 20	20	45	25	42	70	10,8	60	2 240	2 040	
LUCT 25	25	58	30	51	80	13,2	60	3 350	3 350	
LUCT 30	30	68	35	60	88	14,2	50	5 600	5 700	
LUCT 40	40	80	45	77	108	18,7	50	9 000	8 150	
LUCT 50	50	100	50	88	135	23,6	50	13 400	12 220	
LUCT 60	60	125	60	105	160	29,6	54	20 400	18 000	
LUCT 80	80	165	80	140	205	38,4	54	37 500	32 000	

**Example:**  
LUCT 60  
LUCT 80-2LS