

Universal digital calipers with dial indicator (continued)

Item No.	Measuring range/mm internal external	Accuracy mm	Jaw length mm	Holder bar length/mm	
837.816	20-200	0-138	±0.02	60	8
837.817	24-300	0-230	±0.02	80	10
837.845	24-500	0-430	±0.03	80	10

Options:

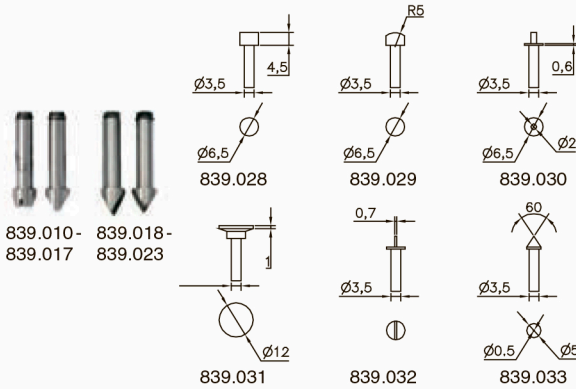
495.157 Spare battery

781.887 Opto-RS232C cable 9p (2 m)

Universal digital calipers accessories

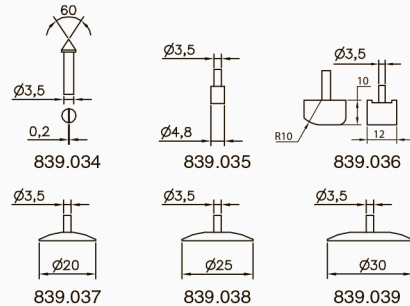
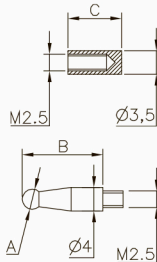
Inserts for thread measurements, per pair

Pitch mm	Item No.	Item No.
	Internal meas.:	External meas.:
0.4-0.5	839.010	839.018
0.6-0.9	839.011	839.019
1 -1.75	839.014	839.020
2 -3	839.015	839.021
3.5-5	839.016	839.022
5.5-7	839.017	839.023



Insert holders (M2.5), per piece

Item No.	Length C/mm
837.832	8
837.833	10
839.054	12
839.055	20
839.056	50



Inserts (M2.5), per pair

Diameter A/mm	Length B/mm	Item No.	Item No.
		Steel:	Tungsten carbide:
1.5	12	837.818	839.040
2	12	837.819	839.041
2.5	12	837.820	839.042
3	12	837.821	839.043
3.5	12	837.822	839.044
4	12	837.823	839.045
4.5	12	837.824	839.046
5	12	837.825	839.047
5.5	12	837.826	839.048
6	12	837.827	839.049
6.5	12	837.828	839.050
7	18	837.829	839.051
8	18	837.830	839.052
10	18	837.831	839.053

Various inserts, per piece

Item No.	Description
839.028	Cylindrical
839.029	Spherical
839.030	Double diameter
839.031	Disc
839.032	Flat
839.033	Conical 60°
839.034	Knife-edged 60°
839.035	Cylindrical
839.036	Flat
839.037	Disc
839.038	Disc
839.039	Disc