

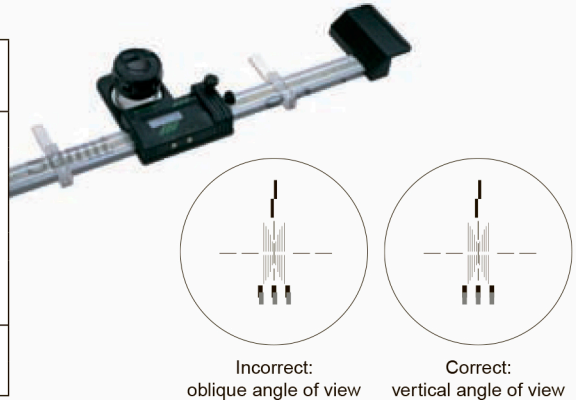
Electronic scales with magnifier

This electronic scale with magnifier makes accurate and reliable measuring of flat products easier (e.g. printed material and metal sheets).

- Measuring range: 0 - 1500 mm.
- Resolution: 0.01 mm.
- Repeatability: 0.01 mm.
- mm/inch conversion.
- RS232C data output.
- Reset.
- Fine adjustment.
- Hardened stainless steel construction.
- Magnifier: 10x magnification, crosshair scale with parallax control system (25x or 50x magnification available on request).
- Delivery in a case.
- Power supply: 1 battery type CR2032.

Item No.	Measuring range/mm	Accuracy mm
903.500	0- 180	±0.03
903.501	0- 300	±0.03
903.502	0- 500	±0.03
903.503	0- 800	±0.05
903.504	0-1000	±0.05
903.505	0-1300	±0.1
903.506	0-1500	±0.15

Option:
495.157 Spare battery



Electronic carbon scales with magnifier

- Measuring range: 0 - 1450 mm.
- Resolution: 0.01 mm.
- Intake magnifier: $\varnothing 41$ mm.
- mm/inch conversion.
- Opto-RS232C data output.
- Reset/preset.
- Excl. magnifier (905.180); see “magnifiers” elsewhere in this catalog.
- Delivery in a case with an inspection report.
- Power supply: 1 battery type CR2032.



Item No.	Measuring range/mm	Accuracy mm	Length mm/A	Weight kg
838.715	0- 450	±0.03	720	1
838.716	0- 750	±0.03	1020	1.9
838.717	0-1150	±0.05	1420	3
838.718	0-1450	±0.06	1720	3.7

Options:
495.157 Spare battery
905.180 Magnifier with standard scale 905.181
Crosshair scale: horizontal 0.1 mm graduation (15 mm-0-15 mm)
996.664 Holder for Dino-Lite USB measuring microscopes¹



¹ See also “Dino-Lite USB video measuring microscopes” elsewhere in this catalog. For Dino-Lite Edge models with normal working distance; magnification approx. 30x.