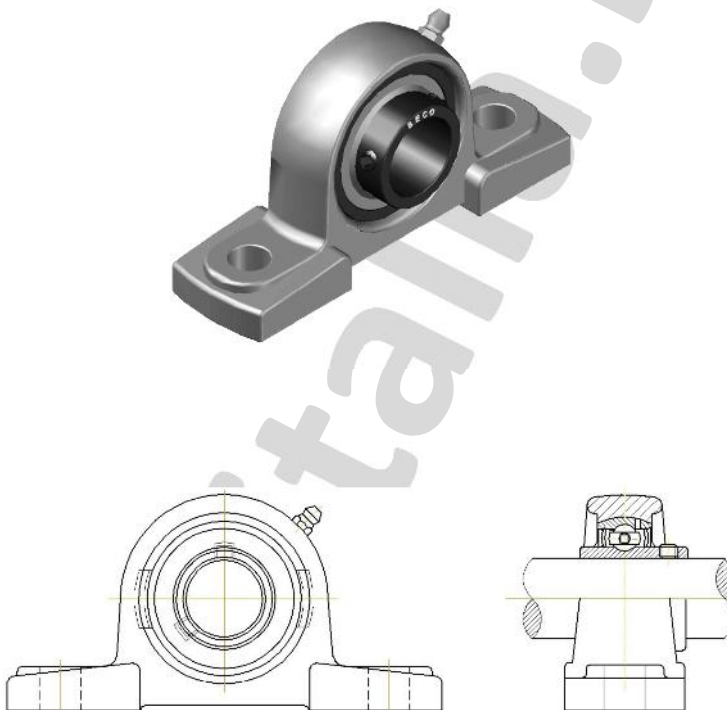
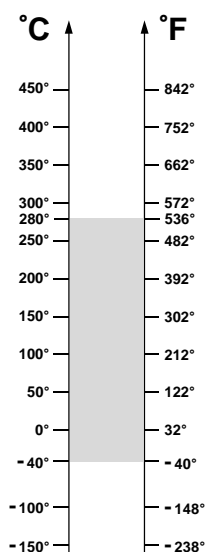


BHTS ZZ 280° (UCP Serie)

Pillow Block for Extreme Temperature



* Dimensions available at PILLOW BLOCK HOUSINGS Pages

OPERATING RANGE: -40° / 280°C

ECONOMIC OPERATING RANGE: 200° / 280°C

Unit code	Bearing code	Housing code
UCP 201 BHTS ZZ 280°	UC 201 BHTS ZZ 280°	P 204 SS
UCP 202 BHTS ZZ 280°	UC 202 BHTS ZZ 280°	P 204 SS
UCP 203 BHTS ZZ 280°	UC 203 BHTS ZZ 280°	P 204 SS
UCP 204 BHTS ZZ 280°	UC 204 BHTS ZZ 280°	P 204 SS
UCP 205 BHTS ZZ 280°	UC 205 BHTS ZZ 280°	P 205 SS
UCP 206 BHTS ZZ 280°	UC 206 BHTS ZZ 280°	P 206 SS
UCP 207 BHTS ZZ 280°	UC 207 BHTS ZZ 280°	P 207 SS
UCP 208 BHTS ZZ 280°	UC 208 BHTS ZZ 280°	P 208 SS
UCP 209 BHTS ZZ 280°	UC 209 BHTS ZZ 280°	P 209 SS
UCP 210 BHTS ZZ 280°	UC 210 BHTS ZZ 280°	P 210 SS
UCP 211 BHTS ZZ 280°	UC 211 BHTS ZZ 280°	P 211 SS
UCP 212 BHTS ZZ 280°	UC 212 BHTS ZZ 280°	P 212 SS
UCP 213 BHTS ZZ 280°	UC 213 BHTS ZZ 280°	P 213 SS
UCP 214 BHTS ZZ 280°	UC 214 BHTS ZZ 280°	P 214 SS
UCP 215 BHTS ZZ 280°	UC 215 BHTS ZZ 280°	P 215 SS

OPERATING RANGE is the correct technical range in which can be used the bearing with good operating result.

ECONOMIC OPERATING RANGE is the range of temperature in which you can find, according to our study experience and know-how, the better relation price - quality life-time.