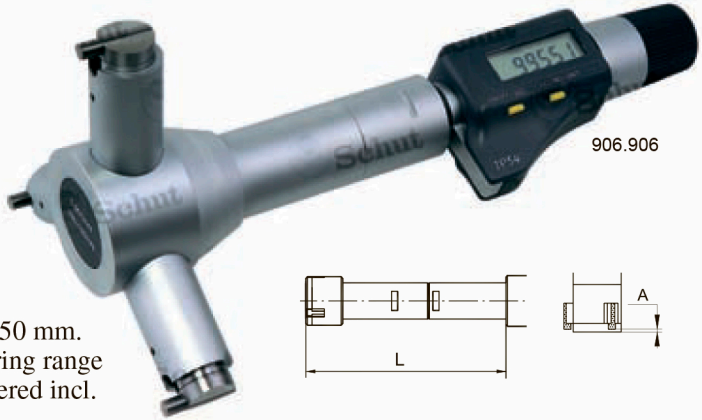


Digital three-point internal micrometers up to 1000 mm

Digital three-point internal micrometers with a large measuring range, for measuring internal dimensions like (blind) bores.

- Measuring range: ϕ 50 - 1000 mm.
- Resolution: 0.001 mm.
- mm/inch conversion.
- ABS/INC switchable.
- On/off switch.
- Automatic switch-off.
- Reset/preset.
- Self-centering.
- Tungsten carbide measuring faces.
- Protection: IP54.
- Delivery in a case, incl. extension 150 mm.
- Separate instruments within measuring range ϕ 50 - 100 mm and the sets are delivered incl. setting ring(s).
- Power supply: 1 battery type V357.



906.906

Item No.	Measuring range/mm	Setting ring ϕ /mm	Accuracy mm	Length L/mm	Length A/mm
906.904	ϕ 50 - 70	50	± 0.004	107	0.5
906.905	ϕ 70 - 100	70	± 0.004	107	0.5
906.906	ϕ 100 - 150	–	± 0.005	107	0.5
906.907	ϕ 150 - 250	–	± 0.007	107	0.5
906.908	ϕ 200 - 300	–	± 0.007	107	0.5

Item No.	Measuring range/mm	Setting ring ϕ /mm	Number of instruments
906.909	ϕ 50 - 100	70	2
906.910	ϕ 100 - 250	150	2

Option

Item No.	Description
836.535	Spare battery

With interchangeable measuring bolts

The measuring range is extra large because of the interchangeable measuring bolts. The high accuracy of the measuring bolts enables exchanging without recalibrating the read-out.

- Max. measuring depth:
907.787: 750 mm,
907.788: 1750 mm.
- Accuracy:
 $\pm (1 + 0.02L) \mu\text{m}$ (L in mm).
- Delivery in a case, incl. extensions and setting ring.



907.787

Item No.	Measuring range/mm	Setting ring ϕ /mm	Length L/mm	Length A/mm	Extensions mm
907.787	ϕ 200 - 500	200	105	0.5	150, 500
907.788	ϕ 200 - 1000	200	105	0.5	150, 500, 1000