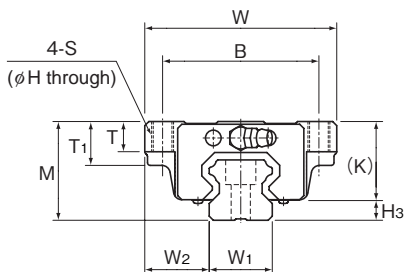


Model HSR-C Grade Ct



Model No.	Outer dimensions			LM block dimensions											Grease nipple	H _s
	Height	Width	Length	B	C	S	H	L ₁	T	T ₁	K	N	E			
	M	W	L	B	C	S	H	L ₁	T	T ₁	K	N	E		H _s	
HSR 15C (Ct)	24	47	56.6	38	30	M5	4.4	38.8	7	11	19.3	4.3	5.5	PB1021B	3.5	
HSR 20C (Ct)	30	63	74	53	40	M6	5.4	50.8	10	9.5	26	5	12	B-M6F	4	
HSR 25C (Ct)	36	70	83.1	57	45	M8	6.8	59.5	11	16	30.5	6	12	B-M6F	5.5	
HSR 30C (Ct)	42	90	98	72	52	M10	8.5	70.4	9	18	35	7	12	B-M6F	7	
HSR 35C (Ct)	48	100	109.4	82	62	M10	8.5	80.4	12	21	40.5	8	12	B-M6F	7.5	

Model number coding

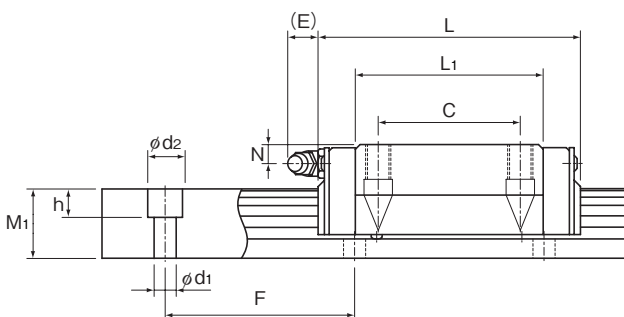
Block: HSR25 C 1 SS Ct BLOCK

Model number: HSR25
 Type of LM block: C
 This variant: 1
 Contamination protection accessory symbol (*1)
 Accuracy symbol Indicates Ct Class: SS
 Block symbol: BLOCK

Rail: HSR25 -3000L Ct7 RAIL

LM rail length (in mm): -3000L
 Accuracy symbol Ct 7 Class (Ct7) / Ct 5 Class (Ct5): Ct7
 Rail symbol: RAIL

(*1) See contamination protection accessory on A-368.



Unit: mm

LM rail dimensions						Basic load rating		Static permissible moment kN-m*					Mass	
Width	Height	Pitch		Length *	C	C ₀	M _A		M _B		M _C	LM block	LM rail	
W ₁ ±0.05	W ₂	M ₁	F	d ₁ × d ₂ × h	Max	kN	kN	1 block	Double blocks	1 block	Double blocks	1 block	kg	kg/m
15	16	15	60	4.5 × 7.5 × 5.3	3000	8.33	13.5	0.0805	0.457	0.085	0.457	0.0844	0.2	1.5
20	21.5	18	60	6 × 9.5 × 8.5	3000	13.8	23.8	0.19	1.04	0.19	1.04	0.201	0.35	2.3
23	23.5	22	60	7 × 11 × 9	3000	19.9	34.4	0.307	1.71	0.307	1.71	0.344	0.59	3.3
28	31	26	80	9 × 14 × 12	3000	28	46.8	0.524	2.7	0.524	2.7	0.562	1.1	4.8
34	33	29	80	9 × 14 × 12	3000	37.3	61.1	0.782	3.93	0.782	3.93	0.905	1.6	6.6

Note) The maximum length under "Length*" indicates the standard maximum length of an LM rail. (see B-82)
 Static permissible moment*: static permissible moment value with 1 LM block