

## Digital calipers with prismatic anvil

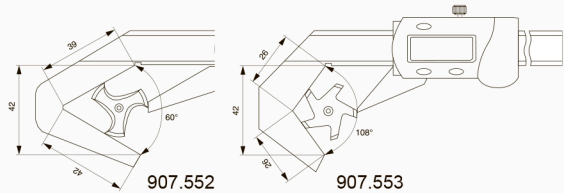
Digital calipers with prismatic anvil for measuring objects with an uneven number of grooves like cutters, reamers and drills. The angle of the prism aperture is designed for workpieces having a number of 3 or 5 flutes.

- Measuring range: 1 - 40 mm.
- Resolution: 0.01 mm.
- Accuracy:  $\pm 0.05$  mm.
- mm/inch conversion.
- On/off switch.
- Reset through SET switch.
- Max. measuring speed: 1.5 m/s.
- Including setting gauge  $\varnothing 4$  mm (907.552) or  $\varnothing 1$  mm (907.553).
- Power supply: 1 battery type V357.
- Also analog models available.



907.553

907.552



907.552

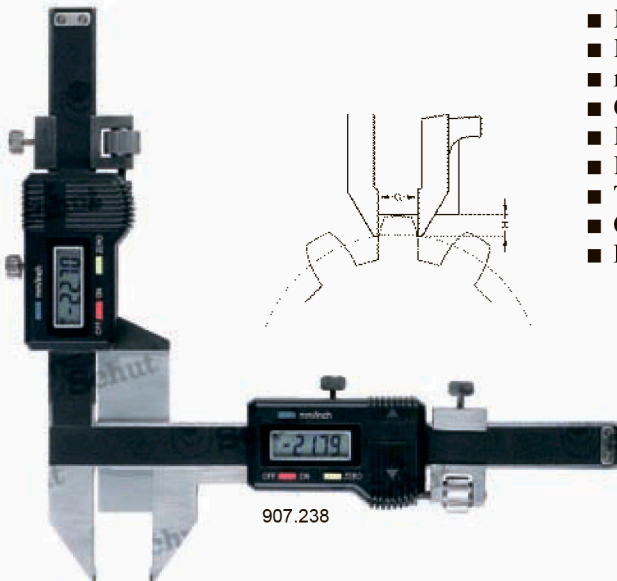
907.553

Item No.	For work-pieces with	Measuring range/mm
907.552	3 flutes	4 - 40
907.553	5 flutes	1 - 40

**Option:**  
836.535 Spare battery

## Digital gear tooth thickness calipers

The vertical slider sets the height (H) from the top of the tooth to the pitch line. Subsequently, the horizontal slider measures the tooth thickness (G) at the pitch line.



907.238

- Measuring range: module 1 - 50.
- Resolution: 0.01 mm.
- mm/inch conversion.
- On/off switch.
- Reset.
- Hardened stainless steel construction.
- Tungsten carbide measuring faces.
- Conforms to factory standard.
- Power supply: 2 batteries type V357.

Item No.	Module
907.238	1 - 30
907.239	5 - 50

**Option:**  
836.535 Spare battery (2 needed)