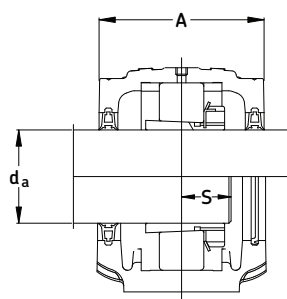
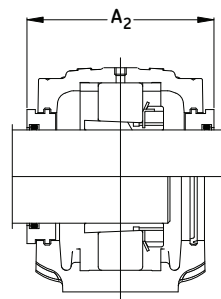


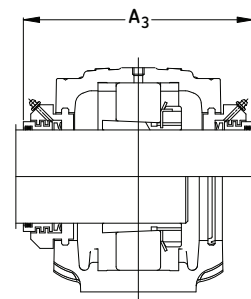
Series SNL 500 and SNL 600
Pillow blocks of cast iron for
bearing with adapter sleeve,
grease or oil lubrication
d_a 1 - 1 1/4 in (30 mm)



Double-lip seals
G & L design



Labyrinth seals
S design

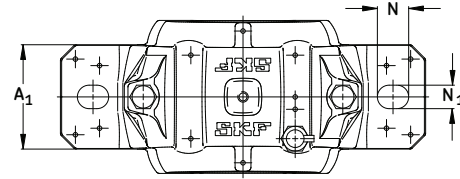
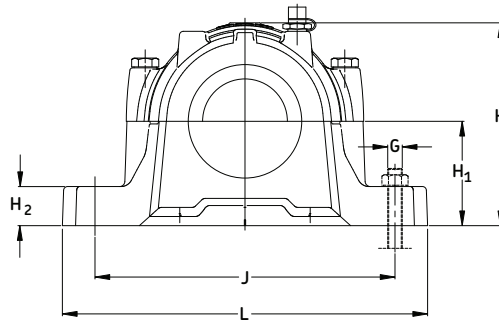


Taconite seals
ND design

Shaft Dia. d _a	Complete Pillow Block Assembly	Housing	Standard Seal Package	Bearing	Adapter Sleeve	Fixing Rings	Mass Complete Qty.	lb.	kg.	End Cover
mm in								lb.	kg.	
1	SNL 1506/1 TG	SNL 506-605	TSN 506G	1206 EK	HE 206	FRB 8/62	2	5.11	2.32	ASNH 506-605
	SNL 1606/1 TG	SNL 507-606	TSN 606G	1306 EK	HE 306	FRB 7.5/72	2	5.80	2.63	ASNH 507-606
	SNL 2506/1 TG	SNL 506-605	TSN 506G	2206 EK	HE 306	FRB 6/62	2	5.20	2.36	ASNH 506-605
	SNL 2606/1 TG	SNL 507-606	TSN 606G	2306 K	HE 2306	FRB 3.5/72	2	6.28	2.82	ASNH 507-606
	SNL 22506/1 TG	SNL 506-605	TSN 506G	22206 EK	HE 306	FRB 6/62	2	5.25	2.38	ASNH 506-605
	SNL C2506/1 TG	SNL 506-605	TSN 506G	C2206 K*	HE 306E	FRB 6/62	2	5.25	2.38	ASNH 506-605
30	SNL 1507/30 TL	SNL 507-606	TSN 507L	1207 EK	H 207	FRB 8.5/72	2	5.84	2.65	ASNH 507-606
	SNL 1607/30 TG	SNL 508-607	TSN 607G	1307 EK	H 307	FRB 9/80	2	7.80	3.54	ASNH 508-607
	SNL 2507/30 TL	SNL 507-606	TSN 507L	2207 EK	H 307	FRB 5.5/72	2	6.02	2.73	ASNH 507-606
	SNL 2607/30 TG	SNL 508-607	TSN 607G	2307 EK	H 2307	FRB 4/80	2	8.22	3.73	ASNH 507-606
	SNL 22507/30 TL	SNL 507-606	TSN 507L	22207 EK	H 307	FRB 5.5/72	2	6.06	2.75	ASNH 507-606
	SNL C2507/30 TL	SNL 507-606	TSN 507L	C2207 K*	H 307E	FRB 5.5/72	2	6.06	2.75	ASNH 507-606
1 3/16	SNL 1507/1 3/16 TG	SNL 507-606	TSN 507G	1207 EK	HA 207	FRB 8.5/72	2	5.84	2.65	ASNH 507-606
	SNL 1607/1 3/16 TG	SNL 508-607	TSN 607G	1307 EK	HA 307	FRB 9/80	2	7.80	3.54	ASNH 508-607
	SNL 2507/1 3/16 TG	SNL 507-606	TSN 507G	2207 EK	HA 307	FRB 5.5/72	2	6.02	2.73	ASNH 507-606
	SNL 2607/1 3/16 TG	SNL 508-607	TSN 607G	2307 EK	HA 2307	FRB 4/80	2	8.22	3.73	ASNH 507-606
	SNL 22507/1 3/16 TG	SNL 507-606	TSN 507G	22207 EK	HA 307	FRB 5.5/72	2	6.06	2.75	ASNH 507-606
	SNL C2507/1 3/16 TG	SNL 507-606	TSN 507G	C2207 K*	HA 307E	FRB 5.5/72	2	6.06	2.75	ASNH 507-606
1 1/4	SNL 1508/1 1/4 TGE	SNL 508-607	TSN 508GE	1208 EK	HE 208	FRB 10.5/80	2	7.67	3.48	ASNH 508-607
	SNL 1608/1 1/4 TGE	SNL 510-608	TSN 608GE	1308 EK	HE 308	FRB 9/90	2	9.02	4.09	ASNH 510-608
	SNL 2508/1 1/4 TGE	SNL 508-607	TSN 508GE	2208 EK	HE 208	FRB 8/80	2	9.26	4.20	ASNH 508-607
	SNL 2608/1 1/4 TGE	SNL 510-608	TSN 608GE	2308 EK	HE 2308	FRB 4/90	2	9.55	4.33	ASNH 510-608
	SNL 21608/1 1/4 TGE	SNL 510-608	TSN 608GE	21308 EK	HE 308	FRB 9/90	2	9.02	4.09	ASNH 510-608
	SNL 22508/1 1/4 TGE	SNL 508-607	TSN 508GE	22208 EK	HE 308	FRB 8/80	2	8.16	3.70	ASNH 508-607
	SNL 22608/1 1/4 TGE	SNL 510-608	TSN 608GE	22308 EK	HE 2308	FRB 4/90	2	9.52	4.32	ASNH 510-608
	SNL C2508/1 1/4 TGE	SNL 508-607	TSN 508GE	C2208 K*	HE 308E	FRB 8/80	2	8.16	3.70	ASNH 508-607

* Must always be located.

Pillow block housing series SNL



Housing No.	Dimensions													Bolts (2 req'd)	
	A	A ₁	A ₂	A ₃	H	H ₁	H ₂	J _{max}	J _{min}	J	L	N	N ₁	G	S*
	in/mm														
SNL 506-605	3 1/16	2 1/16	3 1/2	5 5/16	3 1/2	1.969	7/8	6 1/8	5 11/16	5 15/16	7 5/16	3/4	5/8	1/2	*
	77	52	89	135	89	50	22	157	143	150	185	20	15	12	*
SNL 507-606	3 1/4	2 1/16	3 3/4	5 1/2	3 5/8	1.969	7/8	6 1/8	5 11/16	5 15/16	7 5/16	3/4	5/8	1/2	*
	82	52	94	140	93	50	22	157	143	150	185	20	15	12	*
SNL 508-607	3 3/8	2 3/8	3 13/16	5 3/4	4 1/4	2.362	1	6 7/8	6 1/2	6 11/16	8 1/8	3/4	5/8	1/2	*
	85	60	97	145	108	60	25	175	165	170	205	20	15	12	*
SNL 510-608	3 9/16	2 3/8	4	5 15/16	4 1/2	2.362	1	6 7/8	6 1/2	6 11/16	8 1/8	3/4	5/8	1/2	*
	90	60	102	150	113	60	25	175	165	170	205	20	15	12	*

***NOTE:** Dimension "S" indicates the shaft length from the centre of the bearing to the end of the shaft for housings with one end closed. For tabulation of the dimension "S", see the bearing tables on pages 52 and 53.

For an example on how to order, please see page 57.