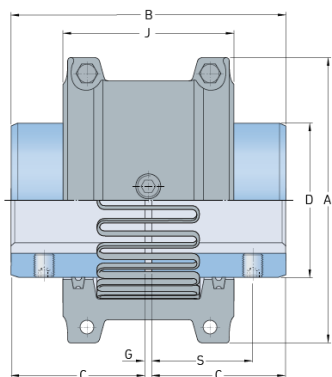


# PHE 1120TGHCOVER



Size	1120
Nominal torque (Nm)	13700
Max speed (r/min)	2025
Min. bore (mm)	60
Max. bore (mm)	136
Weight (kg)	8.6