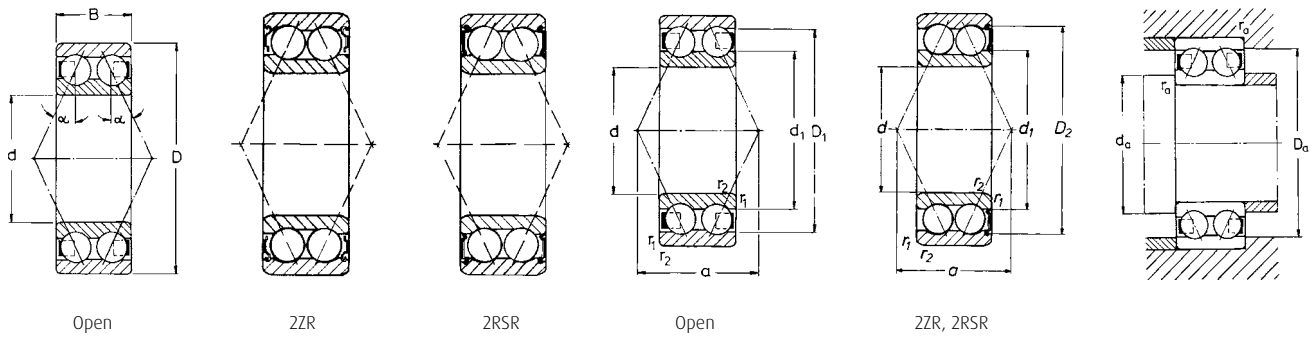


# Angular Contact Ball Bearings

Double Row | Bore 10 – 90 mm

Dimensions				Abbreviation			Load ratings		
d	D	B	r <sub>1,2</sub> min	Open	with shields	with seals	dyn. C	stat. C <sub>0</sub>	
mm							kN		
10	30	14.0	0.6	3200BTNG	..B2ZRTNG	..B2RSRTNG	7.80	4.55	
12	32	15.9	0.6	3201BTNG	..B2ZRTNG	..B2RSRTNG	10.60	5.85	
	37	19.0	1.0	3301BTNG	..B2ZRTNG	..B2RSRTNG	14.50	8.20	
15	35	15.9	0.6	3202BTNG	..B2ZRTNG	..B2RSRTNG	11.80	7.10	
	42	19.0	1.0	3302BTNG	..B2ZRTNG	..B2RSRTNG	16.30	10.00	
17	40	17.5	0.6	3203BTNG	..B2ZRTNG	..B2RSRTNG	14.60	9.00	
	47	22.2	1.0	3303BTNG	..B2ZRTNG	..B2RSRTNG	20.80	12.50	
20	47	20.6	1.0	3204BTNG	..B2ZRTNG	..B2RSRTNG	19.60	12.50	
	52	22.2	1.1	3304BTNG	..B2ZRTNG	..B2RSRTNG	23.20	15.00	
25	52	20.6	1.0	3205BTNG	..B2ZRTNG	..B2RSRTNG	21.20	14.60	
	62	25.4	1.1	3305BTNG	..B2ZRTNG	..B2RSRTNG	30.00	20.00	
30	62	23.8	1.0	3206BTNG	..B2ZRTNG	..B2RSRTNG	30.00	21.20	
	72	30.2	1.1	3306BTNG	..B2ZRTNG	..B2RSRTNG	41.50	28.50	
35	72	27.0	1.1	3207BTNG	..B2ZRTNG	..B2RSRTNG	39.00	28.50	
	80	34.9	1.5	3307BTNG	..B2ZRTNG	..B2RSRTNG	51.00	34.50	
40	80	30.2	1.1	3208BTNG	..B2ZRTNG	..B2RSRTNG	48.00	36.50	
	90	36.5	1.5	3308BTNG	..B2ZRTNG	..B2RSRTNG	62.00	45.00	
45	85	30.2	1.1	3209BTNG	..B2ZRTNG	..B2RSRTNG	48.00	37.50	
	100	39.7	1.5	3309BTNG	..B2ZRTNG	..B2RSRTNG	68.00	51.00	
50	90	30.2	1.1	3210BTNG	..B2ZRTNG	..B2RSRTNG	51.00	42.50	
	110	44.4	2.0	3310BTNG	..B2ZRTNG	..B2RSRTNG	81.00	62.00	
55	100	33.3	1.5	3211BTNG	..B2ZRTNG	..B2RSRTNG	58.50	49.00	
	120	49.2	2.0	3311BTNG	..B2ZRTNG	..B2RSRTNG	102.00	78.00	
60	110	36.5	1.5	3212BTNG	..B2ZRTNG	..B2RSRTNG	72.00	61.00	
	130	54.0	2.1	3312BTNG	..B2ZRTNG	..B2RSRTNG	125.00	98.00	
65	120	38.1	1.5	3213BTNG	..B2ZRTNG	..B2RSRTNG	80.00	73.50	
	140	58.7	2.1	3313BTNG	..B2ZRTNG	..B2RSRTNG	150.00	118.00	
70	125	39.7	1.5	3214BTNG	..B2ZRTNG	..B2RSRTNG	83.00	76.50	
	150	63.5	2.1	3314BTNG	..B2ZRTNG	..B2RSRTNG	171.50	138.20	
75	130	41.3	1.5	3215BTNG	..B2ZRTNG	..B2RSRTNG	91.50	85.00	
	160	63.5	2.1	3315BTNG	..B2ZRTNG	..B2RSRTNG	173.40	145.30	
80	140	44.4	2.0	3216BTNG	..B2ZRTNG	..B2RSRTNG	98.00	93.00	
85	150	49.2	2.0	3217BTNG	..B2ZRTNG	..B2RSRTNG	116.00	110.00	
90	160	52.4	2.0	3218BTNG	..B2ZRTNG	..B2RSRTNG	124.60	120.30	



	Speed limits		Dimensions (mm)			Abutment dimensions (mm)			Weight	Abbreviation
	Grease	Oil	d <sub>1</sub>	D <sub>1</sub> , D <sub>2</sub>	a	d <sub>a</sub>	D <sub>a</sub>	r <sub>a</sub>		
	min <sup>-1</sup>				min	max	max	max	kg	
	16,000	22,000	17.9	23.9	15.1	15	25	0.6	0.043	3200BTNG
	15,000	20,000	18.3	25.7	16.6	17	27	0.6	0.051	3201BTNG
	10,500	11,500	21.1	30.4	19.4	19	32	1.0	0.090	3301BTNG
	14,000	19,000	21.0	29.3	18.0	20	30	0.6	0.058	3202BTNG
	11,000	16,000	25.6	34.2	21.2	21	36	1.0	0.112	3302BTNG
	12,000	17,000	24.0	33.1	20.5	22	35	0.6	0.085	3203BTNG
	10,000	15,000	26.2	37.7	24.0	23	41	1.0	0.161	3303BTNG
	10,000	15,000	28.9	38.7	24.2	26	41	1.0	0.139	3204BTNG
	9,000	13,000	31.2	42.6	26.4	27	45	1.0	0.197	3304BTNG
	8,500	12,000	33.9	43.7	26.5	31	46	1.0	0.159	3205BTNG
	7,500	10,000	37.1	50.0	30.7	32	55	1.0	0.316	3305BTNG
	7,000	9,500	40.0	52.7	31.4	36	56	1.0	0.265	3206BTNG
	6,300	8500	44.0	59.0	36.2	37	65	1.0	0.496	3306BTNG
	6,300	8,500	47.2	60.4	36.6	42	65	1.0	0.412	3207BTNG
	5,600	7,500	49.2	65.4	41.5	44	71	1.5	0.664	3307BTNG
	5,600	7,500	52.9	67.9	40.9	47	73	1.0	0.550	3208BTNG
	5,000	6700	55.4	74.3	46.1	49	81	1.5	0.905	3308BTNG
	5,000	6,700	57.1	72.6	43.2	52	78	1.0	0.583	3209BTNG
	4,500	6,000	62.2	81.6	50.0	54	91	1.5	1.210	3309BTNG
	4,800	6,300	61.9	78.1	45.5	57	83	1.0	0.632	3210BTNG
	4,000	5,300	68.2	89.6	54.9	60	100	2.0	1.600	3310BTNG
	4,300	5,600	68.6	85.3	49.9	64	91	1.5	0.876	3211BTNG
	3,800	5,000	75.2	98.4	61.2	65	110	2.0	2.110	3311BTNG
	3,800	5,000	75.7	94.3	55.1	69	101	1.5	1.180	3212BTNG
	3,400	4,500	81.2	108.7	67.3	72	118	2.0	2.700	3312BTNG
	3,400	4,500	84.5	103.5	59.8	74	111	1.5	1.520	3213BTNG
	3,200	4,300	88.2	118.0	73.3	77	128	2.0	3.390	3313BTNG
	3,400	4,500	86.7	106.2	61.6	79	116	1.5	1.640	3214BTNG
	3,000	4,000	94.7	125.0	80.8	84	135	2.1	4.900	3314BTNG
	3,200	4,300	92.4	112.6	65.0	89	116.6	1.5	1.910	3215BTNG
	2,800	3,800	101.4	133.0	83.8	90	143.0	2.1	5.700	3315BTNG
	3,000	4,000	98.5	120.3	69.0	91	129	2.0	2.450	3216BTNG
	2,800	3,800	106.4	128.5	74.6	100	135	2.0	3.300	3217BTNG
	2,600	3,600	113.2	136.6	78.9	109	141	2.1	4.170	3218BTNG