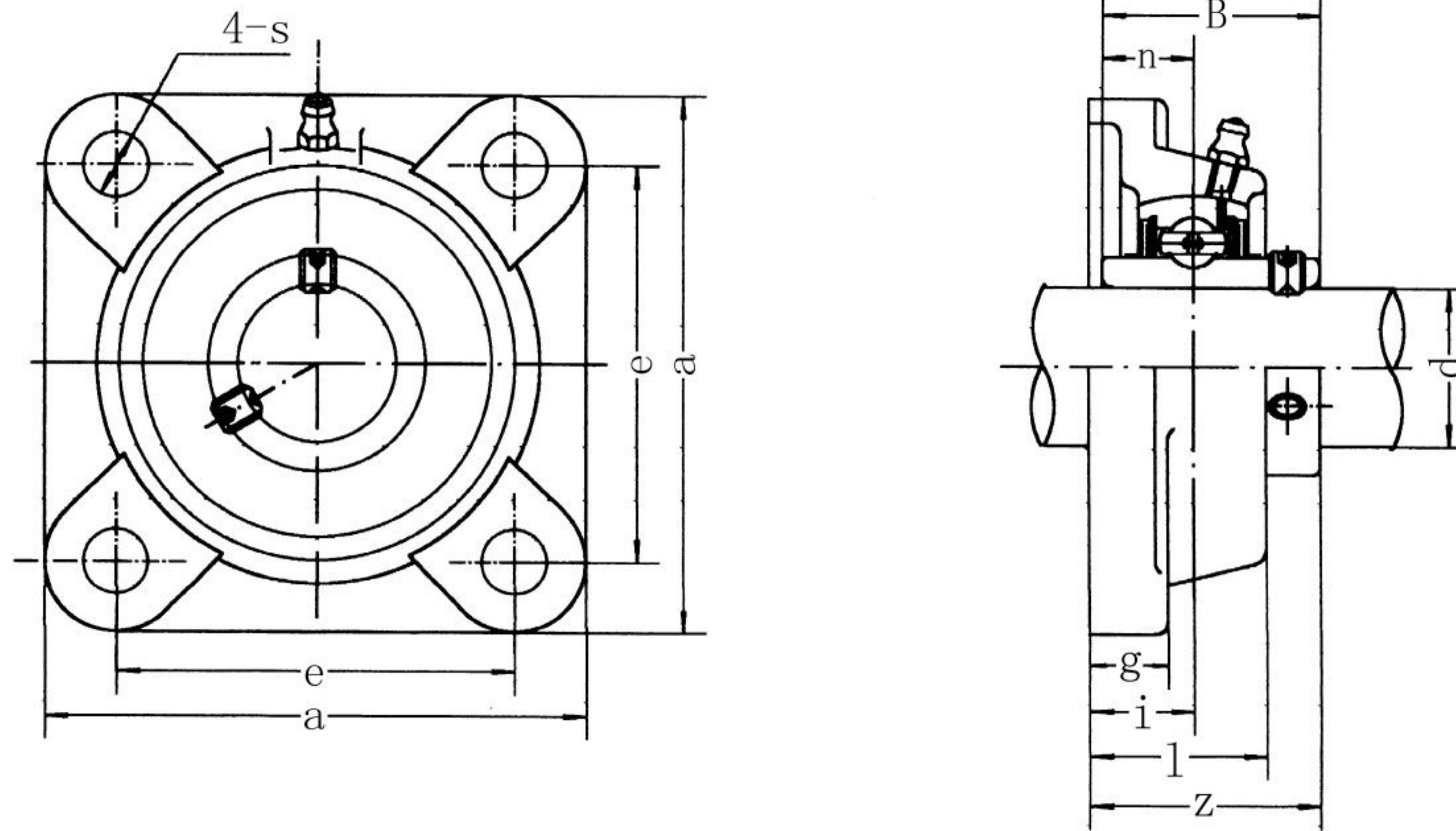


Flange Units (Square)

UCF3 (Heavy-duty)



Unit No.	Dimensions										Bolt Size	Bearing No.	Housing No.	Weight (kg)
	d	a	e	i	g	l	s	z	B	n				
UCF305 UCF305-13 UCF305-14 UCF305-15 UCF305-16	25 13/16 7/8 15/16 1	110	80	16	13	29	16	39	38	15	M14	UC305 UC305-13 UC305-14 UC305-15 UC305-16	F305	1.1
UCF306 UCF306-17 UCF306-18 UCF306-19	30 1-1/16 1-1/8 1-3/16	125	95	18	15	32	16	44	43	17	M14	UC306 UC306-17 UC306-18 UC306-19	F306	1.6
UCF307 UCF307-20 UCF307-21 UCF307-22 UCF307-23	35 1-1/4 1-5/16 1-3/8 1-7/16	135	100	20	16	36	19	49	48	19	M16	UC307 UC307-20 UC307-21 UC307-22 UC307-23	F307	2
UCF308 UCF308-24 UCF308-25	40 1-1/2 1-9/16	150	112	23	17	40	19	56	52	19	M16	UC308 UC308-24 UC308-25	F308	2.7
UCF309 UCF309-26 UCF309-27 UCF309-28	45 1-5/8 1-11/16 1-3/4	160	125	25	18	44	19	60	57	22	M16	UC309 UC309-26 UC309-27 UC309-28	F309	3.4
UCF310 UCF310-29 UCF310-30 UCF310-31	50 1-13/16 1-7/8 1-15/16	175	132	28	19	48	23	67	61	22	M20	UC310 UC310-29 UC310-30 UC310-31	F310	4.5
UCF311 UCF311-32 UCF311-33 UCF311-34 UCF311-35	55 2 2-1/16 2-1/8 2-3/16	185	140	30	20	52	23	71	66	25	M20	UC311 UC311-32 UC311-33 UC311-34 UC311-35	F311	5.5
UCF312 UCF312-36 UCF312-37 UCF312-38 UCF312-39	60 2-1/4 2-5/16 2-3/8 2-7/16	195	150	33	22	56	23	78	71	26	M20	UC312 UC312-36 UC312-37 UC312-38 UC312-39	F312	6.5
UCF313 UCF313-40 UCF313-41	65 2-1/2 2-9/16	208	166	33	22	58	23	78	75	30	M20	UC313 UC313-40 UC313-41	F313	7.9
UCF314 UCF314-42 UCF314-43 UCF314-44	70 2-5/8 2-11/16 2-3/4	226	178	36	25	61	25	81	78	33	M22	UC314 UC314-42 UC314-43 UC314-44	F314	9.5
UCF315 UCF315-45 UCF315-46 UCF315-47 UCF315-48	75 2-13/16 2-7/8 2-15/16 3	236	184	39	25	66	25	89	82	32	M22	UC315 UC315-45 UC315-46 UC315-47 UC315-48	F315	1.2
UCF316 UCF316-49 UCF316-50 UCF316-51	80 3-1/16 3-1/8 3-3/16	250	196	38	27	68	31	90	86	34	M27	UC316 UC316-49 UC316-50 UC316-51	F316	14
UCF317 UCF317-52 UCF317-53 UCF317-55	85 3-1/4 3-5/16 3-7/16	260	204	44	27	74	31	100	96	40	M27	UC317 UC317-52 UC317-53 UC317-55	F317	16
UCF318 UCF318-55 UCF318-56	90 3-7/16 3-1/2	280	216	44	30	76	35	100	96	40	M30	UC318 UC318-55 UC318-56	F318	19
UCF319 UCF319-58 UCF319-59 UCF319-60	95 3-5/8 3-11/16 3-3/4	290	228	59	30	94	35	121	103	41	M30	UC319 UC319-58 UC319-59 UC319-60	F319	22
UCF320 UCF320-64	100 4	310	242	59	32	94	38	125	108	42	M33	UC320 UC320-64	F320	26
UCF322	110	340	266	60	35	96	41	131	117	46	M36	UC322	F322	38
UCF324	120	370	290	65	40	110	41	140	126	51	M36	UC324	F324	50
UCF326	130	410	320	65	45	115	41	146	135	54	M36	UC326	F326	66
UCF328	140	450	350	75	55	125	41	161	145	59	M36	UC328	F328	90