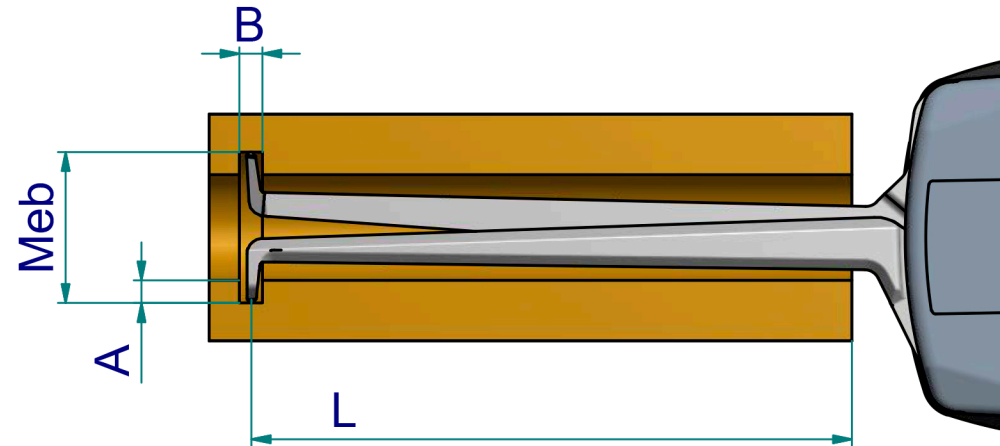


subject to technical alterations

type: G
range: .79 - 1.58 INCH
range of indication: .7675 - 1.5945 INCH
digital step: .0005 INCH
scale interval: -
measuring force: 1,1 - 1,6 N
weight: 250 g

acceptable deviations
 VDI/VDE/DGQ 2618 Bl. 12.1/13.1)
max. permissible errors "G": .0015 INCH
repeatability "r": .0005 INCH
reference temperature: 20° C
operation temperature: 10° C - 30° C
storage temperature: -10° C - 50° C

scale: 1:1
drawing-nr.: DAB-G220_KR_I
date of issue: 07.01.09
name: M. Balzer
revision status: 001
revision date: 08.03.10



measuring capacity

groove depth A [inch]	measuring range Meb [inch]								
	.79	.87	.94	1.02	1.10	1.18	1.26	1.38	1.57
0	0 / 3.07	0 / 3.30	0 / 3.33	0 / 3.35	0 / 3.41	0 / 3.42	0 / 3.43	0 / 3.44	0 / 3.46
.039		.06 / 3.24	.06 / 3.31	.06 / 3.34	.06 / 3.39	.06 / 3.41	.06 / 3.42	.06 / 3.43	.06 / 3.45
.079			.06 / 3.28	.06 / 3.33	.06 / 3.70	.06 / 3.40	.06 / 3.41	.06 / 3.43	.06 / 3.44
.118				.07 / 3.30	.07 / 3.34	.07 / 3.38	.07 / 3.41	.07 / 3.42	.07 / 3.44
.157					.07 / 3.31	.07 / 3.35	.07 / 3.39	.07 / 3.40	.07 / 3.43
.197						.08 / 3.32	.08 / 3.36	.08 / 3.40	.08 / 3.42
.236							.08 / 3.33	.08 / 3.38	.08 / 3.41
.256								.09 / 3.37	.09 / 3.41
	B / L								

subject to technical alterations

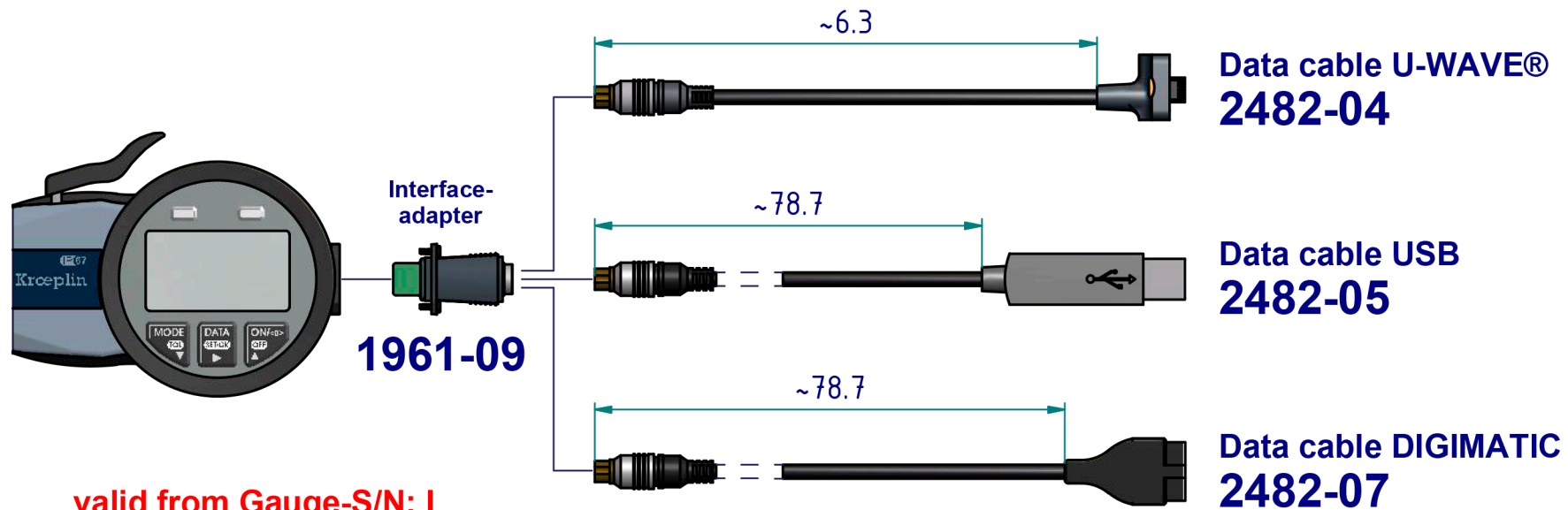
drawing-nr.: DAB-G220_KR_I
date of issue: 07.01.09
name: M. Balzer

B = minimum groove width [inch]
L = maximum usable arm length [inch]

Example: Meb = 1.02 B = .06
A = .079 L = 3.33

revision status:
revision date:

interface as accessories available:



valid from Gauge-S/N: I
Always specify serial number
when ordering Interfaces or accessories!

subject to technical alterations

drawing-nr.:	DAB-G220_KR_I
date of issue:	07.01.09
name:	M. Balzer
revision status:	2043
revision date:	27.02.12