

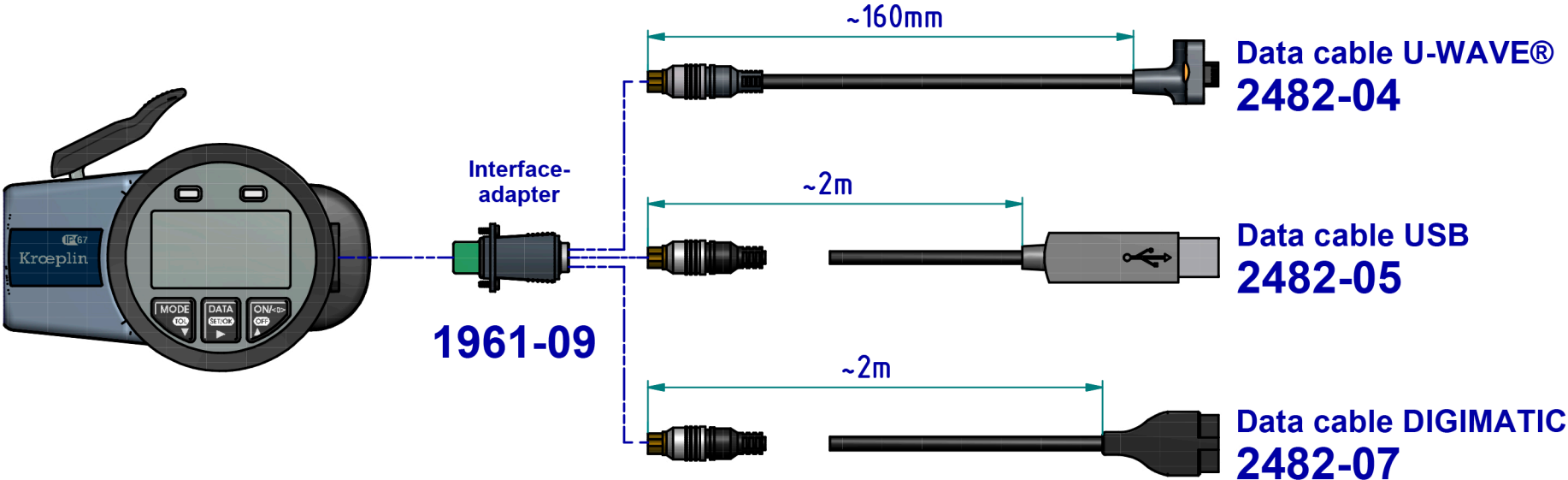
subject to technical alterations

type: E200
 range: 30 - 60 mm
 range of indication: 29,5 - 60,5 mm
 digital step: 0,02 mm
 scale interval:
 measuring force: 1,2 - 1,7 N
 weight: 370 g

acceptable deviations
 VDI/VDE/DGQ 2618 Bl. 12.1/13.1)
 max. permissible
 errors "G": 0,04 mm
 repeatability "r": 0,02 mm
 reference temperature: 20° C
 operation temperature: 10° C - 30° C
 storage temperature: -10° C - 50° C

scale: 1 : 2
 drawing-nr.: DAB-G330_KR_en
 date of issue: 10.04.2013
 name: Lange
 revision status:
 revision date:

interface as accessories available:



subject to technical alterations

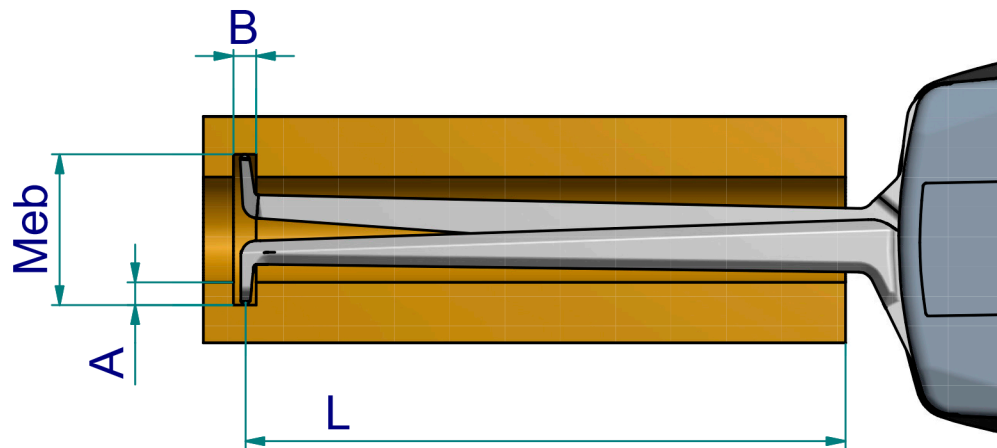
drawing-nr.:	DAB-G330_KR_en
date of issue:	10.04.2013
name:	Lange
revision status:	
revision date:	

measuring capacity

		measuring range Meb [mm]												
		30	32	34	36	38	40	42	45	48	51	54	57	60
groove depth A [mm]	0	0 / 130	0 / 131	0 / 132	0 / 132	0 / 132	0 / 132	0 / 132	0 / 132	0 / 132	0 / 132	0 / 132	0 / 132	0 / 132
	1		2,0 / 131	2,0 / 131	2,0 / 132	2,0 / 132	2,0 / 132	2,0 / 132	2,0 / 132	2,0 / 132	2,0 / 132	2,0 / 132	2,0 / 132	2,0 / 132
	2			2,2 / 131	2,2 / 132	2,2 / 132	2,2 / 132	2,2 / 132	2,2 / 132	2,2 / 132	2,2 / 132	2,2 / 132	2,2 / 132	2,2 / 132
	3				2,4 / 131	2,4 / 132	2,4 / 132	2,4 / 132	2,4 / 132	2,3 / 132	2,3 / 132	2,3 / 132	2,3 / 132	2,3 / 132
	4					2,6 / 131	2,6 / 132	2,5 / 132	2,5 / 132	2,5 / 132	2,5 / 132	2,4 / 132	2,5 / 132	2,5 / 132
	5						2,7 / 132	2,7 / 132	2,7 / 132	2,6 / 132	2,6 / 132	2,6 / 132	2,6 / 132	2,6 / 132
B / L														

B = minimum groove width [mm]
L = maximum usable arm length [mm]

Example: Meb = 36 B = 2,2
A = 2 L = 132



subject to technical alterations

drawing-nr.: DAB-G330_KR_en
date of issue: 03.07.2013
name: Lange

revision status:
revision date: