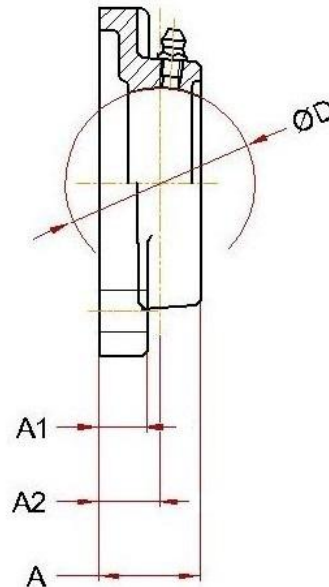
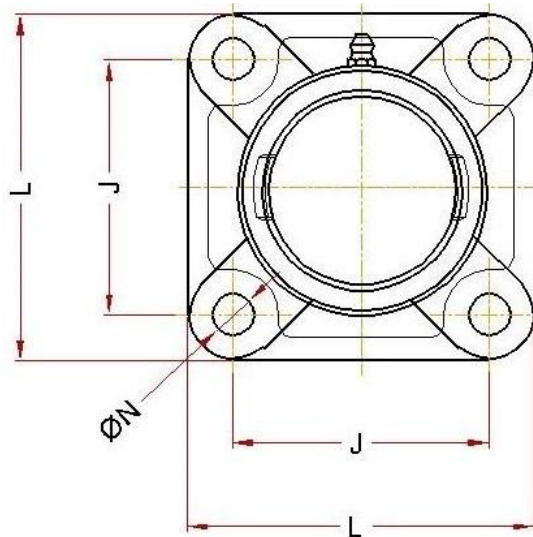
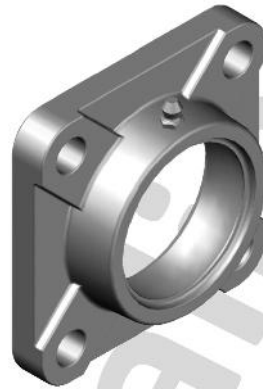


F SS (200 Serie)

Housings in Stainless Steel (not magnetic)



Housing code	D (Diam)	L (max)	J	A (max)	A1 (max)	A2	N (Diam)	* Weight, g
F 204 SS	47	88	64	34	15	19	11,5 ± 1,0	390
F 205 SS	52	97	70	35	15	19	12,0 ± 0,5	450
F 206 SS	62	110	83	38	16	20	12,0 ± 0,5	610
F 207 SS	72	119	92	38	17	21	14,0 ± 1,0	750
F 208 SS	80	132	102	43	17	24	14,0 ± 1,0	1010
F 209 SS	85	139	105	45	18	24	15,0 ± 2,0	1110
F 210 SS	90	145	111	48	20	28	18,0 ± 1,0	1270
F 211 SS	100	164	130	51	21	31	18,0 ± 1,0	1670
F 212 SS	110	177	143	52	21	34	18,0 ± 1,0	1970
F 213 SS	120	189	149	57	24	34	18,0 ± 1,0	2550
F 214 SS	125	195	152	58	24	35	18,5 ± 1,5	2820
F 215 SS	130	202	159	60	24	35	20,8 ± 3,8	3160

* Weight for housings is indicative. The production is made from Stainless steel Casting and weight depends from the condition of the molding.

Via Volta 7 (12100 Cuneo Italy) phone: 0039 0171 66883 fax: 0039 0171 648913 www.becoitalia.it

