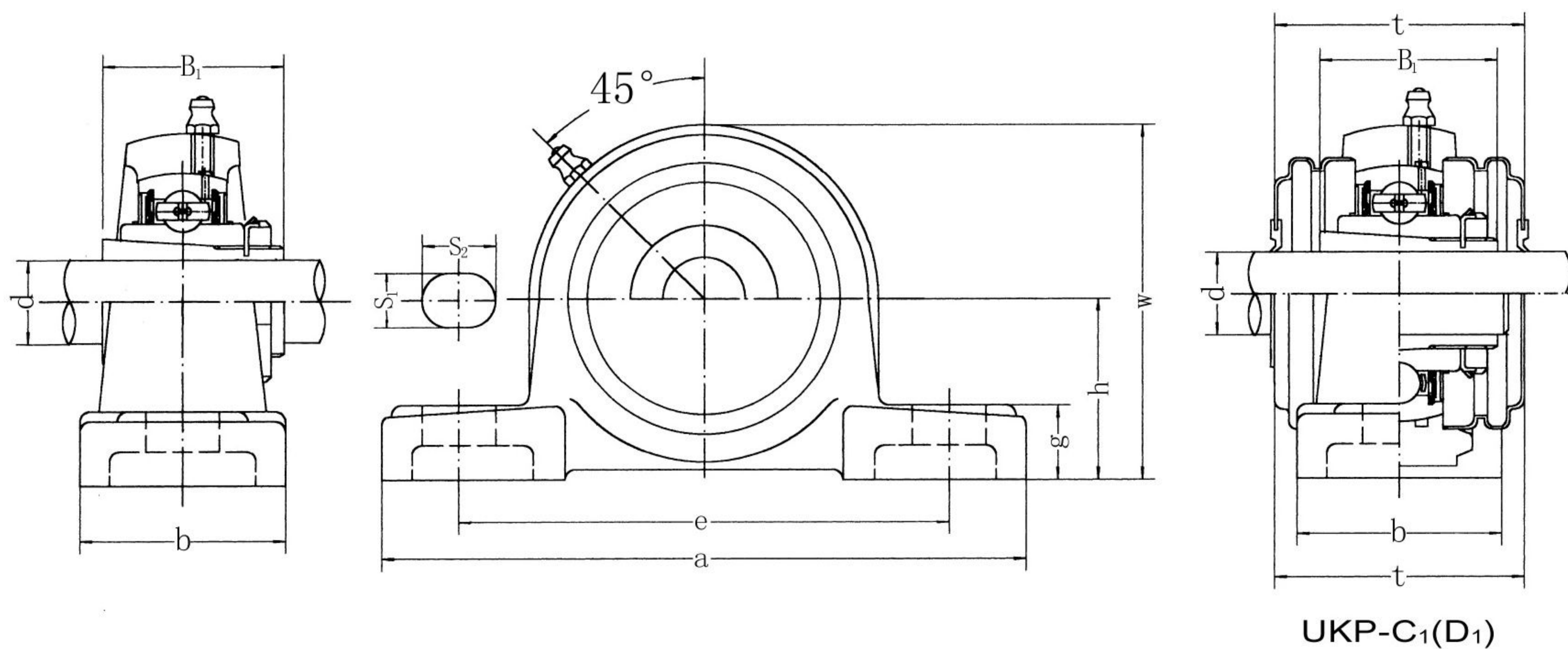


UKP2 (Normal-duty)


Unit No.	Dimensions ^{mm} _{in.}											Bolt Size ^{mm} _{inch}	Bearing No.	Housing No.	Weight (kg)
	d	h	a	e	b	s ₁	s ₂	g	w	t	B ₁				
UKP205;H2305	20	36.5	140	105	38	13	19	15	71	48	35	M10	UK205;H2305	P205	0.86
UKP205;HE2305	3/4	1-7/16	5-1/2	4-1/8	1-1/2	1/2	3/4	19/32	2-25/32	1-57/64	1.378	3/8	UK205;HE2305		
UKP206;H2306	25	42.9	160	121	44	17	20	17	84	53	38	M14	UK206;H2306	P206	1.28
UKP206;HS2306	7/8	1-11/16	6-19/64	4-3/4	1-47/64	43/64	25/32	43/64	3-5/16	2-5/64	1.496	1/2	UK206;HS2306		
UKP206;HE2306	1												UK206;HE2306		
UKP207;H2307	30	47.6	167	127	48	17	20	18	93	59.5	43	M14	UK207;H2307	P207	1.67
UKP207;HS2307	1-1/8	1-7/8	6-9/16	5	1-7/8	43/64	25/32	45/64	3-21/32	2-11/32	1.693	1/2	UK207;HS2307		
UKP208;H2308	35	49.2	184	137	54	17	20	18	100	69	46	M14	UK208;H2308	P208	1.99
UKP208;HE2308	1-1/4	1-15/16	7-1/4	5-13/32	2-1/8	43/64	25/32	45/64	3-15/16	2-23/32	1.811	1/2	UK208;HE2308		
UKP208;HS2308	1-3/8												UK208;HS2308		
UKP209;H2309	40	54.0	190	146	54	17	20	20	106	69	50	M14	UK209;H2309	P209	2.29
UKP209;HA2309	1-7/16												UK209;HA2309		
UKP209;HE2309	1-1/2	2-1/8	7-15/32	5-3/4	2-1/8	43/64	25/32	25/32	4-11/64	2-23/32	1.969	1/2	UK209;HE2309		
UKP209;HS2309	1-5/8												UK209;HS2309		
UKP210;H2310	45	57.2	206	159	60	20	23	21	113	74.5	55	M16	UK210;H2310	P210	2.83
UKP210;HS2310	1-5/8												UK210;HS2310		
UKP210;HA2310	1-11/16	2-1/4	8-1/8	6-1/4	2-3/8	25/32	29/32	53/64	4-29/64	2-15/16	2.165	5/8	UK210;HA2310		
UKP210;HE2310	1-3/4												UK210;HE2310		
UKP211;H2311	50	63.5	219	171	60	20	23	23	125	76	59	M16	UK211;H2311	P211	3.46
UKP211;HS2311	1-7/8												UK211;HS2311		
UKP211;HA2311	1-15/16	2-1/2	8-5/8	6-47/64	2-3/8	25/32	29/32	29/32	4-59/64	3	2.323	5/8	UK211;HA2311		
UKP211;HE2311	2												UK211;HE2311		
UKP212;H2312	55	69.8	241	184	70	20	23	25	138	89	62	M16	UK212;H2312	P212	4.95
UKP212;HS2312	2-1/8	2-3/4	9-1/2	7-1/4	2-3/4	25/32	29/32	63/64	5-7/16	3-1/2	2.441	5/8	UK212;HS2312		
UKP213;H2313	60	76.2	265	203	70	25	28	27	150	89	65	M20	UK213;H2313	P213	5.06
UKP213;HA2313	2-3/16												UK213;HA2313		
UKP213;HE2313	2-1/4	3	10-7/16	8	2-3/4	63/64	1-3/32	1-1/16	5-29/32	3-1/2	2.559	3/4	UK213;HE2313		
UKP213;HS2313	2-3/8												UK213;HS2313		
UKP215;H2315	65	82.6	275	217	74	25	28	28	162		73	M20	UK215;H2315	P215	7.27
UKP215;HA2315	2-7/16	3-1/4	10-53/64	8-35/64	2-29/32	63/64	1-3/32	1-3/32	6-3/8		2.874	3/4	UK215;HA2315		
UKP215;HE2315	2-1/2												UK215;HE2315		
UKP216;H2316	70	88.9	292	232	78	25	28	30	174		78	M20	UK216;H2316	P216	8.36
UKP216;HA2316	2-11/16	3-1/2	11-1/2	9-1/8	3-1/16	63/64	1-3/32	1-3/16	6-27/32		3.071	3/4	UK216;HA2316		
UKP216;HE2316	2-3/4												UK216;HE2316		
UKP217;H2317	75	95.2	310	247	83	25	28	32	185		82	M20	UK217;H2317	P217	10.23
UKP217;HA2317	2-15/16	3-3/4	12-13/64	9-23/32	3-17/64	63/64	1-3/32	1-1/4	7-9/32		3.228	3/4	UK217;HA2317		
UKP217;HE2317	3												UK217;HE2317		
UKP218;H2318	80	101.6	327	262	88	27	30	33	198		86	M22	UK218;H2318	P218	12.34
UKP218;HA2318	3-3/16	4	12-7/8	10-5/16	3-15/32	1-1/16	1-3/16	1-19/64	7-51/64		3.386	7/8	UK218;HA2318		