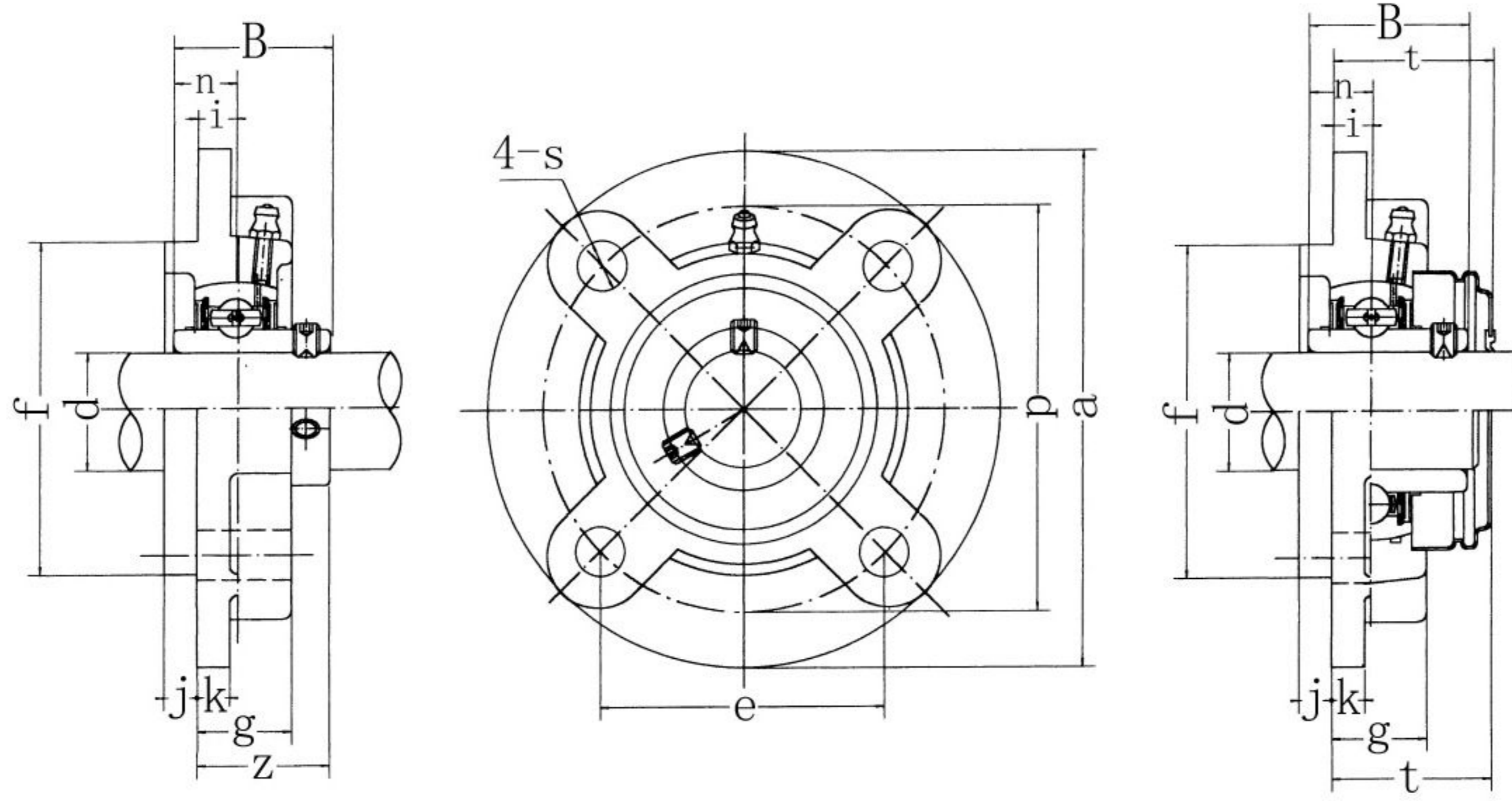


Flange Cartridge Units

UCFC2 (Normal-duty)



UCFC-C1(D1)

| Unit No. | Dimensions ^{mm} _{in.} | | | | | | | | | | | | | | Bolt Size mm inch | Bearing No. | Housing No. | Weight (kg) |
|---|--|----------------|----------------|------------------|-------------|-------------|-------------|-------------|---------------|---------------|-----------------|-----------------|----------------|----------------|-------------------------|---|-------------|--------------------------------------|
| | d | a | p | e | i | S | j | k | g | f | z | t | B | n | | | | |
| UCFC201 UCFC201-8 | 12 1/2 | 100 3-15/16 | 78 3-5/64 | 55.1 2-11/64 | 10 25/64 | 12 15/32 | 5 13/64 | 7 9/32 | 20.5 13/16 | 62 2.4409 | 28.3 1-1/8 | 32.5 1-9/32 | 31 1.2205 | 12.7 0.500 | M10 3/8 | UC201 UC201-8 | FC204 | 0.73 0.72 |
| UCFC202 UCFC202-9 UCFC202-10 | 15 9/16 5/8 | 100 3-15/16 | 78 3-5/64 | 55.1 2-11/64 | 10 25/64 | 12 15/32 | 5 13/64 | 7 9/32 | 20.5 13/16 | 62 2.4409 | 28.3 1-1/8 | 32.5 1-9/32 | 31 1.2205 | 12.7 0.500 | M10 3/8 | UC202 UC202-9 UC202-10 | FC204 | 0.72 0.72 0.72 |
| UCFC203 UCFC203-11 | 17 11/16 | 100 3-15/16 | 78 3-5/64 | 55.1 2-11/64 | 10 25/64 | 12 15/32 | 5 13/64 | 7 9/32 | 20.5 13/16 | 62 2.4409 | 28.3 1-1/8 | 32.5 1-9/32 | 31 1.2205 | 12.7 0.500 | M10 3/8 | UC203 UC203-11 | FC204 | 0.71 0.70 |
| UCFC204 UCFC204-12 | 20 3/4 | 100 3-15/16 | 78 3-5/64 | 55.1 2-11/64 | 10 25/64 | 12 15/32 | 5 13/64 | 7 9/32 | 20.5 13/16 | 62 2.4409 | 28.3 1-1/8 | 32.5 1-9/32 | 31 1.2205 | 12.7 0.500 | M10 3/8 | UC204 UC204-12 | FC204 | 0.69 0.69 |
| UCFC205 UCFC205-13 UCFC205-14 UCFC205-15 UCFC205-16 | 25 13/16 7/8 15/16 1 | 115 4-17/32 | 90 3-35/64 | 63.6 2-1/2 | 10 25/64 | 12 15/32 | 6 15/64 | 7 9/32 | 21 53/64 | 70 2.7559 | 29.8 1-11/64 | 34 1-11/32 | 34.1 1.3425 | 14.3 0.563 | M10 3/8 | UC205 UC205-13 UC205-14 UC205-15 UC205-16 | FC205 | 1.00 1.04 1.03 1.01 1.00 |
| UCFC206 UCFC206-17 UCFC206-18 UCFC206-19 UCFC206-20 | 30 1-1/16 1-1/8 1-3/16 1-1/4 | 125 4-59/64 | 100 3-15/16 | 70.7 2-25/32 | 10 25/64 | 12 15/32 | 8 5/16 | 8 5/16 | 23 29/32 | 80 3.1496 | 32.2 1-17/64 | 36.5 1-7/16 | 38.1 1.5000 | 15.9 0.626 | M10 3/8 | UC206 UC206-17 UC206-18 UC206-19 UC206-20 | FC206 | 1.30 1.31 1.32 1.30 1.29 |
| UCFC207 UCFC207-20 UCFC207-21 UCFC207-22 UCFC207-23 | 35 1-1/4 1-5/16 1-3/8 1-7/16 | 135 5-5/16 | 110 4-21/64 | 77.8 3-1/16 | 11 7/16 | 14 35/64 | 8 5/16 | 9 23/64 | 26 1-1/32 | 90 3.5433 | 36.4 1-7/16 | 41 1-5/8 | 42.9 1.6890 | 17.5 0.689 | M12 7/16 | UC207 UC207-20 UC207-21 UC207-22 UC207-23 | FC207 | 1.81 1.87 1.84 1.81 1.78 |
| UCFC208 UCFC208-24 UCFC208-25 | 40 1-1/2 1-9/16 | 145 5-45/64 | 120 4-23/32 | 84.8 3-11/32 | 11 7/16 | 14 35/64 | 10 25/64 | 9 23/64 | 26 1-1/32 | 100 3.9370 | 41.2 1-5/8 | 45.5 1-51/64 | 49.2 1.9370 | 19 0.748 | M12 7/16 | UC208 UC208-24 UC208-25 | FC208 | 2.14 2.18 2.15 |
| UCFC209 UCFC209-26 UCFC209-27 UCFC209-28 | 45 1-5/8 1-11/16 1-3/4 | 160 6-19/64 | 132 5-13/64 | 93.3 3-43/64 | 10 25/64 | 16 5/8 | 12 15/32 | 14 35/64 | 26 1-1/32 | 105 4.1339 | 40.2 1-37/64 | 44.5 1-3/4 | 49.2 1.9370 | 19 0.748 | M14 1/2 | UC209 UC209-26 UC209-27 UC209-28 | FC209 | 2.68 2.78 2.74 2.70 |
| UCFC210 UCFC210-29 UCFC210-30 UCFC210-31 UCFC210-32 | 50 1-13/16 1-7/8 1-15/16 2 | 165 6-1/2 | 138 5-7/16 | 97.6 3-27/32 | 10 25/64 | 16 5/8 | 12 15/32 | 14 35/64 | 28 1-7/64 | 110 4.3307 | 42.6 1-11/16 | 47.5 1-7/8 | 51.6 2.0315 | 19 0.748 | M14 1/2 | UC210 UC210-29 UC210-30 UC210-31 UC210-32 | FC210 | 2.90 3.02 2.97 2.92 2.88 |
| UCFC211 UCFC211-32 UCFC211-33 UCFC211-34 UCFC211-35 | 55 2 2-1/16 2-1/8 2-3/16 | 185 7-9/32 | 150 5-29/32 | 106.1 4-3/16 | 13 33/64 | 19 3/4 | 12 15/32 | 15 19/32 | 31 1-7/32 | 125 4.9213 | 46.4 1-53/64 | 51 2-1/64 | 55.6 2.1890 | 22.2 0.874 | M16 5/8 | UC211 UC211-32 UC211-33 UC211-34 UC211-35 | FC211 | 4.01 4.16 4.10 4.05 3.99 |
| UCFC212 UCFC212-36 UCFC212-37 UCFC212-38 UCFC212-39 | 60 2-1/4 2-5/16 2-3/8 2-7/16 | 195 7-11/16 | 160 6-19/64 | 113.1 4-29/64 | 17 43/64 | 19 3/4 | 12 15/32 | 15 19/32 | 36 1-27/64 | 135 5.3150 | 56.7 2-15/64 | 61.5 2-27/64 | 65.1 2.5630 | 25.4 1.000 | M16 5/8 | UC212 UC212-36 UC212-37 UC212-38 UC212-39 | FC212 | 4.94 5.07 4.99 4.92 4.85 |
| UCFC213 UCFC213-40 UCFC213-41 | 65 2-1/2 2-9/16 | 205 8-5/64 | 170 6-11/16 | 120.2 4-47/64 | 16 5/8 | 19 3/4 | 14 35/64 | 15 19/32 | 36 1-27/64 | 145 5.5118 | 55.7 1-3/16 | 60.5 2-25/64 | 65.1 2.5630 | 25.4 1.000 | M16 5/8 | UC213 UC213-40 UC213-41 | FC213 | 5.65 5.74 5.65 |
| UCFC214 UCFC214-42 UCFC214-43 UCFC214-44 | 70 2-5/8 2-11/16 2-3/4 | 215 8-15/32 | 177 6-31/32 | 125.1 4-59/64 | 17 43/64 | 19 3/4 | 14 35/64 | 18 23/32 | 40 1-37/64 | 150 5.9055 | 61.4 1-13/32 | | 74.6 2.9370 | 30.2 1.189 | M16 5/8 | UC214 UC214-42 UC214-43 UC214-44 | FC214 | 6.95 7.16 7.06 6.96 |
| UCFC215 UCFC215-45 UCFC215-46 UCFC215-47 UCFC215-48 | 75 2-13/16 2-7/8 2-15/16 3 | 220 8-21/32 | 184 7-1/4 | 130.1 5-1/8 | 18 23/32 | 19 3/4 | 16 5/8 | 18 23/32 | 40 1-37/64 | 160 6.2992 | 62.5 2-15/32 | | 77.8 3.0630 | 33.3 1.311 | M16 5/8 | UC215 UC215-45 UC215-46 UC215-47 UC215-48 | FC215 | 7.56 7.81 7.70 7.59 7.47 |
| UCFC216 UCFC216-49 UCFC216-50 UCFC216-51 | 80 3-1/16 3-1/8 3-3/16 | 240 9-29/64 | 200 7-7/8 | 141.4 5-9/16 | 18 23/32 | 23 29/32 | 16 5/8 | 18 23/32 | 42 1-21/32 | 170 6.6929 | 67.3 2-21/32 | | 82.6 3.2520 | 33.3 1.311 | M20 3/4 | UC216 UC216-49 UC216-50 UC216-51 | FC216 | 9.15 9.28 9.20 9.07 |
| UCFC217 UCFC217-52 UCFC217-53 UCFC217-55 | 85 3-1/4 3-5/16 3-7/16 | 250 9-27/32 | 208 8-3/16 | 147.1 5-51/64 | 18 23/32 | 23 29/32 | 18 23/32 | 20 25/32 | 45 1-25/32 | 180 7.0866 | 69.6 2-3/4 | | 85.7 3.3740 | 34.1 1.343 | M20 3/4 | UC217 UC217-52 UC217-53 UC217-55 | FC217 | 10.81 11.03 10.89 10.60 |
| UCFC218 UCFC218-56 | 90 3-1/2 | 265 10-7/16 | 220 8-21/32 | 155.5 6-1/8 | 22 55/64 | 23 29/32 | 18 23/32 | 20 25/32 | 50 1-31/32 | 190 7.4803 | 78.3 3-3/32 | | 96 3.7795 | 39.7 1.5630 | M20 3/4 | UC218 UC218-56 | FC218 | 12.96 13.07 |