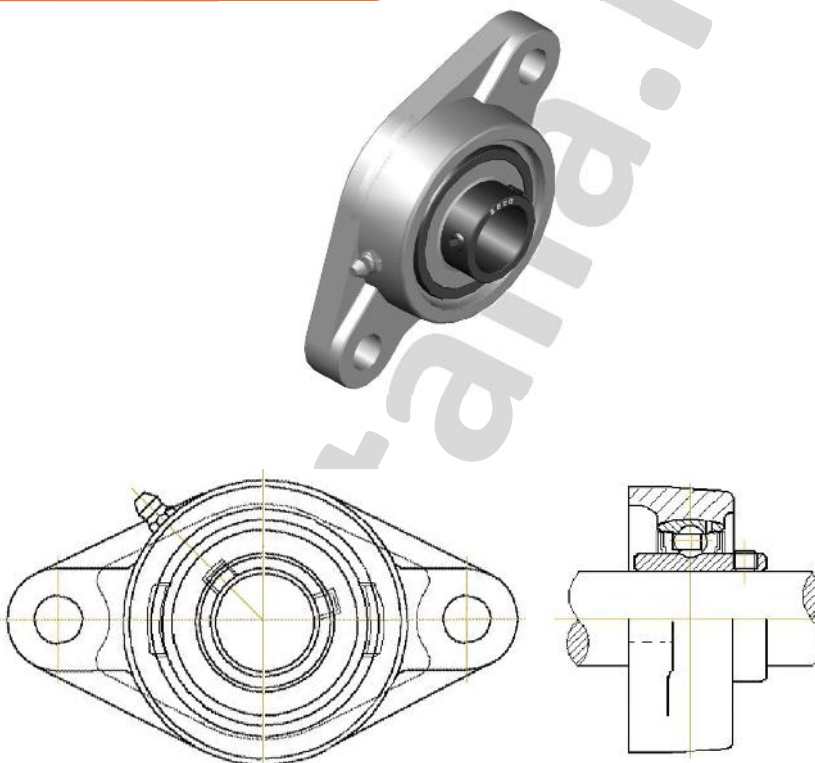
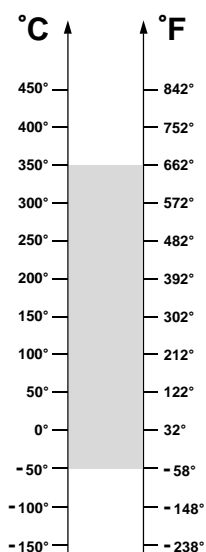


BHTS ZZ GR CG 350° (UCFL Serie)

Pillow Block for Extreme Temperature



* Dimensions available at PILLOW BLOCK HOUSINGS Pages

OPERATING RANGE: -50° / 350°C

ECONOMIC OPERATING RANGE: 250° / 350°C

Unit code	Bearing code	Housing code
UCFL 201 BHTS ZZ GR CG 350°	UC 201 BHTS ZZ GR CG 350°	FL 204 SS
UCFL 202 BHTS ZZ GR CG 350°	UC 202 BHTS ZZ GR CG 350°	FL 204 SS
UCFL 203 BHTS ZZ GR CG 350°	UC 203 BHTS ZZ GR CG 350°	FL 204 SS
UCFL 204 BHTS ZZ GR CG 350°	UC 204 BHTS ZZ GR CG 350°	FL 204 SS
UCFL 205 BHTS ZZ GR CG 350°	UC 205 BHTS ZZ GR CG 350°	FL 205 SS
UCFL 206 BHTS ZZ GR CG 350°	UC 206 BHTS ZZ GR CG 350°	FL 206 SS
UCFL 207 BHTS ZZ GR CG 350°	UC 207 BHTS ZZ GR CG 350°	FL 207 SS
UCFL 208 BHTS ZZ GR CG 350°	UC 208 BHTS ZZ GR CG 350°	FL 208 SS
UCFL 209 BHTS ZZ GR CG 350°	UC 209 BHTS ZZ GR CG 350°	FL 209 SS
UCFL 210 BHTS ZZ GR CG 350°	UC 210 BHTS ZZ GR CG 350°	FL 210 SS
UCFL 211 BHTS ZZ GR CG 350°	UC 211 BHTS ZZ GR CG 350°	FL 211 SS
UCFL 212 BHTS ZZ GR CG 350°	UC 212 BHTS ZZ GR CG 350°	FL 212 SS

OPERATING RANGE is the correct technical range in which can be used the bearing with good operating result.

ECONOMIC OPERATING RANGE is the range of temperature in which you can find, according to our study experience and know-how, the better relation price - quality life-time.