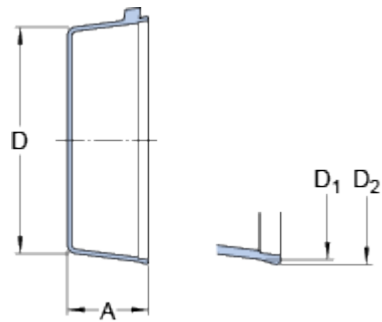


ECY 210

Dimensions



A	35.5	mm
D	85.8	mm
D ₁	94	mm
D ₂	95.5	mm

Mass

Mass end cover	0.03	kg
----------------	------	----