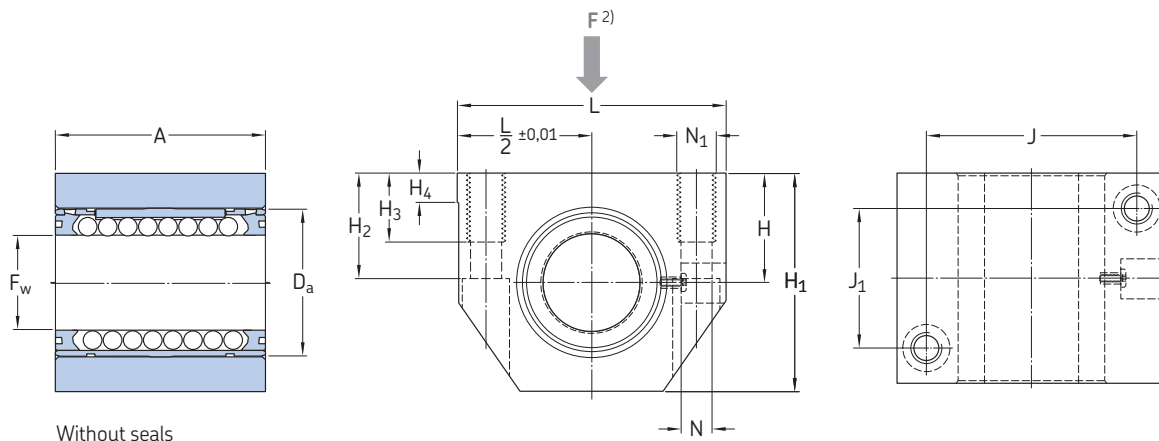


closed housing, can be relubricated, equipped with LBCD .. D bearing, self-aligning  
 F<sub>w</sub> 12 – 40 mm



Without seals

Dimensions														Basic load ratings				Mass	Designations	
F <sub>w</sub>	A	D <sub>a</sub>	H ±0,01	H <sub>1</sub>	H <sub>2</sub>	H <sub>3</sub>	H <sub>4</sub>	J	J <sub>1</sub>	L	N <sup>1)</sup>	N <sub>1</sub> <sup>1)</sup>	C min	max	C <sub>0</sub> min	max	Linear ball bearing unit without seals		with 2 double lip seals	
mm														N				kg	–	
<b>12</b>	32	22	18	35	16,5	11	6	32	23	43	4,3	M 5	800	1 220	570	930	0,098	<b>LUND 12 D</b>	<b>LUND 12 D-2LS</b>	
<b>16</b>	37	26	22	42	21	13	7	40	26	53	5,3	M 6	950	1 400	655	1 060	0,166	<b>LUND 16 D</b>	<b>LUND 16 D-2LS</b>	
<b>20</b>	45	32	25	50	24	18	7,5	45	32	60	6,6	M 8	1 730	2 550	1 120	1 800	0,268	<b>LUND 20 D</b>	<b>LUND 20 D-2LS</b>	
<b>25</b>	58	40	30	61	29	22	8,5	60	40	78	8,4	M 10	2 600	3 800	1 430	2 320	0,556	<b>LUND 25 D</b>	<b>LUND 25 D-2LS</b>	
<b>30</b>	68	47	35	70	34	22	9,5	68	45	87	8,4	M 10	3 800	5 600	2 320	3 750	0,78	<b>LUND 30 D</b>	<b>LUND 30 D-2LS</b>	
<b>40</b>	80	62	45	90	44	26	11	86	58	108	10,5	M 12	6 550	9 650	3 350	5 700	1,43	<b>LUND 40 D</b>	<b>LUND 40 D-2LS</b>	

Upon request LUND .. D linear ball bearing units are available with ball bearings in stainless steel execution. Designation: e.g. LUND 20 D-2LS/HV6.

For suitable shaft blocks LSCS/LSNS for these bearing units → *Linear bearings and units* (4182 EN).

<sup>1)</sup> For cylindrical screws with internal hexagon to DIN 912 / ISO 4762.

<sup>2)</sup> Direction for max. load ratings