

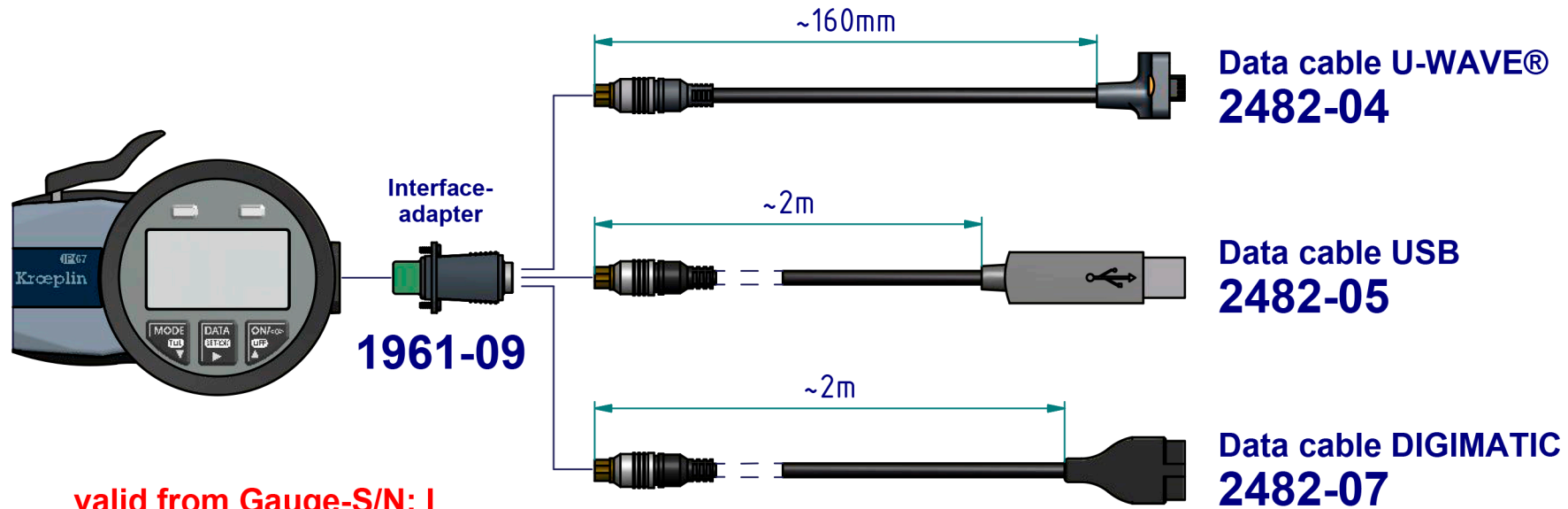
subject to technical alterations

**type:** C  
**range:** 0 - 10 mm  
**range of indication:** 0 - 10,5 mm  
**digital step:** 0,005 mm  
**scale interval:** -  
**measuring force:** 1,2 - 1,6 N  
**weight:** 240 g

acceptable deviations  
 VDI/VDE/DGQ 2618 Bl. 12.1/13.1)  
**max. permissible**  
**errors "G":** 0,015 mm  
**repeatability "r":** 0,005 mm  
**reference temperature:** 20° C  
**operation temperature:** 10° C - 30° C  
**storage temperature:** -10° C - 50° C

**scale:** 1:1  
**drawing-nr.:** DAB-C110S\_KR\_e  
**date of issue:** 19.03.09  
**name:** T.Koenig  
**revision status:** 2000  
**revision date:** 04.09.2012

interface as accessories available:



**valid from Gauge-S/N: I**  
**Always specify serial number**  
**when ordering Interfaces or accessories!**

subject to technical alterations

drawing-nr.:	DAB-C110S_KR_e
date of issue:	19.03.09
name:	T.Koenig
revision status:	2043
revision date:	24.02.12